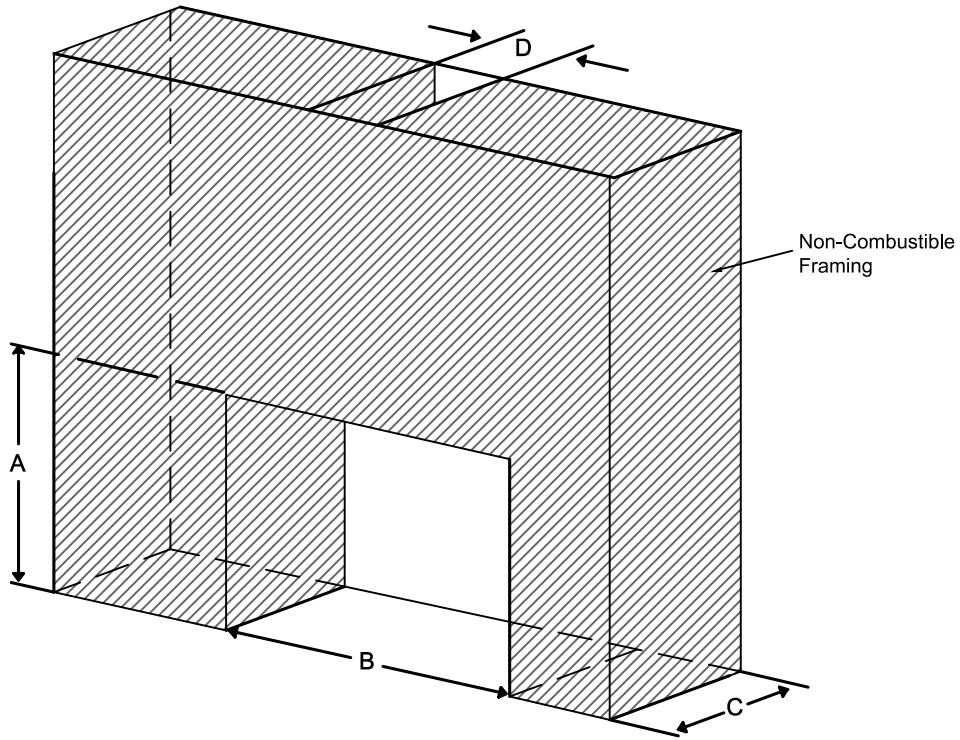


## Framing Information: 60H FR OD (Screen)



### Minimum Framing Dimensions



| Model     | A                  | B                  | C                  | D  |
|-----------|--------------------|--------------------|--------------------|--|
| 60H Front | 45 $\frac{7}{8}$ " | 69 $\frac{3}{8}$ " | 22 $\frac{1}{4}$ " | Refer to Vent Manufacturer's Firestop Dimensions |

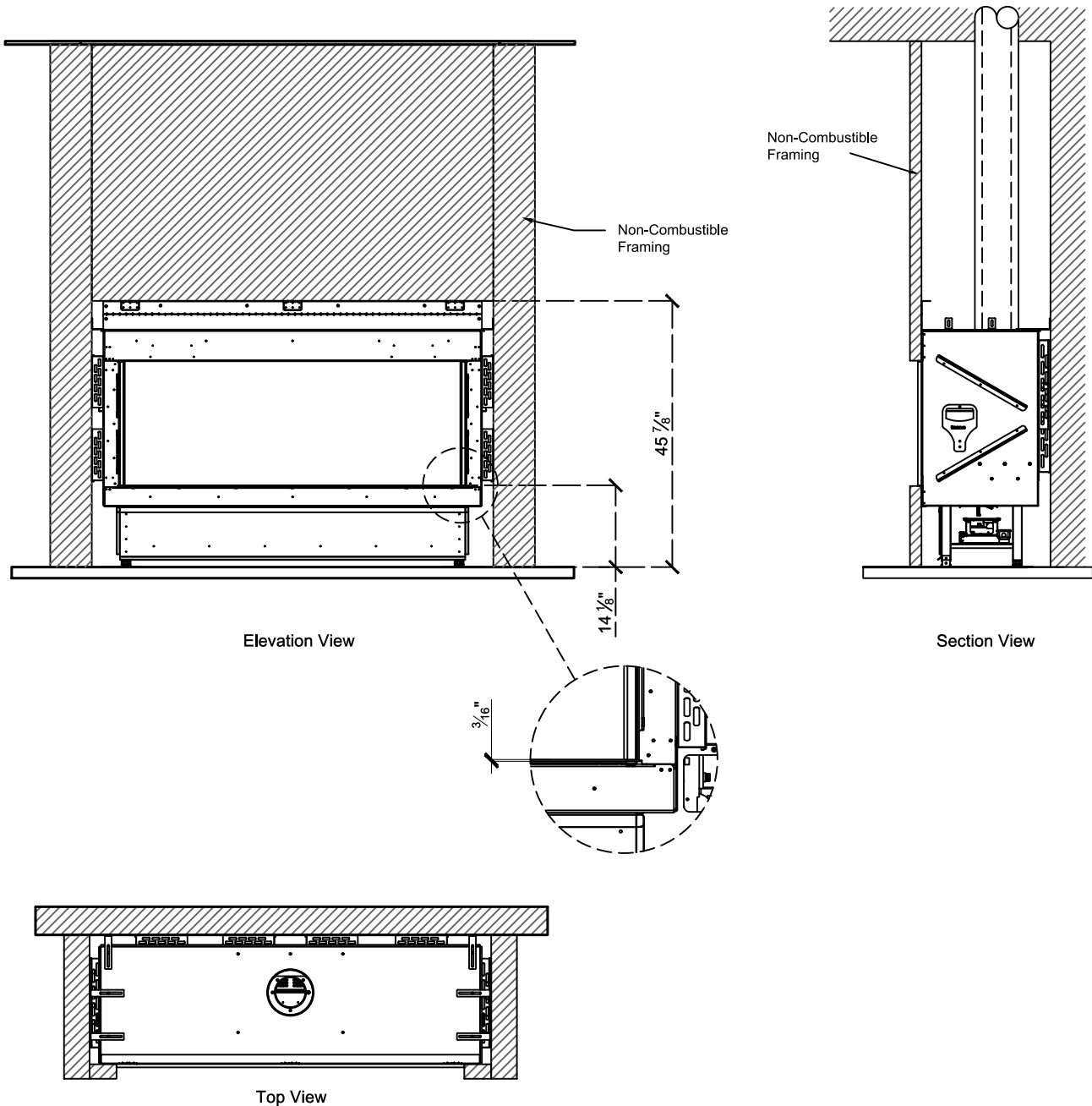
**Note :**

1. Drawings are not to Scale
2. All dimensions in inches
3. No weight can be transferred to the fireplace. **ALL FRAMING MUST BE SELF-SUPPORTED.**

# Framing Information: 60H FR OD (Screen)



## Framing Details

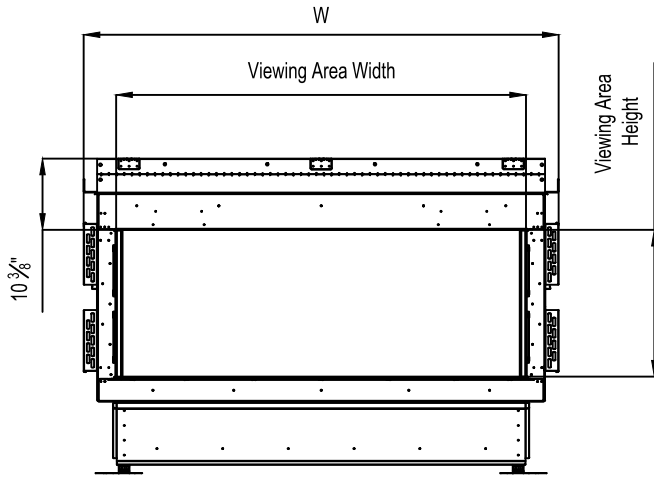


- Note :
1. Drawings are not to Scale
  2. All dimensions in inches
  3. No weight can be transferred to the fireplace. ALL FRAMING MUST BE SELF-SUPPORTED.

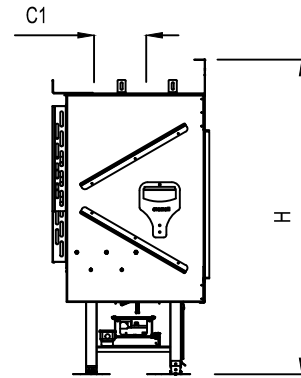
## Framing Information: 60H FR OD (Screen)



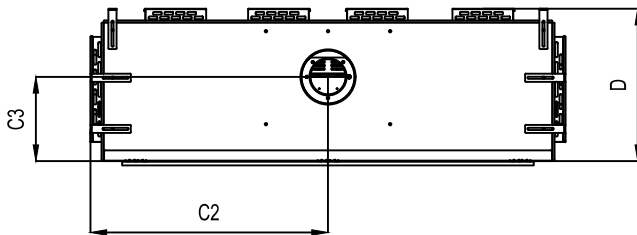
### Fireplace Dimensions



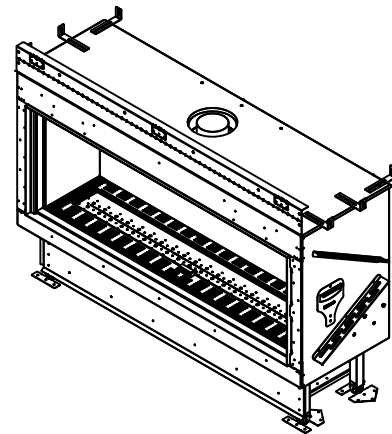
Front View



Side View



Top View



| Model     | (H) Height | (W) Width | (D) Depth | C1     | C2      | C3      | Viewing Area          |      |
|-----------|------------|-----------|-----------|--------|---------|---------|-----------------------|------|
|           |            |           |           |        |         |         | Front                 | Side |
| 60H Front | 45 7/8"    | 69 3/8"   | 22 1/4"   | 7 7/8" | 34 3/4" | 12 3/8" | 60 1/8" W X 21 5/8" H | —    |

Note : 1. Drawings are not to Scale  
2. All dimensions in inches