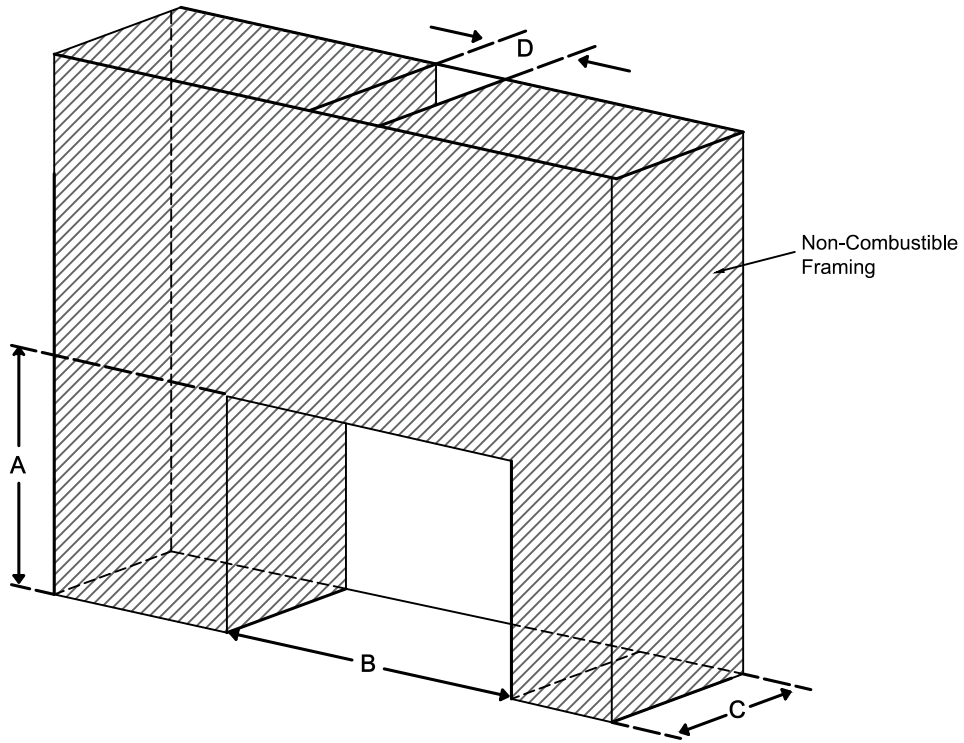


Framing Information: TR 90 OD (Screen)



Minimum Framing Dimensions



Model	A	B	C	D
TR 36	44 $\frac{7}{8}$ "	51 $\frac{3}{4}$ "	26 $\frac{1}{2}$ "	Refer to Vent Manufacturer's Firestop Dimensions

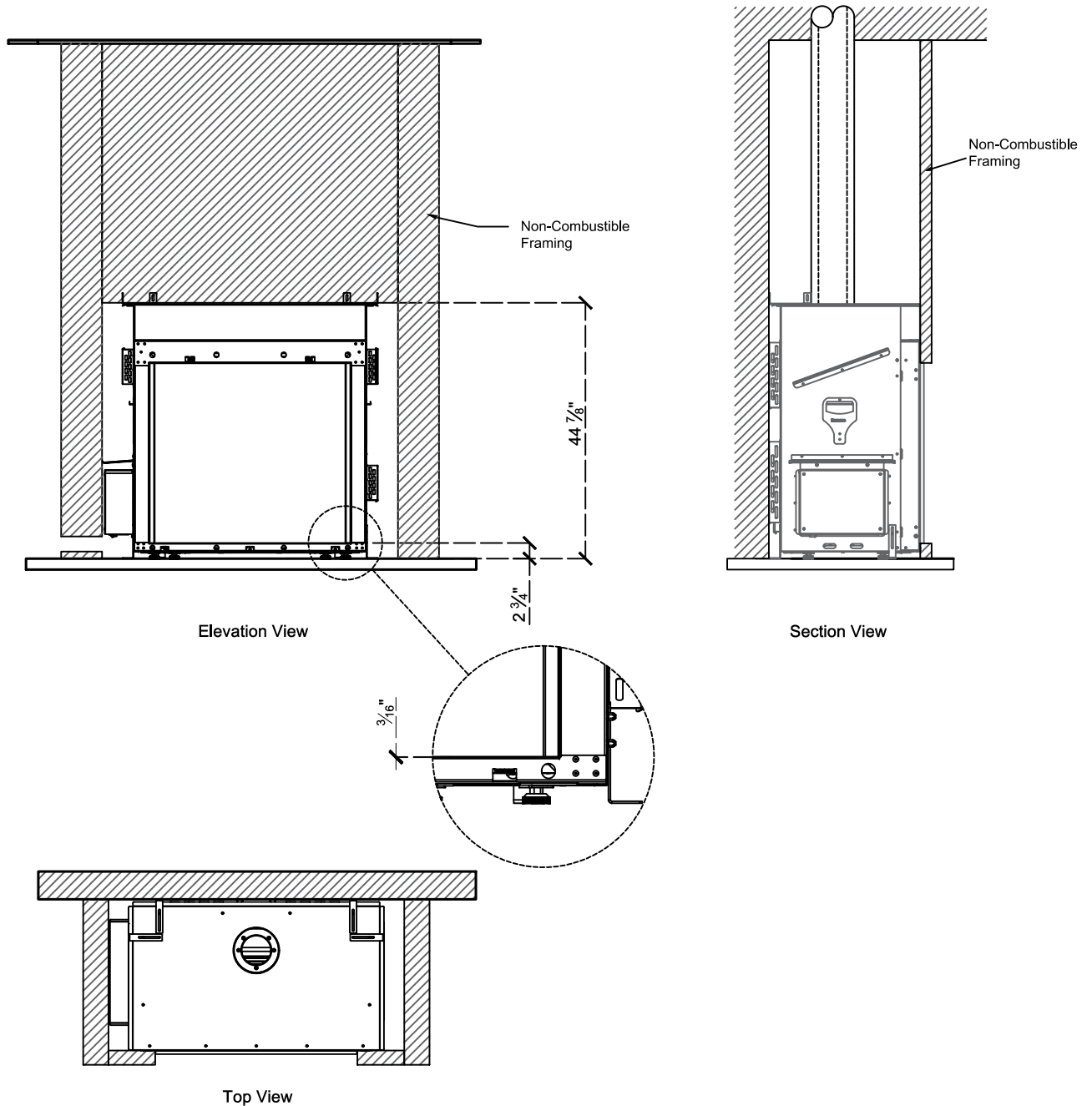
Note :

1. Drawings are not to Scale
2. All dimensions in inches
3. No weight can be transferred to the fireplace. **ALL FRAMING MUST BE SELF-SUPPORTED.**

Framing Information: TR 36 OD (Screen)

ORTAL
YOUR LIFE. YOUR FIRE

Framing Details

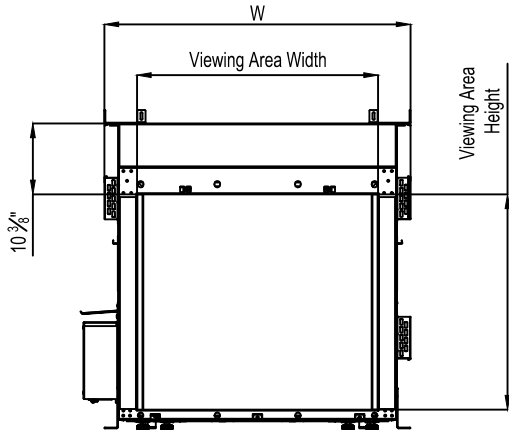


- Note :
1. Drawings are not to Scale
 2. All dimensions in inches
 3. No weight can be transferred to the fireplace. ALL FRAMING MUST BE SELF-SUPPORTED.

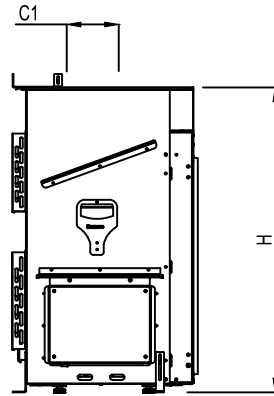
Framing Information: TR 36 OD (Screen)



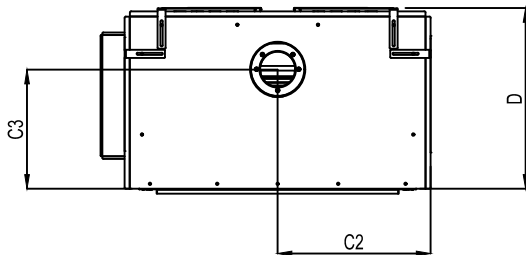
Fireplace Dimensions



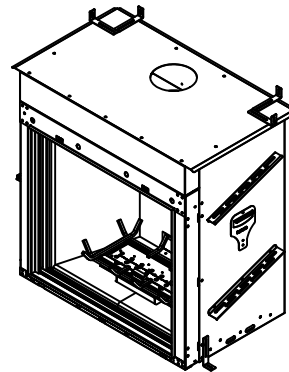
Front View



Side View



Top View



Model	(H) Height	(W) Width	(D) Depth	C1	C2	C3	Viewing Area	
							Front	Side
TR 36	44 ⁵ / ₈ "	44 ³ / ₄ "	26 ¹ / ₂ "	7 ⁷ / ₈ "	22 ³ / ₈ "	17 ⁵ / ₈ "	35 ³ / ₈ " W X 31 ⁵ / ₈ " H	—

Note : 1. Drawings are not to Scale
 2. All dimensions in inches