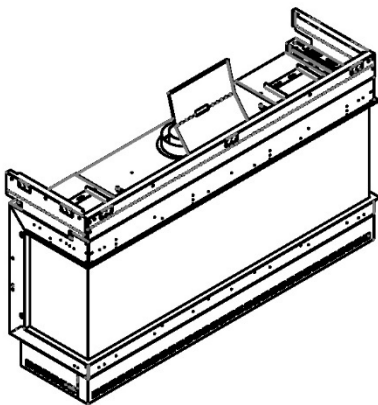
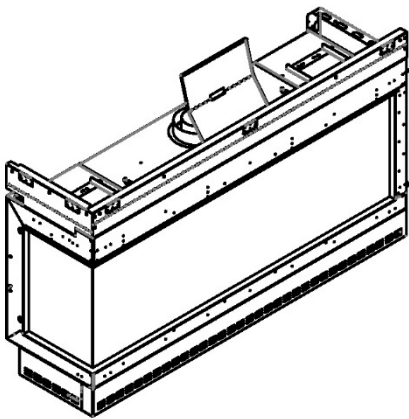
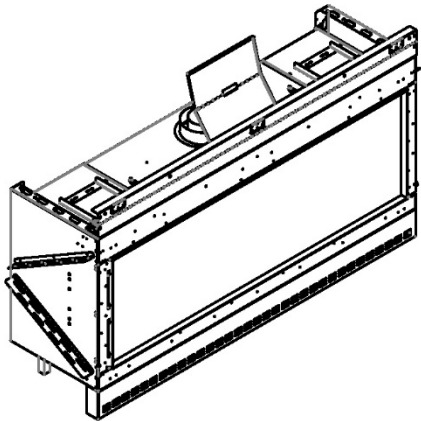


ORTAL®

Installation and Operation Manual Ortal 77 Series



⚠ WARNING:

FIRE OR EXPLOSION HAZARD
Failure to follow safety warnings exactly could result in serious injury, death, or property damage

- **DO NOT** store or use gasoline or other flammable vapors and liquids in the vicinity of this or any other appliance.
- **What to do if you smell gas:**
 - **DO NOT** try to light any appliance.
 - **DO NOT** touch any electrical switch. **DO NOT** use any phone in your building.
 - Leave the building immediately.
 - Immediately call your gas supplier from a neighbor's phone. Follow the gas supplier's instructions.
 - If you cannot reach your gas supplier, call the fire department.
- Installation and service must be performed by a qualified installer, service agency, or the gas supplier.

! DANGER



**HOT GLASS WILL
CAUSE BURNS.**

**DO NOT TOUCH GLASS
UNTIL COOLED**

**NEVER ALLOW CHILDREN
TO TOUCH GLASS.**

A barrier designed to reduce the risk of burns from the hot viewing glass is provided with this appliance and must be installed for the protection of children and other at-risk individuals

Ortal 77 Series Fireplaces:

- 77 Front Facing
- 77H Front Facing
- 77 Corner (RS/LS)
- 77H Corner (RS/LS)
- 77 Three Sided (TS)
- 77H Three Sided (TS)



General

Safety Information and Warnings

IMPORTANT NOTE: LOCAL CODE

Local codes and regulations that are more stringent than the requirements in this manual take precedence over Ortal requirements.

WARNING: REVIEW ALL WARNINGS

Be sure to review all safety warnings and installation guidelines contained in this manual. Consider installation location, vent configuration, clearances, structural requirements, framing and finish materials, and local codes. ALL warnings and instructions apply to all products manufactured and distributed by Ortal.

WARNING: DO NOT OPERATE FIREPLACE IF:

The glass is NOT properly secured in place; Connection points are not sealed (for fireplaces with glass-to-glass connections); Glass is cracked; You smell gas; Any part of the fireplace has been under water; You have any doubt about safe operation of the fireplace. Immediately call a qualified, professional service technician to inspect the fireplace and to replace any parts of the control system and any gas controls which have been under water.

WARNING: ELECTRICAL GROUNDING

All electrical connections must be properly installed, insulated, and secured to avoid potential **ELECTRICAL SHOCK** and **FIRE HAZARD** and malfunction of the system. Consult local building code requirements. In the absence of local codes, refer to the National Electric Code, ANSI/NFPA 70, or the Canadian Electric Code, CSA C22.1.

WARNING: MATERIAL USAGE

All materials and objects used to carry out the installation must be certified/approved or specified by Ortal and are suitable for use. Do NOT install the system with different materials or objects than those approved for installation by Ortal.

WARNING: INSTALLATION AND SERVICE

Installation and repairs on the fireplace and vent system must be done by an authorized Ortal qualified installer service agency or gas supplier. If these components are not installed by an authorized Ortal dealer/installer, the warranty of all components will be void and Ortal will not be responsible for any damage caused by improper installation. The fireplace should be inspected before use and at least annually by a professional service person. More frequent cleaning may be required due to excessive lint from carpeting, bedding material, etc. Control compartments, burners and circulating air passageways of the fireplace must be kept clean. Any alteration to the product can cause soot or carbon to form and may result in damage. This damage and any other damage that results from not following the instructions outlined in this manual is not the responsibility of Ortal.

WARNING: HEAT BARRIER

A barrier designed to reduce the risk of burns from hot viewing glass is provided with this fireplace and shall be installed. The fireplace **MUST** not be used without the heat barrier in place. If the barrier becomes damaged, the barrier shall be replaced with the manufacturer's barrier for this fireplace. **Any safety screen, guard, or barrier removed for servicing the fireplace must be replaced before operating.**

WARNING: FIREPLACE TEMPERATURE

Due to hot temperatures, the fireplace should be located out of traffic and away from furniture and draperies. Children and adults should be alerted to the hazards of high surface temperature and should stay away to avoid burns or clothing ignition. Clothing or other flammable material should not be placed on or near the fireplace. **Young children should be carefully supervised when they are in the same room as the fireplace.** Toddlers, young children, and others may be susceptible to accidental contact burns. A physical barrier is recommended if there are at-risk individuals in the house. To restrict access to a fireplace or stove, install an adjustable safety gate to keep toddlers, young children, and other at-risk individuals out of the room and away from hot surfaces.

WARNING: GLASS HANDLING

Only an Ortal certified installer is authorized to remove the glass using an 8-inch glass-handling suction cup.

WARNING: INSTALLATION AND OPERATION

The fireplace and accompanying components must be installed as an OEM installation in manufactured homes (USA only) or an aftermarket permanently located, or a mobile home, where not prohibited by local codes. The fireplace must be installed in accordance with the Manufacturer's instructions and the Manufactured Home Construction and Safety Standard, Title 24 CFR, Part 3280, in the United States, or the Standard for Installation in Mobile Homes, CAN/CSA Z240 MH Series, in Canada. **Exceeding the restrictions imposed in these instructions may result in a fire or explosion, causing property damage, personal injury, or loss of life. Ortal will not be responsible for any damage caused by improper installation. Do not store or use gasoline or other flammable vapors and liquids near this fireplace.**

WARNING: GAS FIREPLACE

This fireplace is for use only with the type of gas indicated on the rating plate. These fireplaces are not convertible for use with other gases unless a certified kit is used, and the conversion is performed by an authorized and qualified technician. Applicable standards are Vented Gas Fireplace Heaters ANSI Z21.88 / CSA 2.33a and Gas-fired Fireplaces for Use at High Altitudes CAN/CGA 2.17-M91

WARNING: CALIFORNIA PROP 65

These products and the fuels used to operate these products (liquid propane or natural gas), and the products of combustion of such fuels, can expose you to chemicals including benzene, carbon monoxide, and ceramic fibers, which are known to the state of California to cause cancer and/or reproductive harm. For more information, visit www.p65warnings.ca.gov.

Table of Contents

“→” Denotes crucial new or updated information.

General	2
Safety Information and Warnings	2
Product Information	5
Models	5
Certification	5
Rating Label	6
Stand-Offs	7
Installation	8
Prior to Installation	8
Locate the Fireplace	8
Fireplace Installation	8
Planning	8
Installation	8
Startup	9
Post-Installation	9
Initial Burning Period	9
Final Inspection Procedure	9
Final Checks and User Instruction	9
Building Around the Fireplace	10
Building Checklist	10
Framing	11
Framing Requirements	11
5/8" Type X Drywall Requirements	11
Chase Floor/Platform	11
Framing Dimensions	12
General Clearances	15
Heat Release	15
Air Intake Opening	18
Mounting a TV/Artwork	20
Access Panel	22
Protective Cover for Double Glass Fans	22
Chase Area Minimum	22
Recessed Ledge Detail	22
Structural Weight Support	24
Finishing	25
Flush Installation	25
Recessed Installation	26
Maximum Overhang/Mantel Depth	26
Venting	27
General Venting Requirements	27
Vent Configurations	28
Vent Restrictor Sizing Guidelines	30
Vent Clearances	30
Vent Termination	31
Horizontal Termination Clearance Diagram	31
Vertical Termination Clearance Diagram	33
Chimney Shroud	34
Vent Installation	34
Vent Maintenance	34
Gas	35
Gas Pressures	35
Routing the Gas Line	35
Gas Conversion	36
High Altitude Requirements	36
→Gas and Electrical Components	37
Electrical	38
Electrical Requirements	38
Pairing the Remote and Receiver	38

→Wiring Diagrams	39
Home Automation Wiring Diagram	43
Interior Design Media	43
Media Placement Guidelines	44
Glass Media Placement	44
Stone Media Placement	44
Log Media Placement	45
Operation	46
10-Button Remote Control Handset	46
Operating Instructions	46
Puck Handset	47
Operating Instructions	48
Wall Switch	49
Operating Instructions	49
Fireplace Maintenance	50
General Maintenance	50

Product Information

Models

Series	Models	Burner	Certification Standard	Gas Types	Direct Venting
77	77 Front 77 RS 77 LS 77 TS 77H Front 77H RS 77H LS 77H TS	160 Single	US: ANSI Z21.88-2019 Canada: CSA 2.33-2019	Natural Gas or Propane	Standard Type: Passive Vent Vent Size: 5"x8" (co-axial)
					Optional Type: Power Vent Vent Size: 3"x5" (co-axial)

NOTES:

- For more information on Power Venting, please refer to the Power Vent System Installation and Operation Manual.
- Venting is not supplied by Ortal with the fireplace. The fireplace is certified to be used with, and can be obtained from, the vent manufacturers outlined in "General Venting Requirements" section.

Certification

77 series fireplaces have been tested and approved by CSA Group for safety and efficiency for use with Natural Gas (NG) and Propane (LP) only, and **NOT** for use with solid fuels.

CSA Group is approved by the American National Standards Institute (ANSI) as an Accredited Standards Developer.

Certification Standard:

US: ANSI Z21.88 – 2019: Vented Gas Fireplace Heaters

Canada: CSA 2.33 – 2019: Vented Gas Fireplace Heaters



Products:

CLASS 2901 84: DOMESTIC HEATERS (GAS) Vented Fireplace: Certified to US Standard

CLASS 2901 04: DOMESTIC HEATERS (GAS) Vented Fireplace

The fireplaces are permitted for indoor use only. "Indoor" is defined as a conditioned space. The fireplaces are not approved for outdoor or partial outdoor installation. The fireplaces must be installed while maintaining required clearances. Installation is recommended in living spaces such as bedrooms, living rooms, great rooms, etc. The fireplaces are not approved for closet installation. The fireplace must be installed according to Ortal requirements in addition to any local codes that may apply, such as USA: ANSI Z223.1/NFPA 54, Canada: CSA B149.

IMPORTANT:

- Consult the authority having jurisdiction to determine the need for a permit prior to starting the installation.
- It is the responsibility of the fireplace dealer and installer to ensure that this fireplace is installed and framed in compliance with these instructions and all applicable codes.
- Before starting, take careful note of **ALL** the **WARNINGS** in this manual.

Rating Label


The fireplace rating label is found on a metal plate separate included with the fireplace.




DEALERS/INSTALLERS:

You **MUST** leave the fireplace's rating label with the fireplace in an area easily accessible by the owner (typically near the access panel, if available). You must instruct the owner before handing over the fireplace where this label can be found.

OWNERS:

Make sure the installer leaves your fireplace's rating label in an area that is easily accessible for you. This information is required for servicing and receiving replacement parts.



Manufacturer/Fabricant
 Ortal Ltd.
 14 Maharash St. Hod Hasharon, 4524087
 Israel
 Tel: 011-972-9-7402828
 Fax: 011-972-9-7402687

ORTAL
 LYRIC

Serial No.:

Approved By: CSA No.: 2358468
 Homologué Par:

For use only with vent, glass and interior design media certified and approved for use with the appliance. Not for use with solid fuel. For use with barriers certified for this appliance only.

Utilisez uniquement avec des conduits, des panneaux vitrés et des accessoires décoratifs intérieurs homologués et approuvés pour une utilisation avec cet appareil. Pas pour l'usage avec le combustible solide. Pour une utilisation avec des barrières certifiées pour cet appareil uniquement.

Tested to: CSA/ANSI Z21.88-2019 • CSA 2.33-2019 for Vented Gas Fireplace Heater
 Examiné à: CSA/ANSI Z21.88-2019 • CSA 2.33-2019 pour Poêles-foyers ventilés

Altitude rating: Estimation d'altitude:	0-2000 ft. / 0-610 m.	Electrical Rating: Estimation Électrique:	120 volt / 60 Hz / less than 5A
--	-----------------------	--	---------------------------------

Model Series / Modèle Séries: 77-98 With Burner 160

Clear 77 RS/LS/TS/Tunnel
 Clear 98 RS/LS/TS/Tunnel
 Space Creator 77
 Clear 77H RS/LS/TS/Tunnel
 Clear 98H RS/LS/TS/Tunnel
 Space Creator 77H
 Clear 77HH RS/LS/TS/Tunnel
 Clear 98HH RS/LS/TS/Tunnel

Fuel Type/Type de combustible:	<input type="checkbox"/> NG/GN		<input type="checkbox"/> PROPANE	
	Single Orifice	Double Orifice	Single Orifice	Double Orifice
Max Input / Débit max. (BTU/HR):	51,277	58,200	51,011	37,500
Min Input / Débit min. (BTU/HR):	27,467	27,454	24,329	26,829
Orifice Size / Taille de l'orifice:	1,400	800R+650F	500	220R+220F
Gas Inlet Pressure (W.C.) inches: Pression d'entrée de gaz (CE) pouces:	7.0	7.0	11.0	11.0
Gas manifold Pressure (W.C.) inches: Pression d'alimentation (CE) pouces:	4.5	6.0	10.6	10.2

Clearances to Combustibles (with included standoffs): Espace par rapport aux matériaux inflammables (avec entretoises inclus):	Sides: Côtés:	0"	Back: Arrière:	0"	In front of Glass Devant le panneau vitré:	16"
--	------------------	----	-------------------	----	---	-----

Also adhere to clearance diagrams and instructions included in the ORTAL manual.
 Adhérer également aux schémas d'espacement et des instructions figurant dans le manuel ORTAL.

SKU: M209-B160DS-IN-22

77 Series Rating Label

Stand-Offs

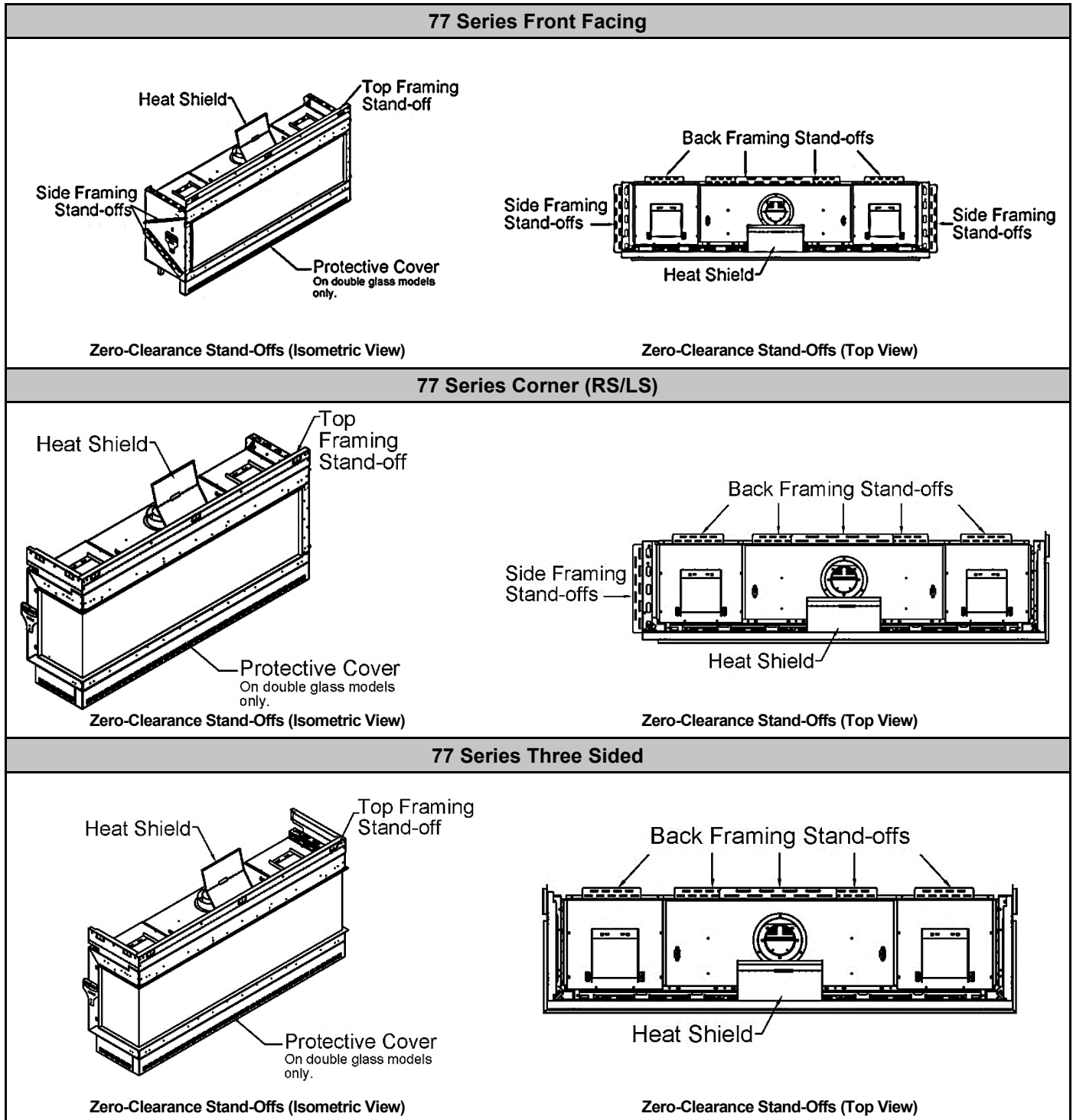
The fireplace has stand-offs fastened to the body of the fireplace as shown in the figures below. Stand-offs must be fully extended upon installation.

Heat Shield: Attached to the top front part of the fireplace. It is foldable at the attachment site on top of the fireplace and $\frac{2}{3}$ to the top of the shield. The heat shield serves to direct the heat coming out of the heat barrier vents at the top of the fireplace and maintains clearance to the vent pipe.

Side & Back Framing Stand-offs: Attached to the sides and back of the fireplace. These stand-offs keep enough distance from the fireplace to the framing to allow for proper airflow inside the chase. These stand-offs can directly touch combustible framing.

Top Framing Stand-offs: Attached to the front top portion of the fireplace above the glass viewing area. It keeps a clearance above the heat barrier vents on the top of the fireplace to ensure proper air flow inside the chase. The top of this stand-off can directly touch combustible framing. Any framing in front of the stand-off must be non-combustible.

Protective Cover: Attached under the bottom front part of the fireplace to protect the double glass fans during shipping and installation. This cover is present on double glass models only and needs to be removed after setting the unit in place. Screen models do not come with a protective cover.



Installation

Prior to Installation

Locate the Fireplace

Keep the following factors in mind when selecting a location for the fireplace:

- Fireplace clearance requirements (review “General Clearances” section).
- Heat release and air intake requirements (review “Heat Release” and “Air Intake Opening” sections).
- Adequate space for servicing.
- Access panel recommendations (review “Access Panel” section).
- Minimum vertical vent rise, allowed horizontal lengths, and number and orientation of elbows (review “Vent Configurations” section).
- Framing and finishing requirements (review “Framing” and “Finishing” sections).
- Floor or Platform requirements (review “Chase Floor/Platform” section).

Fireplace Installation

Use the following guidelines to ensure a smooth installation. The installation sequence is divided into three phases: Planning, Installation, and Startup.

Planning

Consult with the contractor and go over all requirements:

- Chase framing requirements.
- $\frac{5}{8}$ " Type X Drywall (or equivalent) requirements.
- Heat release requirements.
- Air Intake requirements (if applicable).
- Access panel size and location.
- Gas and electrical specs and location.
- Vent configuration.
- Finishing details.



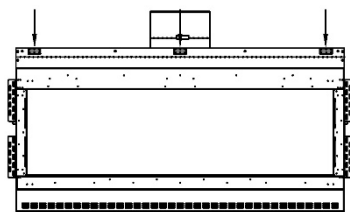
NOTE: Provide the contractor with a printed copy of the “Building Checklist” and review requirements with them.

Installation

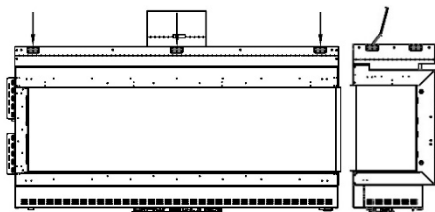
- Confirm the following items are properly located and built to specification:
 - Framing (with $\frac{5}{8}$ " Type X Drywall as applicable)
 - Platform
 - Gas and electrical
 - Access panel (if applicable)
 - Heat release
 - Air intake (if applicable)
- Clear a path free of any possible obstruction to carry in the fireplace.
- Uncrate the fireplace and set in place.
- Make sure all zero-clearance metal stand-offs on the outside of the fireplace are fully extended.
- Secure the fireplace to the framing by attaching the nailing flanges to the framing. See “Securing the Fireplace” section.
- Remove all zip ties.
- Optional: Remove gas and electrical components from metal shipping plate if desired.
- Move the components to the access panel location. Be mindful of the routing for future service needs.
- Install the vent components. See “Vent Installation” section.
- Review the front wall requirements and finishing details with the contractor.
- Protect the fireplace and components from damage.

Securing the Fireplace

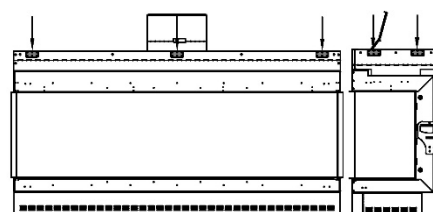
The fireplace has nailing flanges attached to the face of the fireplace (see figures below). The nailing flanges are to be attached into the framing upon installation. It is crucial to the finishing that the fireplace is stable, level, and plumb. For added stability (though not required), re-use the shipping brackets to secure the legs of the fireplace to floor/platform.



Nailing Flanges for Front Facing



Nailing Flanges for Corner (RS/LS)



Nailing Flanges for Three Sided

Vent Installation

Venting must be installed according to the requirements detailed in the “Venting” section of this manual in conjunction with the vent system manufacturer’s installation instructions. Venting must be supported by the structural surrounding and not by the fireplace. Each elbow must be strapped to reduce movement or possible disconnection.

The first section of venting must be secured to the fireplace starter collar with a minimum of 3 sheet metal screws no longer than 1/2". DO NOT use silicone to seal the sections. If sealing is required by the vent manufacturer or local code, use Mil-Pac sealant.

Startup

- Perform a visual inspection to confirm that all work was completed correctly and per specification.
- Confirm that gas and electrical are properly connected and live.
- Remove the safety barrier and glass and clean the inside of the fireplace.
- Place interior design media as specified in the "Interior Design Media" section.
- Confirm media is set up per specification.
- Confirm the fireplace is operating properly.
- Check remote-control setup.
- Remove protective layer from glass.
- Clean glass.
- Reinstall the glass and safety barrier.
- Review operation of the fireplace and remote control with the owner.
- Set up return visit to clean glass after the Initial Burning Period (see "Post-Installation" section below).

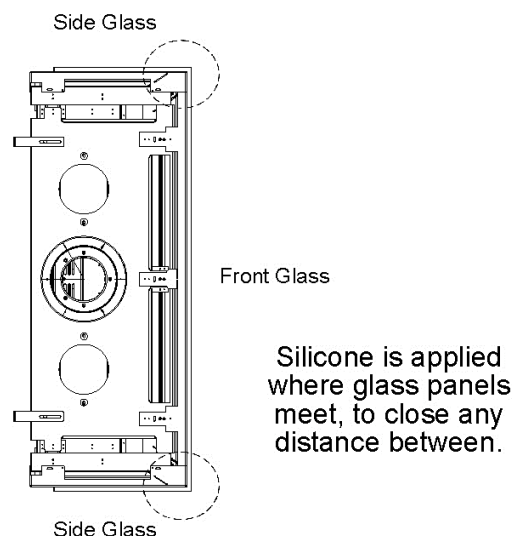
Working with Glass Panels

Inner glass panel is 5mm ceramic glass. For fireplaces with a double glass heat barrier, exterior glass panel is 3/16" tempered glass.

Silicone comes pre-applied to any glass-to-glass connections (multi-sided models), on both sides of the glass. Keep the following guidelines in mind when handling silicone and glass panels:

The purpose of the silicone is to create a gasket, not to "glue" the glass panels together. When placing glass panels, ensure that the glass is fully in place and that the silicone is filling the space between the glass panels. Place the front (or center) panel in place first and then slide the side panel into place so that the silicone edge touches the glass edge.

- Re-apply silicone only if the original silicone is damaged (Rutland 500° Clear Silicone is recommended).
- If new silicone is applied, cure time is 24 hours before operation of the fireplace.
- Do not use silicone to seal the glass after it is in place.
- Always use appropriate materials and cleaning agents to clean glass.
- Ammonia free glass cleaners and/or ceramic glass cleaners are recommended.



Post-Installation

Complete the following post-installation steps.

Initial Burning Period

There is a 12-hour minimum burning period following installation of the fireplace. This 12-hour period must include a minimum of 4 consecutive hours of continuous burning. During this time, the owner or installer may notice:

- The glass developing a white or "cloudy" residue.
- An unusual smell

Both the residue and the smell are due to the paint on the fireplace metal heating and "burning off". This is normal. The cloudiness and odor will disappear after the 12-hour period elapses and the installer returns to service the fireplace and complete startup.

Final Inspection Procedure

When the 12-hour burning period is complete, the installer must return and perform the final inspection, which includes:

- Cleaning the glass with a ceramic glass cleaner (otherwise the white residue will remain)
- Checking the interior media setup
- Checking for gas leaks
- Adjusting the restrictor (if necessary)
- Performing an overall check to make sure that everything is working properly.

When these activities are complete, initial startup is concluded and the fireplace may be operated by the owner.

Final Checks and User Instruction

Before releasing the fireplace to the customer for use without installer supervision, the installer must ensure that the fireplace is burning correctly. In addition, the installer must review and explain the following to the owner:

- Safety warnings
- Fireplace operation
- Warranty requirements
- Maintenance requirements
- Glass is hot during and after operation.
- If any questions or concerns arise, owner must contact the local Ortol dealer/installer for support.

Building Around the Fireplace

Building Checklist

The following building checklist is a quick reference for a typical 77 series fireplace installation. This list is not exhaustive and does not supplement thorough review of the installation manual.

- ☑ **Fireplace Location:** Ensure the location allows for min. 16" clearance from viewing area to furniture and other combustibles. Make sure a clear path is established to allow the fireplace to be safely transported to installation location.
- ☑ **Exhaust Vent:** Confirm vent size (5"x8", or 3"x5" for Power Vent), vent clearance (1" on sides and bottom, 3" on top), vent configuration, and termination location.
- ☑ **Height from Floor:** Fireplace leg height is 9 ⁵/₈" (to the bottom of the lower drywall lip). Legs cannot be removed/altered. If desired viewing area location on the wall is higher than 9 ¹³/₁₆", a platform can be built for the fireplace to stand on.
- ☑ **Chase Floor/Platform:** Fireplace can stand on the chase floor or a platform. Floor or platform must be able to bear the weight of the fireplace. It can be constructed out of wood, concrete, metal, or any other solid materials (not required to be non-combustible).
- ☑ **Chase Construction:** No materials can be attached directly to the fireplace (exception: ⁵/₈" Type X Drywall). The area of the chase interior must be min. 200 square inches at any given point within the chase.
- ☑ **→Framing:** Adhere to minimum framing dimensions (or greater). *When constructing the framing for the fireplace, please add up to +.25" variance to each side, and the top, of the fireplace frame. This added variance will allow added space to maneuver and adjust the fireplace when setting it in the chase.* The first 10 ⁷/₁₆" above the top of the fireplace viewing area must always be non-combustible framing. For recessed fireplaces, do not exceed 12" max. front overhang depth limit. For Corner and TS models, side overhang has no limit. No material is permitted to extend past the metal lip surrounding the fireplace viewing area.
- ☑ **⁵/₈" Type X Drywall Requirements:** One layer of ⁵/₈" Type X Drywall (or equivalent) must be installed on the exterior of the chase framing. ⁵/₈" Type X Drywall (or equivalent) may be fastened to the top framing stand-off(s) only, with 1" self-tapping drywall screws 16" on center.
- ☑ **TV/Artwork:** TV/Art must be min. 4" above top of fireplace viewing area for flush-mounted TVs, and 12" for TVs recessed into the wall. First 10 ⁷/₁₆" min. above the viewing area must have non-combustible framing (top front metal stand-off + non-combustible studs).
- ☑ **Gas Supply Line and Power Location:** Locate gas line with manual shut off according to local code. Power provided by a duplex outlet receptacle (120V, 15 amp, 60Hz) in same area as gas line.
- ☑ **Access Panel:** An access panel is highly recommended to access gas and electrical components for servicing. Depending on the model, access panel can be placed at side or back of the fireplace within 3 feet of the pilot. Access panel, or some other form of clear access to the chase, is required for power-vented fireplaces. Size recommendation: as large as possible depending on application. Min. recommended size 10"x10".
- ☑ **Heat Release:** *Crucial for Cool Wall Technology.* Must start within 6" (max.) from the chase's ceiling. Min. horizontal heat release size is 200 sq.in. of net free air space. Height of the heat release must not exceed 1/3 of the width.
- ☑ **Air Intake:** Only required for double glass heat barrier. Must be located at or below level of double glass fans. Min. 200 sq.in. of net free air space.
- ☑ **Finishes:** For finishes flush to the fireplace, no clearances are required. For finishes where the fireplace is recessed to the finish, maintain ¹/₈" from the finish to the front face of the fireplace.

Framing

Framing Requirements

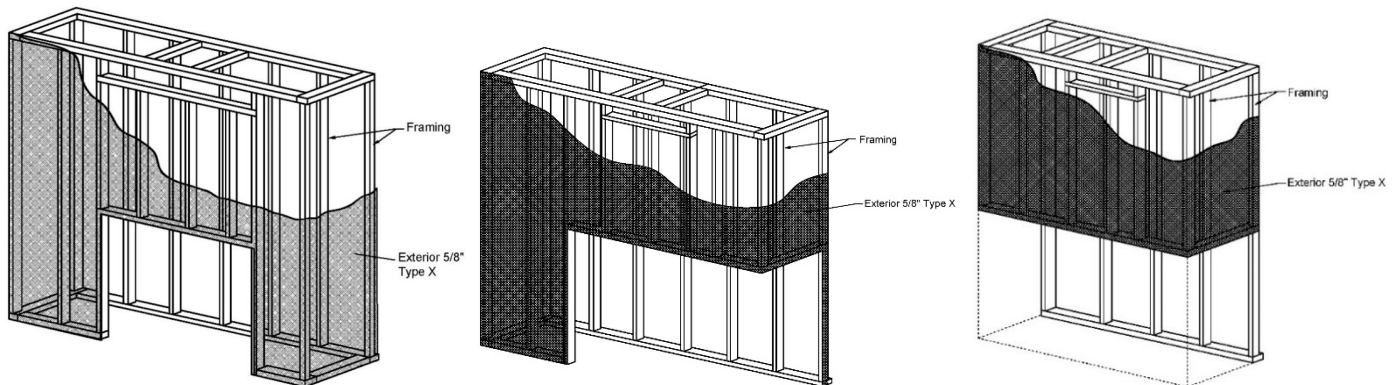
Fireplace chase may be framed with either combustible (typically wood studs) or non-combustible framing (typically metal studs). Any framing within $10\frac{7}{16}$ " from the top of the fireplace glass (viewing area) must be non-combustible. Any framing after that point may be combustible.

The framing of the fireplace chase must be designed to carry the entire weight of the wall and finish material. Surrounding material must not transfer weight to the fireplace or be connected in any way to the fireplace, with the exception of $\frac{5}{8}$ " Type X drywall or its equivalent. **$\frac{5}{8}$ " Type X drywall may be fastened to the top framing stand-offs only, with 1-inch self-tapping drywall screws.**

No material is permitted to extend past the $\frac{5}{8}$ " deep metal drywall lip surrounding the fireplace viewing area. This area must be unobstructed to allow the heat barrier and inside glass panel to be removed.

$\frac{5}{8}$ " Type X Drywall Requirements

Exterior of the framing must be covered with $\frac{5}{8}$ " Type X Drywall (or equivalent). Chase interior does not require a layer of $\frac{5}{8}$ " Type X Drywall. This applies to both combustible and non-combustible framing.



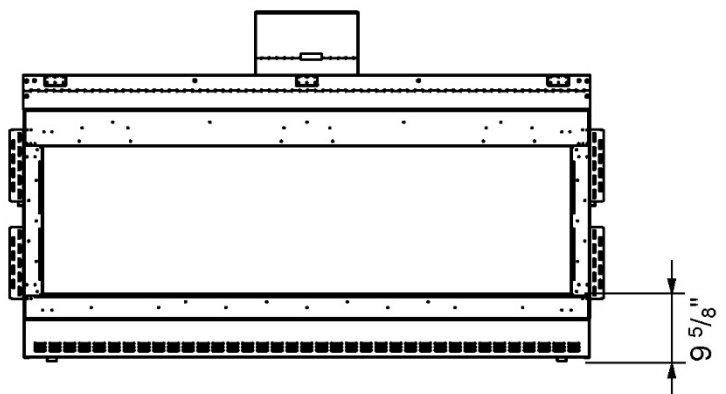
NOTE: $\frac{5}{8}$ " Type X Drywall (or equivalent) is not required on the exterior portion of an insulated outside-facing wall.

Chase Floor/Platform

The fireplace must be installed on a flat, solid, continuous surface. Surface can be wood, concrete, metal, and other typical solid floor types. Surface material is not required to be non-combustible.

Fireplace leg height is $9\frac{5}{8}$ ", measured to the bottom of the lower drywall lip. Legs cannot be removed, cut, or adjusted.

Raised Platform Option: To raise the fireplace higher than $9\frac{13}{16}$ " height (measured to the bottom of the viewing area), build a platform for the fireplace to stand on. Platform must be stable and able to bear the full weight of the fireplace. Platform can be constructed out of wood, concrete, metal, or any other solid materials. Platform material is not required to be non-combustible.



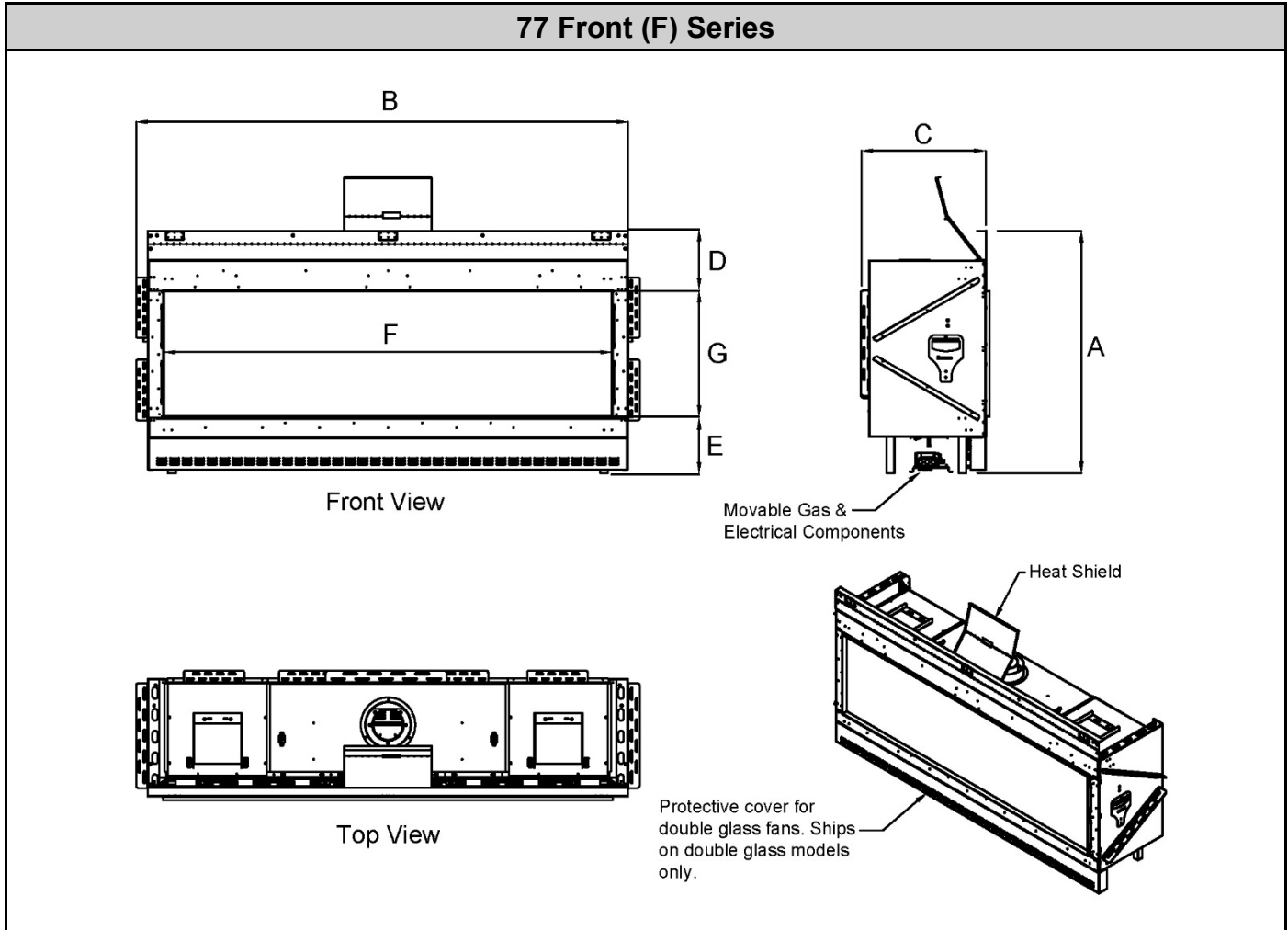
Fireplace Leg Height

NOTE: For fireplaces with the double glass heat barrier, an air intake might be necessary to incorporate into the platform depending on the design. See "Air Intake for a Platform" section for details.

Framing Dimensions

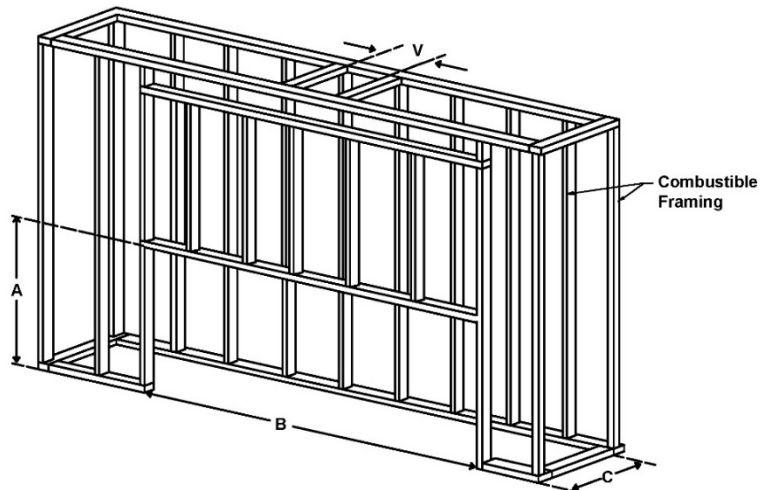
The following framing information applies to combustible and non-combustible framing material. The diagrams presented are for illustrative purposes only. There are multiple approved framing scenarios. A flush application is not the only permitted application. The fireplace may be recessed into the wall. Refer to diagrams and values below and in the following pages for details.

******When constructing the framing for the fireplace, please add up to +.25" variance to each side, and the top, of the fireproof frame. This added variance will allow added space to maneuver and adjust the fireplace when setting it in the chase.

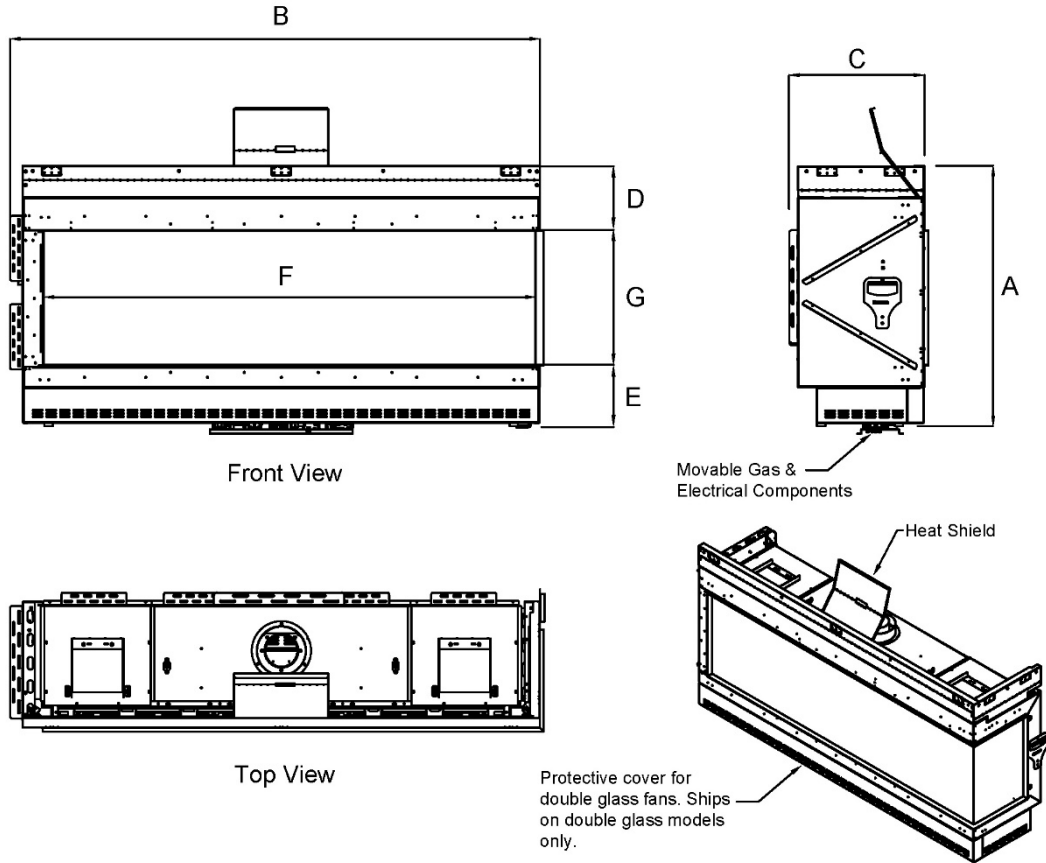


Fireplace	A: Height	B: Length	C: Depth	D: Stand-Off	E: Legs	F: Glass Length	G: Glass Height
77 F	35 3/4"	86 3/4"	21 5/8"	10 7/16"	9 5/8"	77 1/2"	15 3/4"
77H F	41 11/16"	86 3/4"	21 5/8"	10 7/16"	9 5/8"	77 1/2"	21 5/8"

Framing		
Fireplace	77 F	77H F
A: Height	35 3/4"	41 11/16"
B: Length	86 3/4"	86 3/4"
C: Depth	21 5/8"	21 5/8"
V: Firestop	Refer to pipe manufacturer's firestop dimensions	

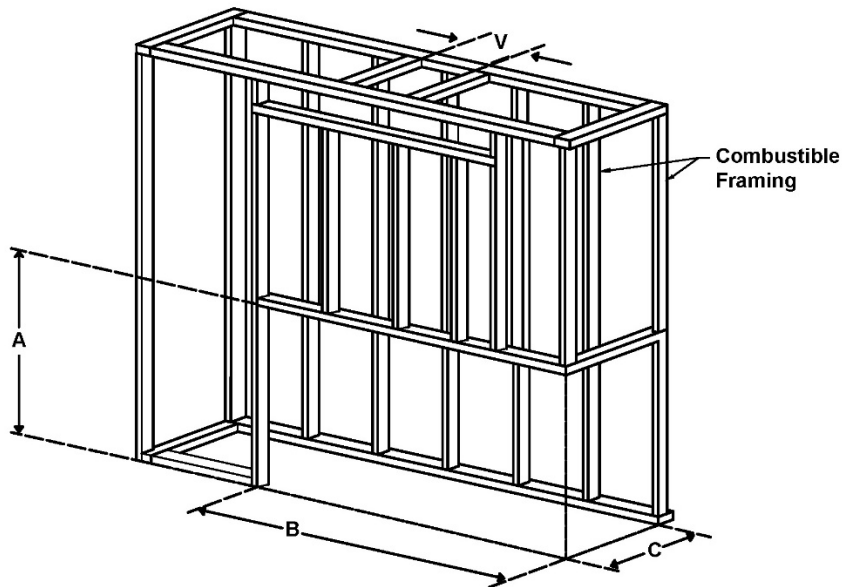


77 Corner (RS/LS) Series

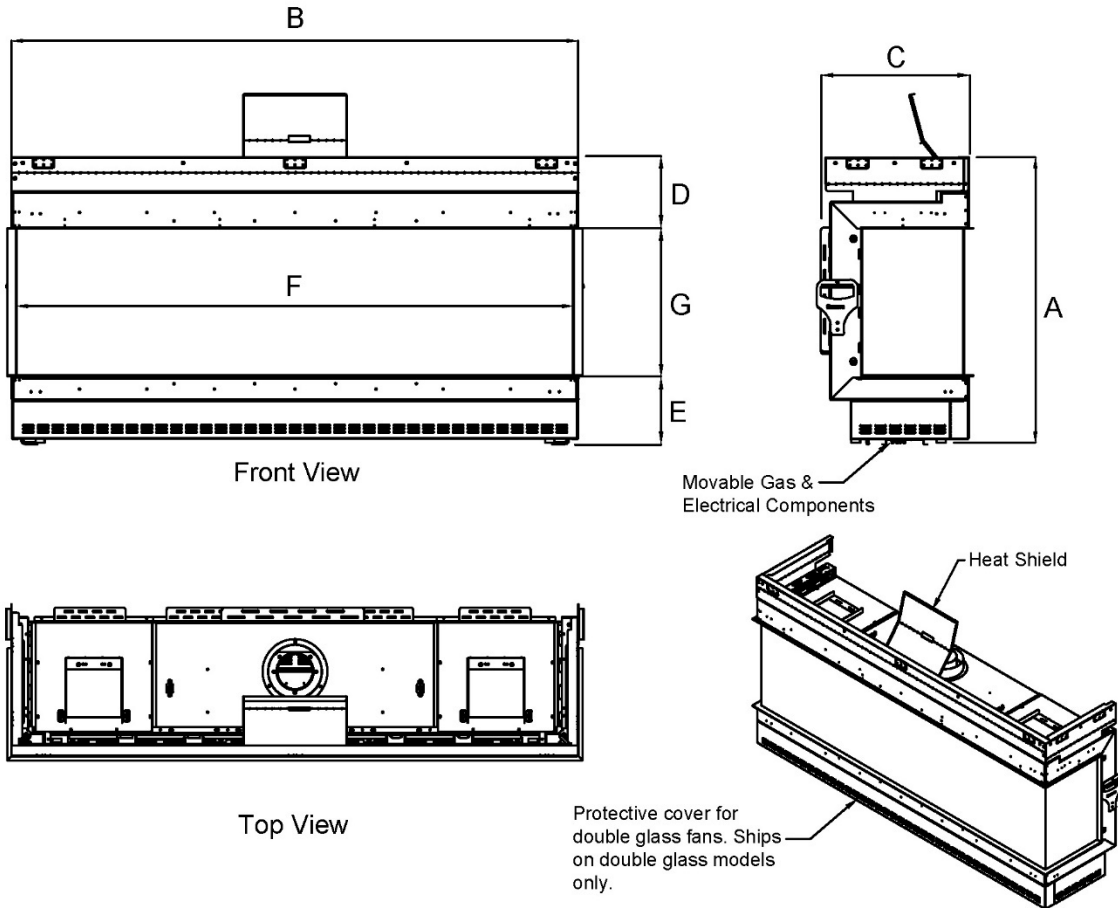


Fireplace	A: Height	B: Length	C: Depth	D: Stand-Off	E: Legs	F: Glass Length	G: Glass Height
77 RS/LS	35 3/4"	84 13/16"	21 5/8"	10 7/16"	9 5/8"	78 3/4"	15 3/4"
77H RS/LS	41 11/16"	84 13/16"	21 5/8"	10 7/16"	9 5/8"	78 3/4"	21 5/8"

Framing		
Fireplace	77 RS/LS	77H RS/LS
A: Height	35 3/4"	41 11/16"
B: Length	84 13/16"	84 13/16"
C: Depth	21 5/8"	21 5/8"
V: Firestop	Refer to pipe manufacturer's firestop dimensions	

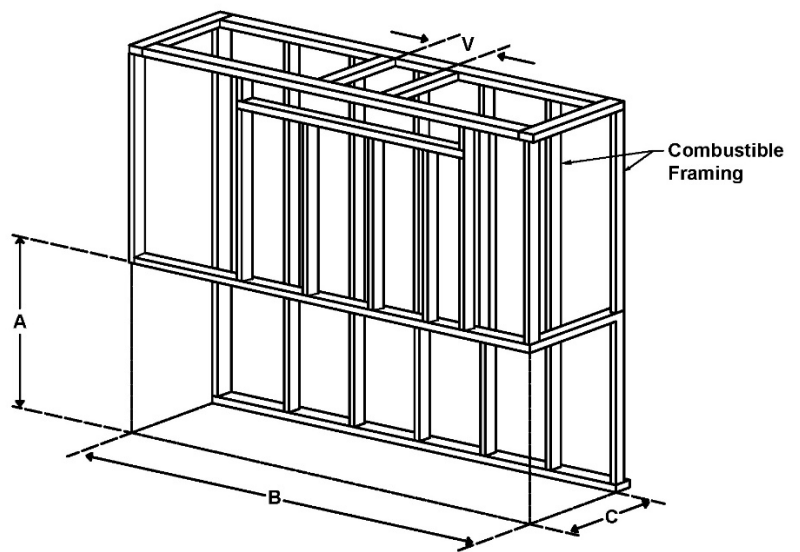


77 Three Sided (TS) Series



Fireplace	A: Height	B: Length	C: Depth	D: Stand-Off	E: Legs	F: Glass Length	G: Glass Height
77 TS	35 3/4"	82 3/4"	21 5/8"	10 7/16"	9 5/8"	81 5/16"	15 3/4"
77H TS	41 11/16"	82 3/4"	21 5/8"	10 7/16"	9 5/8"	81 5/16"	21 5/8"

Framing		
Fireplace	77 TS	77H TS
A: Height	35 3/4"	41 11/16"
B: Length	82 3/4"	82 3/4"
C: Depth	21 5/8"	21 5/8"
V: Firestop	Refer to pipe manufacturer's firestop dimensions	

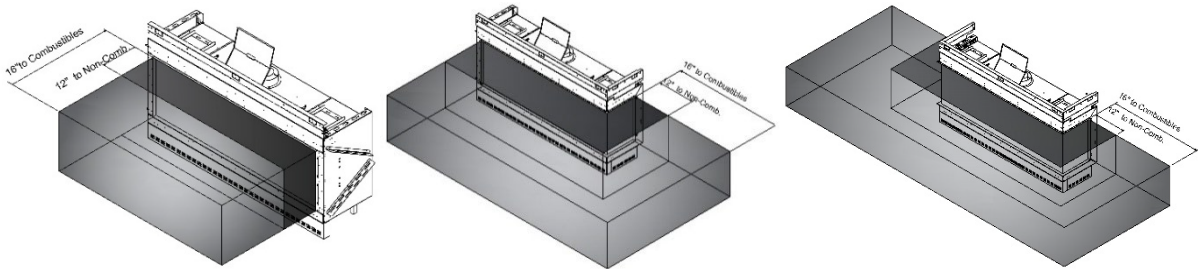


General Clearances

Viewing Area Clearance Zone

The viewing area clearance zone is an area that extends perpendicular from the fireplace viewing area. The depth of the viewing area clearance zone depends on the combustibility of the material in question. Distance is measured from the fireplace heat barrier.

Non-Combustible Materials	Must be minimum 12 inches from fireplace viewing area.
Combustible Materials	Must be minimum 16 inches from fireplace viewing area.

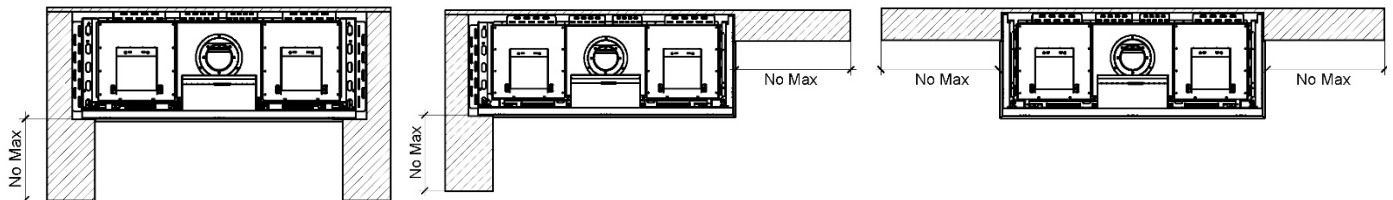



Materials (including combustible flooring and combustible finish material) are permitted below and around the viewing area clearance zone.

! IMPORTANT NOTE: When placing material near the glass, take care to consider fireplace serviceability. It is strongly recommended that any items/materials placed in front of the front (long) glass be movable for easy access to the fireplace during servicing.

Clearance to a Side Wall

The fireplace viewing area is zero-clearance to a side wall. A side wall is defined as a wall that meets the viewing area at a 90° angle.



 = Building Material

The temperature on the side wall can get as high as 150°F above ambient temperature. While the fireplace certification allows for this temperature variance, building and finish materials will have their own limitations. Consult the material manufacturer to ensure the material can safely withstand this temperature range.

This information does not apply to a wall that is constructed in front of the viewing area. For materials that will be in front of a main or side viewing area, please refer to the "Viewing Area Clearance Zone" section above.

Heat Release

A heat release is an opening in the fireplace chase that allows the heat inside the chase to passively circulate into an interior room. This heat is generated convectively as the fireplace heats up. It is separate from exhaust heat produced in the combustion chamber of the fireplace. For safety purposes, a **heat release is required** in order to keep the wall around the fireplace cool. Heat release requirements are the same for all 77 series models.

Heat Release Requirements

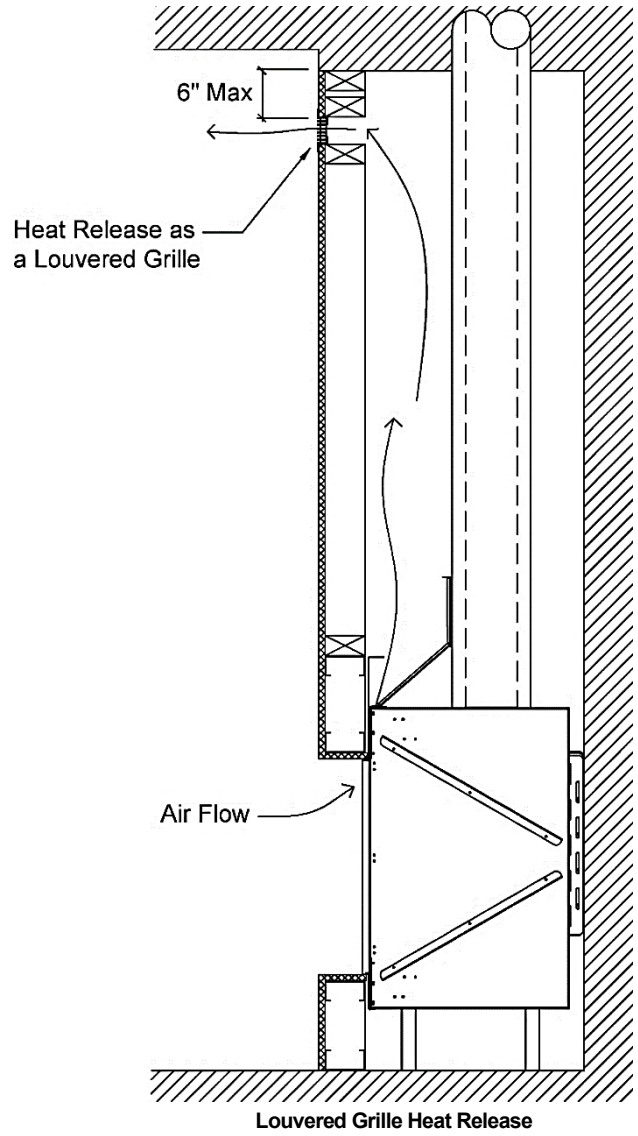
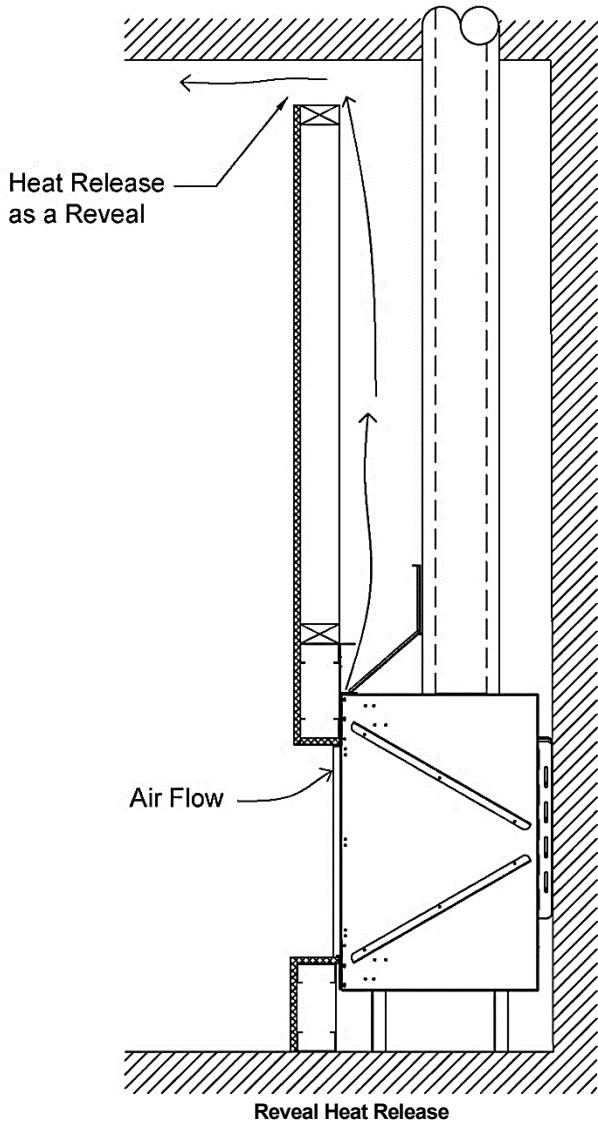
- The heat release must be located at or near the top of the fireplace chase and **start within 6 inches** (0-6 inches max) of the chase ceiling/firestop. It can start at the chase ceiling. It can be located on the front, sides or back of the chase. It can be released into any interior space that shares a wall with the chase.
- Minimum heat release size requirement depends on heat release orientation:

Fireplace Series	Horizontal Heat Release	Vertical Heat Release
77	Minimum 200 sq. in. of free air space	Minimum 260 sq. in. of free air space

- For horizontal heat releases only, the height of the heat release must not exceed 1/3 of the width or it will be considered a vertical heat release requiring a larger sq in space.
- The space the heat release vents into must have a minimum volume of 184 ft³.
- The heat release can be in the form of (but not limited to) a louvered ventilation grille, gap, or reveal.
 - For louvered/perforated ventilation grilles, the net free air space allowed in the louvered area must be equal or greater than the minimum number of square inches required per fireplace.
- The interior area of the narrowest part of the fireplace chase (in square inches) must never be less than your required heat release size (see "Protective Cover for Double Glass Fans" and "Chase Area Minimum" section for details).
- The heat release cannot be vented outdoors or to an unconditioned space.

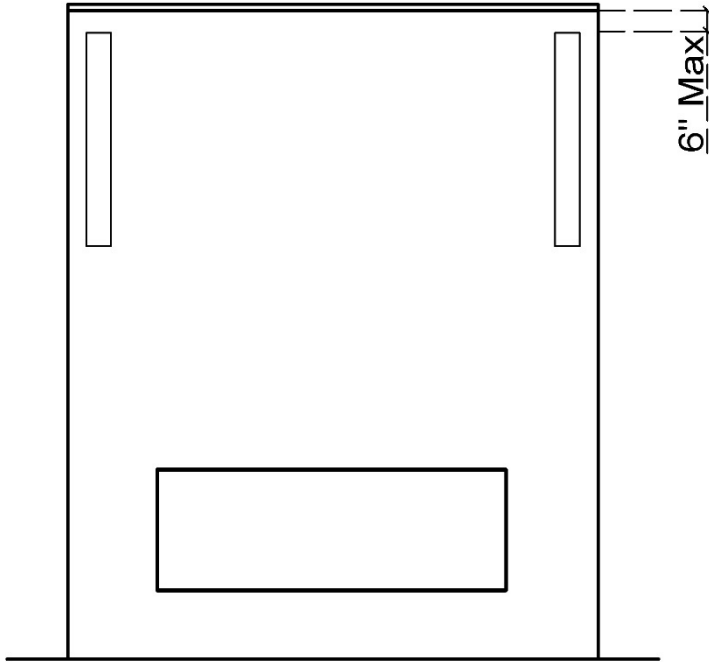
The following diagrams are examples of potential heat release options. These drawings serve as illustrative purposes only.

Horizontal Heat Release



Vertical Heat Release: Split Front

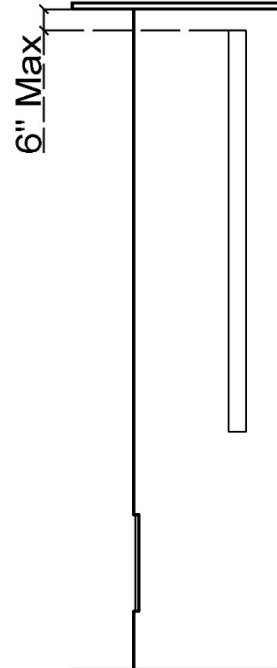
The heat release is oriented vertically and split between the two sides of the chase.



Split Front Vertical Heat Release

Vertical Heat Release: Full Side

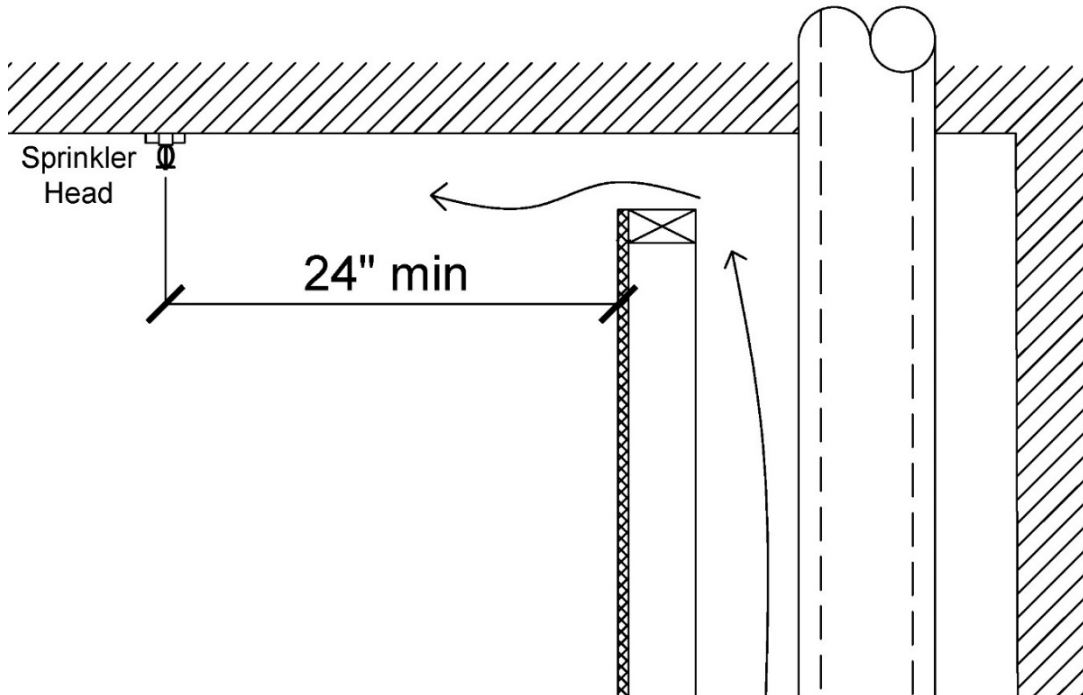
The heat release is oriented vertically. Entire heat release is on one side of the fireplace chase.



Full Vertical Heat Release on One Side

Sprinkler Clearance to Heat Release

In a situation where a sprinkler head is near the heat release, the sprinkler head must be minimum **24 inches** (linear length) from heat release opening.



Air Intake Opening

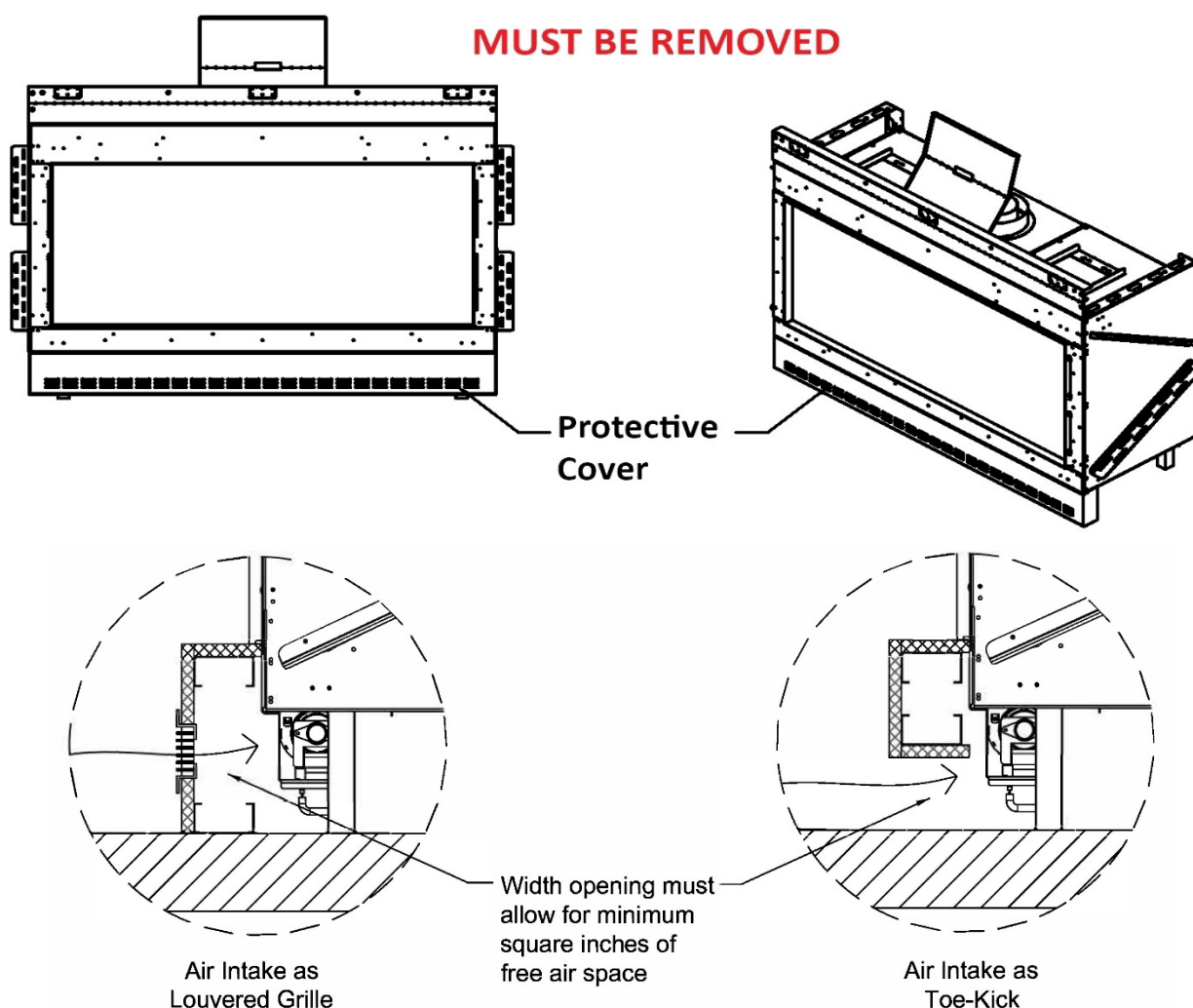
For fireplaces with a double glass heat barrier only, an air intake opening must be incorporated into the framing and finish around the fireplace. The air intake opening is essential to maintain cool air flow between the double glass panels by allowing the double glass fans to circulate room air through the glass panels and up into the chase. The opening must meet the minimum size requirement, as stated in the table below.

Fireplace Series	Air Intake Opening Size
77	Minimum 200 sq. in. of free air space

The air intake opening can be finished in the form of a louvered ventilation grille, gap, or toe-kick (reveal). For louvered ventilation grilles, the net free air space allowed in the louvered area must be equal or greater than the minimum number of square inches required per fireplace.

The entire air intake opening must be located at or below the level of the double glass fans. The air intake is not required to be on the front wall of the fireplace. The air intake cannot be on a wall that allows air from outside the house directly into the fireplace chase. Air must be from a conditioned space.

Air flow must be able to get to the double glass fans by removing the protective cover after the unit is set into place.



Mounting a TV/Artwork

Ortal's Cool Wall Technology is engineering that reduces the convective heat from the fireplace and prevents heat buildup inside the fireplace chase, mitigating any damage that may result from the wall reaching high temperatures. Ortal's Cool Wall system provides the option of safely installing artwork, a TV, or other similar electronic components above the fireplace by reducing the wall temperature above the fireplace.

Location	Wall Temperature
0-6 inches above fireplace	100°F - 120°F
6-12 inches above fireplace	90°F - 100°F
12 inches above fireplace	80°F - 90°F

Maintain the following general requirements to mount a TV or artwork above the fireplace and prevent heat damage:

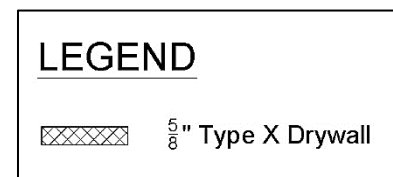
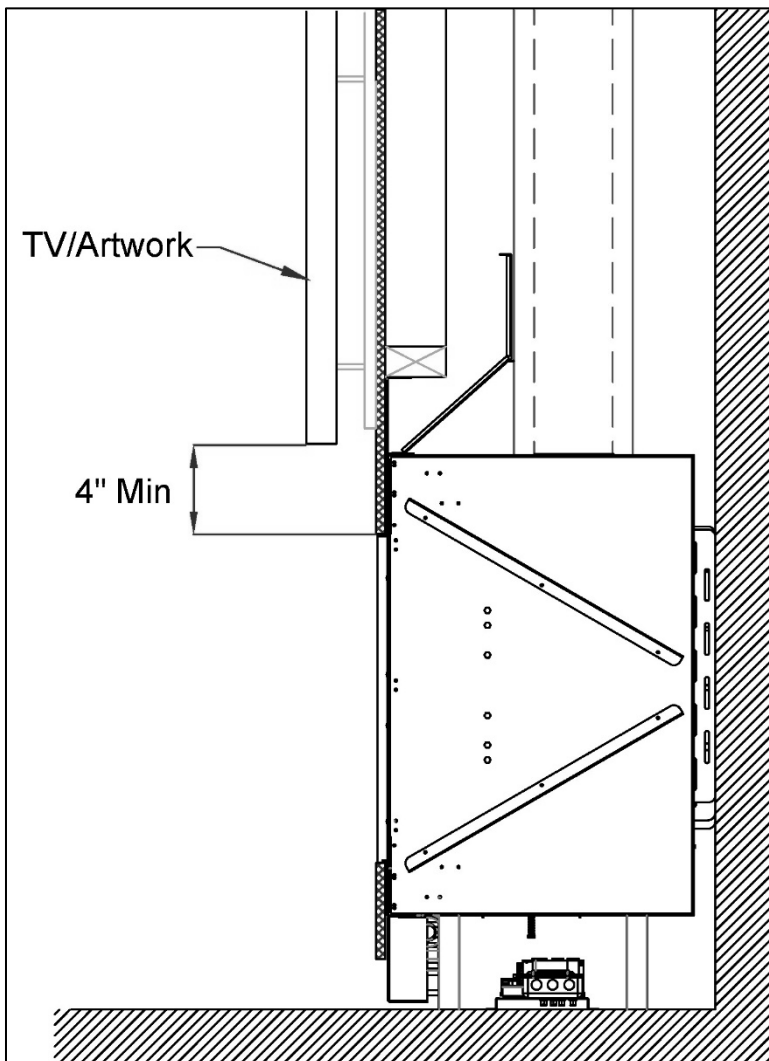
- Mount the TV or artwork at the minimum clearance above the top of the fireplace viewing area. Minimum clearance amount depends on flush or recessed installation. See sections below for more information.
- Wires inside the chase are not permitted to cross over the fireplace. Wires must be installed against a wall.

The decision to install a television above an Ortal fireplace is up to the discretion of the owner. TV and art manufacturers may specify that their product should not be installed on, near or above a heat source. Ortal will not be held liable for any adverse effects on a TV, artwork or other equipment located near the Ortal fireplace. It is the owner's responsibility to verify that their TV or artwork can withstand the wall temperatures as outlined in the above wall temperature chart.

The following diagrams can be used as a guide for customers who do decide to locate their TV and artwork above their Ortal fireplace. These drawings illustrate ways of reducing the amount of heat impact to the area surrounding the fireplace.

Flush Mounted TV/Artwork

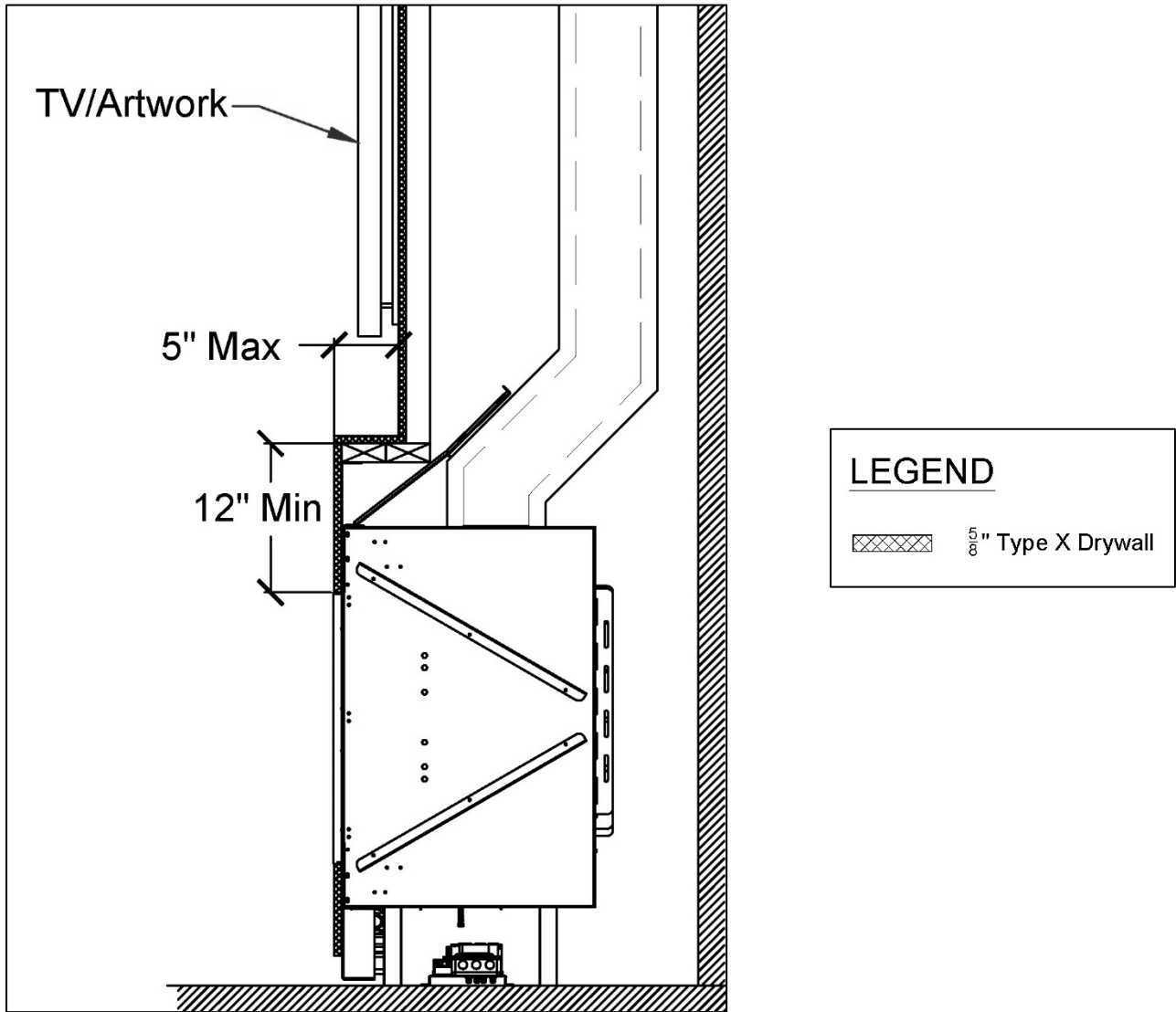
When the TV is mounted on a wall that is flush to the fireplace, the TV must be at least **4 inches** from the top of the fireplace glass viewing area. Ensure all clearances are maintained. See diagram below for details.



Recessed TV/Artwork

When the TV is mounted on a wall that recesses over the fireplace, the TV must be at least **12 inches** from the top of the fireplace glass viewing area.

At 12 inches above the fireplace viewing area, maximum possible recess is 5 inches. A deeper recess will interfere with required clearances to venting. When higher than 12 inches above the fireplace viewing area, the maximum possible recess depth may be larger if venting is offset as shown in diagram below.



! NOTE: Vent clearances must be maintained. See "Vent Clearances" section for details.

Access Panel

An access panel is not required (see note below for exception), but it is **highly recommended**. It allows for access to the fireplace's gas and electrical components for servicing.

NOTE: An access panel at the fireplace is **required** for fireplaces with a power vent to allow access to the power vent control box for servicing.

Access Panel Size and Location Recommendations:

- Size: as large as possible depending on application. Minimum is 10"x10".
- Located within 36 inches of the pilot to the side or back of the fireplace (see "Routing the Gas Line")

The size and location of the access panel may vary, but in all cases, it must allow the technician to comfortably access and service the fireplace's gas and electrical components. These components are attached to the pilot on a flexible gas line and can be moved within 36 inches of the pilot (located at the center front of the burner) to the side or back of the fireplace.

For ease of access, move the fireplace's gas and electrical components as close to the access panel as possible. **If there is any distance between the access panel and the gas and electrical components, the access panel size must be increased accordingly.** Prior to installation, fireplace dealers/installers should work with the owner, builder, project architects and/or interior designers to determine the best size and location of their access panel.

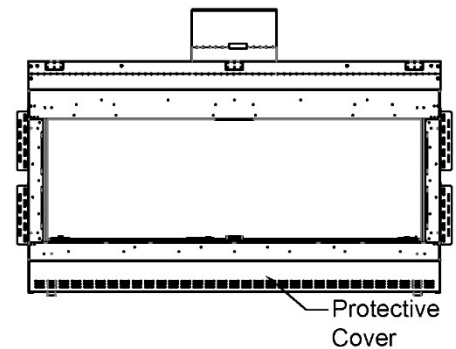
If an access panel cannot be incorporated, the alternative method of servicing the gas and electrical components is through the fireplace. This procedure requires removing the glass panel(s) and interior design media, and lifting the grill, burner, and bottom pressure release valve. This will increase service time and difficulty. An access panel is always preferred. Fireplace dealers/installers are advised to consult with their clients regarding the advantages and disadvantages of each service option.

NOTE: If local code requires an access panel, defer to local code requirements.

Protective Cover for Double Glass Fans

Fireplaces with a double glass heat barrier come equipped with a protective cover to protect the fans from damage. When installed, this protective cover blocks service access to gas and electrical components. The protective cover is installed under the front and sides of the fireplace.

The protective cover must be removed when the fireplace is set into positioning.



Chase Area Minimum

To ensure the convective heat within the chase passively moves to the heat release at an optimal rate, all parts of the interior of the chase must at least the same size as the fireplace heat release (see "Heat Release" section to determine your model's required heat release size) at size at any given point. To determine if your chase meets this requirement, use the following equation at the narrowest part of the chase.

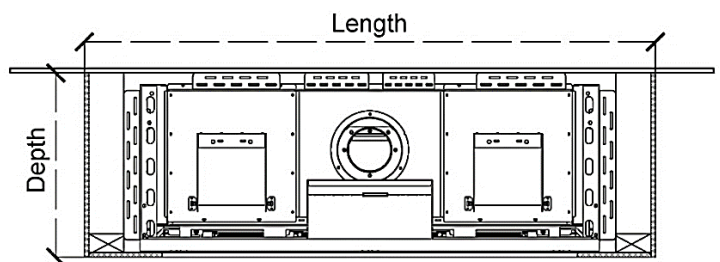
$$\text{Chase Area} = (\text{Chase Length} \times \text{Chase Depth}) - (\text{Area of the Pipe})$$

Area of the Pipe:

5"x8" venting = 50.27 in²

3"x5" venting* = 19.63 in²

*Used for Power Venting only

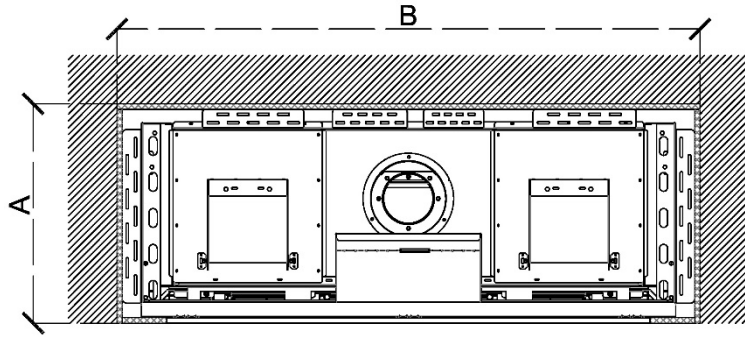


If the heat release is split into 25/75 portions due to an oversized ledge, the chase only needs to be the size of 75% of the heat release because 25% of the heat is already being released at the ledge (see "Recessed Ledge Detail" section below for details).

Recessed Ledge Detail

A ledge over the top of a fireplace that is less than 24 inches from the top of the fireplace viewing area must maintain a minimum of 12 inches from the top of the viewing area to the top of the framing. Entire structure must be non-combustible (framing and finish).

$$\text{Ledge Size: } A \times B \leq 520 \text{ sq. in.}$$

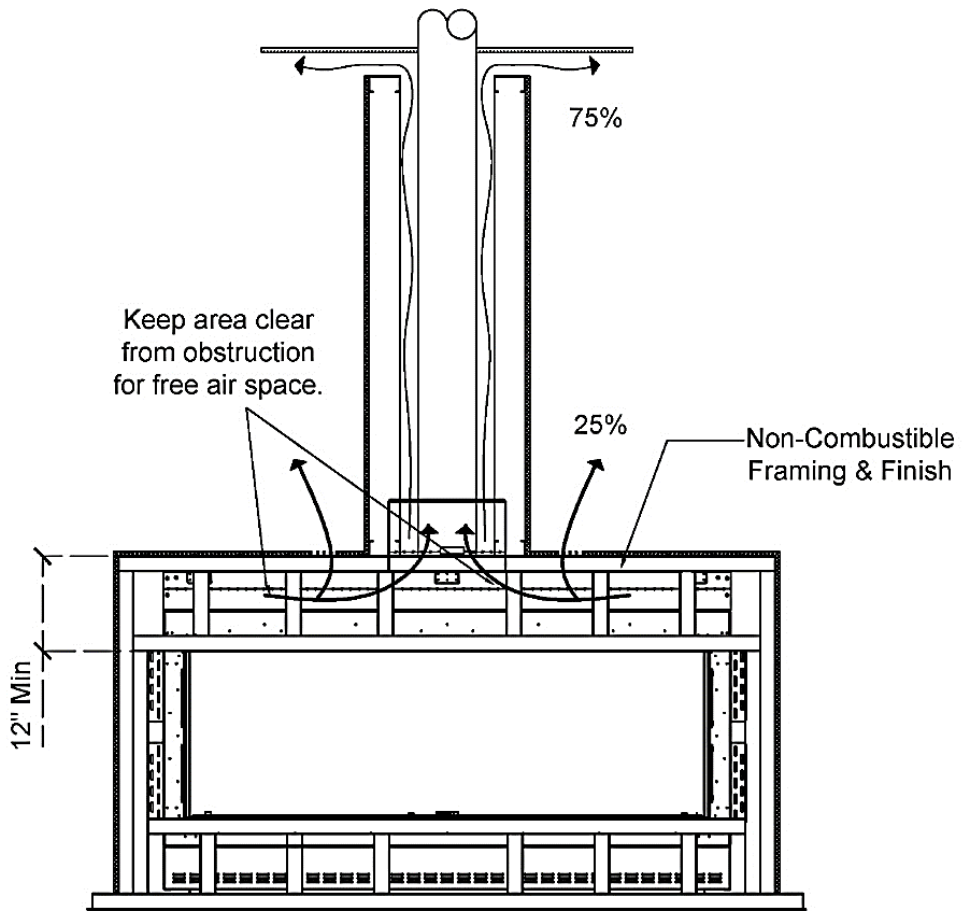


A = ledge depth, B= ledge width (Top View)

Oversized Ledge

If the ledge surface area exceeds 520 sq. in., the heat release must be divided between the ledge and the chase ceiling.

NOTE: Chase area minimum requirements must be met throughout the entire fireplace chase. See "Chase Area Minimum: section above for details.

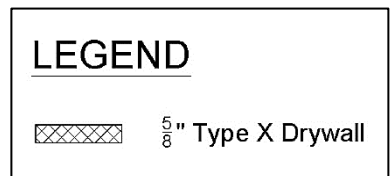
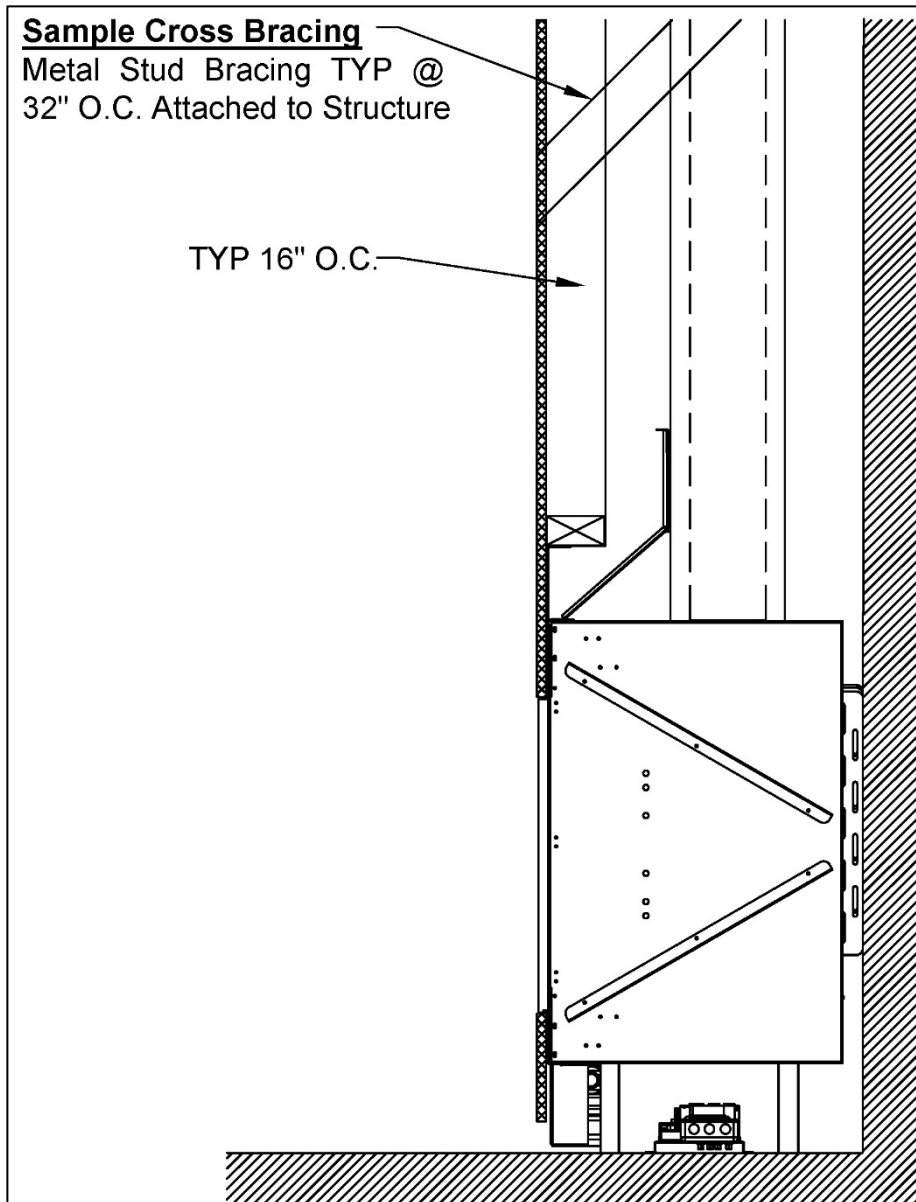


Oversized Ledge

Structural Weight Support

The fireplace must not carry any structural weight. The framing must be supported by another surface. Consult with the project structural engineer and refer to your local building codes for proper wall support.

The following drawing shows a recommended approach to this type of installation. Please note that these drawings are not to scale. All fireplace drawings with correct dimensions are available on the Ortol website.



Finishing

The following diagrams show various finished applications. **Diagrams apply to both combustible and non-combustible finishing material.**



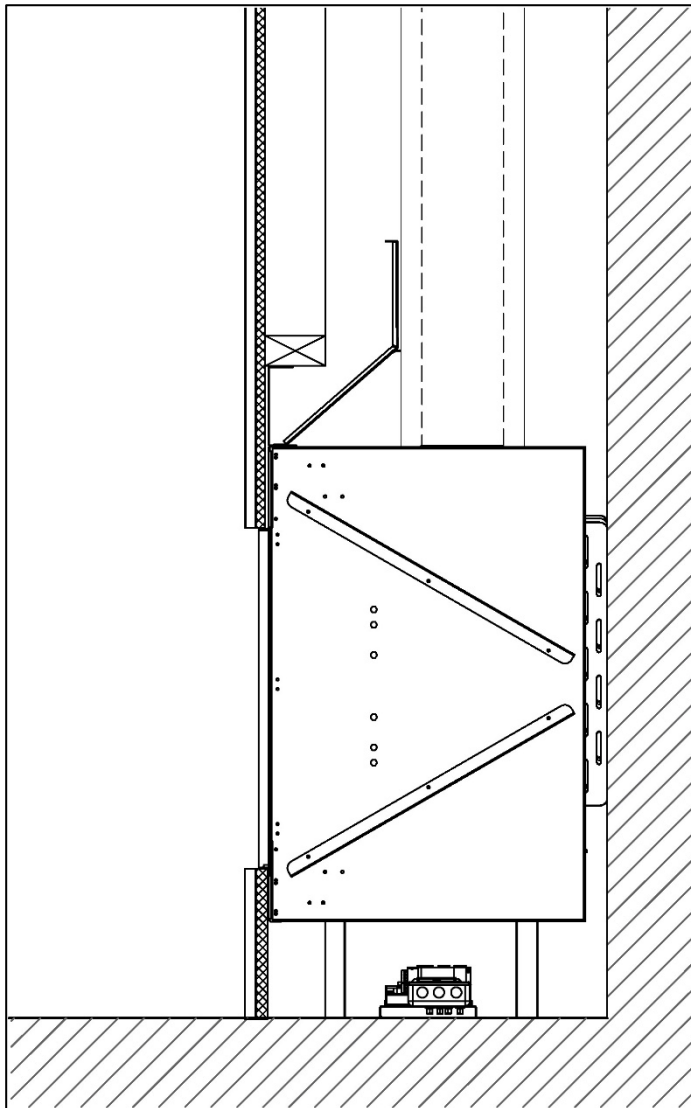
IMPORTANT NOTES:

- All recessed installations must comply with applicable maximum overhang limit and side wall clearances. See “Maximum Overhang/Mantel Depth” and “Clearance to a Side Wall” sections for details.
- No material is permitted to extend past the metal lip surrounding the fireplace viewing area. This area must be unobstructed to allow the heat barrier and inside glass panel to be removable.


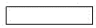
 **WARNING:** Wood finish or floor/hearth extension may dry out, crack, warp or become discolored over time. Consult with floor manufacturer for required clearances to a heat source.

Flush Installation

Diagram applies to both combustible and non-combustible finishing material.

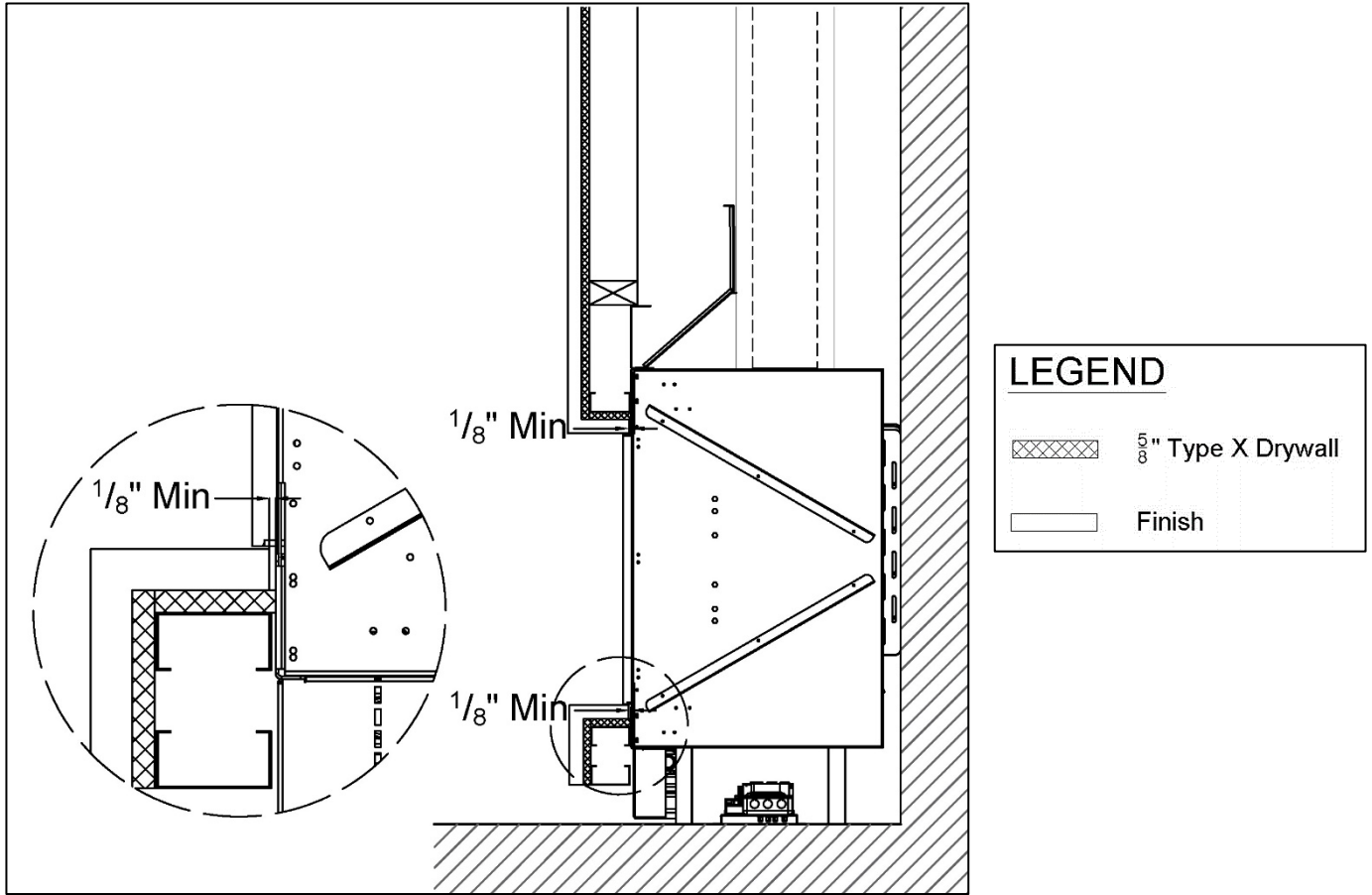


LEGEND

	5/8" Type X Drywall
	Finish

Recessed Installation

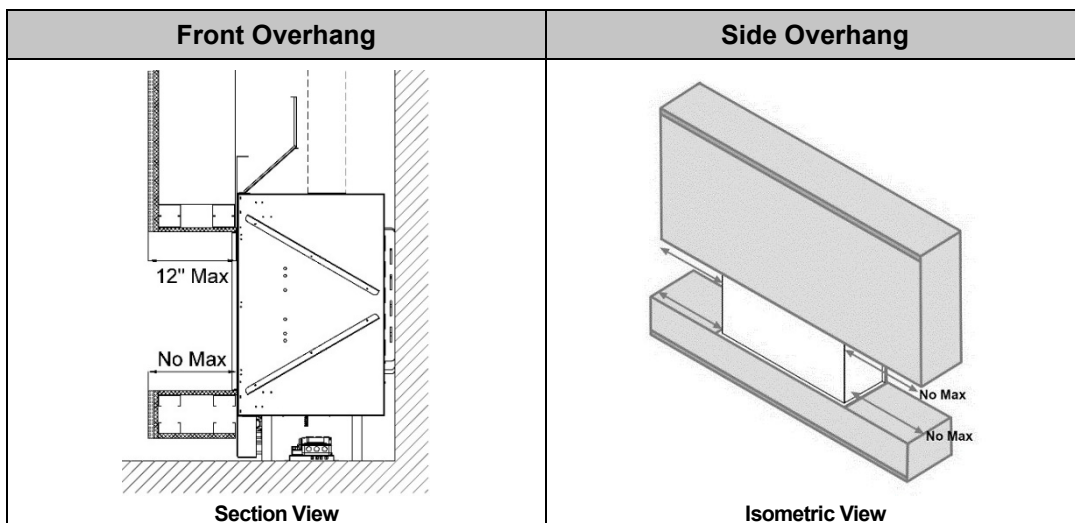
Diagram applies to both combustible and non-combustible finishing material. The finish must maintain at least a 1/8" clearance to the fireplace to both the top and bottom recesses.



Maximum Overhang/Mantel Depth

Overhang (aka Mantel) depth of a recessed fireplace must not exceed **12 inches**. Overhang depth is measured from the edge of the fireplace lip to the out-most part of the wall (including finish material). **Side overhang has no limit.** Finish material on the underside of the overhang may be combustible or non-combustible. **Metal studs must be used for framing overhangs.**

Bottom recess (or "hearth extension") has no minimum or maximum depth requirement. If bottom recess depth exceeds 12 inches, ensure the structure is capable of supporting the weight of a fireplace technician for servicing.







Venting

General Venting Requirements

The fireplace operates using a direct vent system and requires co-axial direct vent pipe. The fireplace must be properly connected to an approved vent system. Venting is not provided with the fireplace and must be sourced from one of the approved vent manufacturers mentioned in the table below. Proper installation, use, and maintenance of venting is determined by and can be acquired from the vent manufacturer.

Vent Requirements			
Fireplace Model	Direct Vent Type	Vent Size	Approved Vent Manufacturers
77 Front 77 RS 77 LS 77 TS 77H Front 77H RS 77H LS 77H TS	Passive Vent (standard)	5x8 co-axial direct vent pipe (5" interior, 8" exterior)	Olympia: Ventis DuraVent: Direct Vent Pro ICC: EXCELDirect BDM: Pro-Form Direct Vent System Selkirk: Direct-Temp System
	Enervex RS Power Vent (optional)		
	Ortal Power Vent (optional)*	3x5 co-axial direct vent pipe (3" interior, 5" exterior)	DuraVent: CVS line ICC: EXCEL PV Pipe

***Power Vent: a fan-assisted direct vent system that boosts airflow for vent configurations with too much constriction. Review "Vent Configurations" section to determine if your fireplace needs a power vent.**

-  **ORTAL POWER VENT NOTE:** See the Ortal Power Vent Manual for more details on power venting.
-  **ENERVEX POWER VENT NOTE:** See Ortal's Enervex RS Power Vent Manual for more details on power venting with an Enervex power vent.
-  **TERMINATION CAP NOTE:** Low Profile Termination Cap and Sconce Termination Cap can negatively impact flame appearance and are not recommended for use with the fireplace.
-  **WARNING:** Do not combine vent components from different vent manufacturers. Please follow the manufacturer's instructions for vent system installation.

Vent Configurations

The following sections provide information for calculating vent configuration distances and elbows. For vent configurations that cannot conform to these guidelines, consider Ortal's Power Vent System, or contact Ortal for assistance. Power Vent information can be found in the Power Vent Installation Manual.

Please consider the following guidelines when determining vent configuration:

Elbows

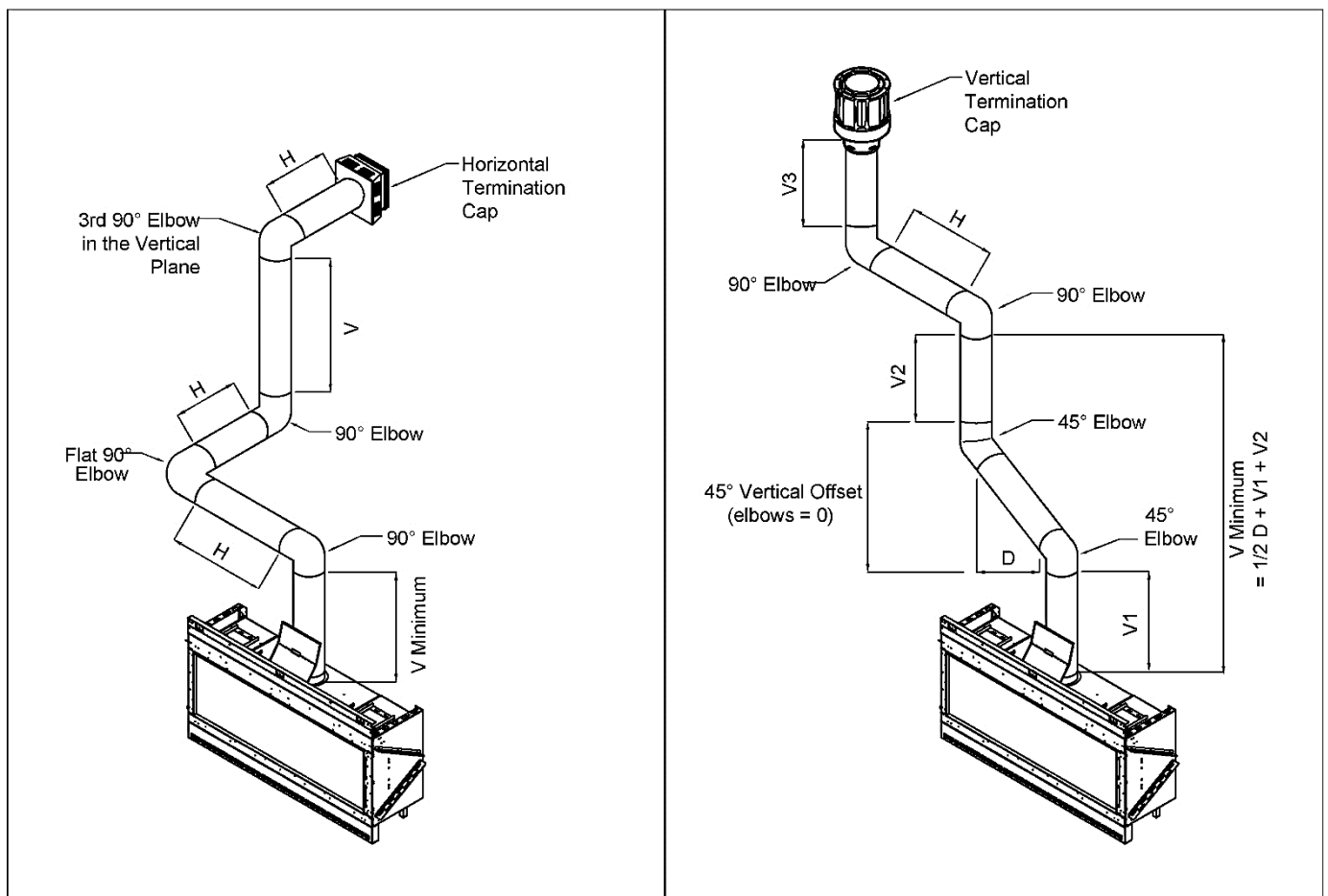
- **Maximum Elbows:** Up to **four** 90° elbows can be used in the vent configuration. Two 45° elbows = one 90° elbow.
 - **45° Vertical Offset Exception:** Two 45° elbows in the vertical plane with a diagonal run in between is equal to **0 elbows**. They are not counted with other elbows in the vent configuration. This offset exception is applicable immediately on the top of the fireplace and anywhere else within the vent configuration.
The diagonal run between the two 45° elbows must be included when calculating vertical and horizontal distances.
 - **45° Horizontal Offset:** Two 45° elbows that begin and end in the horizontal plane, with a diagonal run in between, is equal to **one 90° elbow**. Additionally, **3 feet** must be reduced from the total allowable horizontal run.
The diagonal run between the two 45° elbows must be included when calculating vertical and horizontal distances
- **Flat 90° Elbows:** For every flat 90° elbow (a 90° elbow that stays in the horizontal plane), **6 feet** must be reduced from the total allowable horizontal run. Up to two flat elbows are allowed.
 - Example: If max allowable horizontal run is 24 feet and 1 flat elbow is added, max run is reduced to 18 feet.
- **Exceeding two 90° Elbows:** For more than two 90° elbows, the minimum total vertical rise is **6 feet**.
- **3rd 90° Elbow in the Vertical Plane:** The 3rd elbow in the vertical plane reduces **3 feet** from total allowable horizontal run. Do not include flat elbows when determining which 90° elbow in your configuration is 3rd in the vertical plane.

Diagonal Runs

- **Calculating Diagonal Runs (D):** Diagonal (45°) vent runs have an equal combination of vertical and horizontal aspects. To include diagonal portions of your desired vent configuration when determining overall vent limitations, divide the diagonal distance in half. Add this value to the total vertical rise and total horizontal run distances in your vent configuration. Include these values when utilizing the Vent Configuration Tables below.
 - Example: 6 feet diagonal run = 3 feet vertical rise & 3 feet horizontal run

Other

- **V Minimum:** This is the minimum amount of vertical rise required before the first *completely* horizontal (not diagonal) run.
- Any vent configuration that does not meet these parameters requires Ortal's review and approval.



Allowable Maximum Horizontal Runs

77 Series (160 Single Burner)	
V minimum = 6 feet	
Vertical (V)	Max Horizontal (H)
6 ft	18 ft
9 ft	19 ft
12 ft	19 ft
15 ft	30 ft
18 ft	19 ft
21 ft	19 ft
24 ft	19 ft
27 ft	19 ft
30 ft	19 ft
33 ft	19 ft
36 ft	19 ft
39 ft	0 ft
42 ft	0 ft
45 ft	0 ft

 **CHART NOTE:** Do not include the space elbows take up when calculating your vertical and horizontal distances.

Vent Restrictor Sizing Guidelines

The restrictor sizing tables in this section determine the recommended restrictor for your vent configuration. These tables show Ortal's recommendations only. The Environment, gas type and other factors may affect the best restrictor choice.

How to use the "Recommended Restrictor" tables:

1. Find the total vertical rise in your vent configuration along the y-axis.
2. Find the horizontal run in your vent configuration along the x-axis.
3. Follow the desired rise and run values within the table until they meet. This value is the recommended restrictor size (in inches) for your vent configuration.

Legend:

X: Vent configuration is not allowed. Power vent required.

0: No restrictor required.

Numbers other than 0: Represents the recommended restrictor (by width).

Restrictor Sizes:

- 20mm (0.79")
- 30mm (1.18")
- 40mm (1.57")
- 50mm (1.97")
- 70mm (2.75")
- 85mm (3.35")

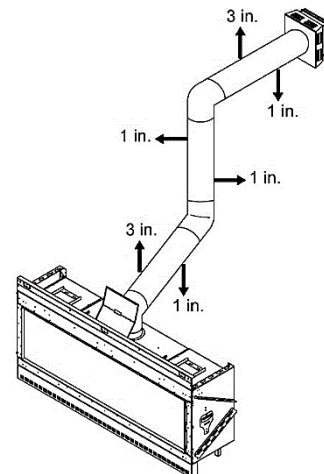
		Ortal 77 Fireplaces (160 Burner) V Minimum = 6 Feet											
Total Vertical Vent Rise	45'	2.75"	X	X	X	X	X	X	X	X	X	X	X
	42'	2.75"	1.97"	1.97"	X	X	X	X	X	X	X	X	X
	39'	2.75"	1.97"	1.97"	0	X	X	X	X	X	X	X	X
	36'	2.75"	1.97"	1.97"	0	0	0	0	X	X	X	X	X
	33'	2.75"	1.97"	1.97"	0	0	0	0	X	X	X	X	X
	30'	2.75"	1.97"	1.97"	1.97"	0	0	0	X	X	X	X	X
	27'	2.75"	1.97"	1.97"	1.97"	0	0	0	X	X	X	X	X
	24'	2.75"	1.97"	1.97"	1.57"	1.18"	0	0	X	X	X	X	X
	21'	2.75"	1.97"	1.57"	1.18"	1.18"	1.18"	0	X	X	X	X	X
	18'	1.97"	1.97"	1.57"	1.18"	1.18"	1.18"	0	X	X	X	X	X
	15'	1.97"	1.97"	1.57"	1.18"	1.18"	0	0	X	X	X	X	X
	12'	1.57"	1.57"	1.57"	1.18"	0	0	0	X	X	X	X	X
	9'	1.57"	1.57"	1.18"	1.18"	0	0	0	X	X	X	X	X
6'	0	0	0	0	0	0	0	X	X	X	X	X	
3'	X	X	X	X	X	X	X	X	X	X	X	X	
0'	X	X	X	X	X	X	X	X	X	X	X	X	
		0'	3'	6'	9'	12'	15'	18'	21'	24'	27'	30'	33'
		Horizontal Vent Run											

Vent Clearances

The following clearances apply to the vent system regardless of vent manufacturer.

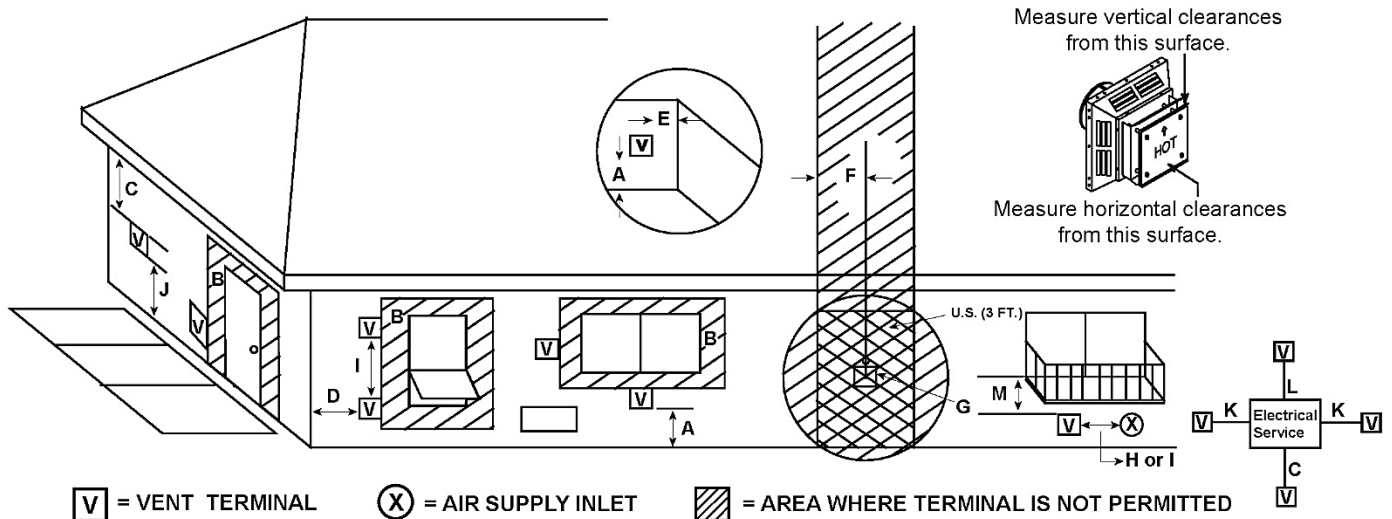
Vent Clearances	
Sides: 1"	Applies to entire circumference when venting is oriented vertically. Clearance is to any material.
*Top: 3"	Applies to venting oriented horizontally or at an angle. Clearance is to any material.
Bottom: 1"	

***Exception:** Wall thimble top clearance to any material is 1".

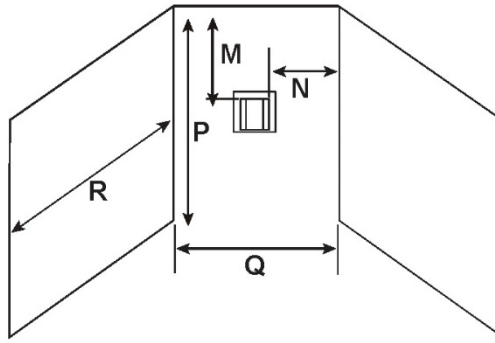


Vent Termination

Horizontal Termination Clearance Diagram



Location	Country	Minimum Clearance	Description
A	US & Canada	12 inches	Clearance above grade, veranda, porch, deck, or balcony. NOTE: On private property where termination is less than 7 feet above a sidewalk, driveway, deck, porch, veranda, or balcony, use of a listed cap shield is suggested.
B	US	≤ 50,000 BTU: 9 inches > 50,000 BTU: 12 inches	Clearance to an operable window or door. NOTE: Zero clearance to an inoperable window or door.
	Canada	12 inches	
C	US & Canada	24 inches	Vertical clearance to a ventilated soffit located above the vent termination.
		18 inches	Vertical clearance to an unventilated soffit located above the vent termination.
		42 inches	Vertical clearance to vinyl clad soffits and below electrical service.
D	US & Canada	9 inches	Clearance to an outside corner.
E	US & Canada	6 inches	Clearance to an inside corner.
	US	N/A	
F	US	N/A	Not to be installed above a gas meter/regulator assembly within 3 feet (90 cm) horizontally from the center-line of the regulator.
	Canada	3 feet	
G	US & Canada	3 feet	Clearance to gas service regulator vent outlet.
H	US	9 inches	Clearance to a non-mechanical air supply inlet to the building or the combustion air inlet to any other appliance. NOTE: Termination in a covered alcove space (spaces open only on one side and with an overhang) are permitted with the dimensions specified for vinyl or non-vinyl siding and soffits. 1. There must be 3 feet minimum between termination caps. 2. All mechanical air intakes within 10 feet of a termination cap must be a minimum of 3 feet below the termination cap. 3. All gravity air intakes within 3 feet of a termination cap must be a minimum of 1 foot below the termination cap.
	Canada	12 inches	
I	US	3 feet	Clearance to a mechanical (powered) air supply inlet. NOTE: Termination in a covered alcove space (spaces open only on one side and with an overhang) are permitted with the dimensions specified for vinyl or non-vinyl siding and soffits. 1. There must be 3 feet minimum between termination caps. 2. All mechanical air intakes within 10 feet of a termination cap must be a minimum of 3 feet below the termination cap. 3. All gravity air intakes within 3 feet of a termination cap must be a minimum of 1 foot below the termination cap.
	Canada	6 feet	
J*	US & Canada	7 feet	Clearance above paved sidewalk or a paved driveway located on public property. NOTE: On private property where termination is less than 7 feet above a sidewalk, driveway, deck, porch, veranda, or balcony, use of a listed cap shield is suggested. *a vent shall not terminate directly above a sidewalk or paved driveway which is located between two single family dwellings and serves both dwellings.
K	US & Canada	6 inches	Clearance from sides of electrical service. NOTE: Location of the vent termination must not interfere with access to the electrical service.
L	US & Canada	12 inches	Clearance above electrical service. NOTE: Location of the vent termination must not interfere with access to the electrical service.



Covered Alcove: spaces open only on one side and with an overhang

Horizontal Termination Clearances Continued: Covered Alcove Application				
Location	Country	Minimum Clearance	Description	
COVERED ALCOVE APPLICATION	M	US & Canada	16 inches	Clearance under non-vinyl veranda, porch, deck, balcony, or overhang. NOTE: Termination in a covered alcove space is permitted with the dimensions specified. 1. There must be 3 feet minimum between termination caps. 2. All mechanical air intakes within 10 feet of a termination cap must be a minimum of 3 feet below the termination cap. 3. All gravity air intakes within 3 feet of a termination cap must be a minimum of 1 foot below the termination cap.
	N	US & Canada	6 inches	Non-vinyl sidewalls.
			12 inches	Vinyl sidewalls.
	P	US & Canada	8 feet	Alcove height.
	Q	US & Canada	See table below.	Alcove width (dependent on number of caps in the space).
R	US & Canada	See table below.	Alcove depth (dependent on number of caps in the space).	

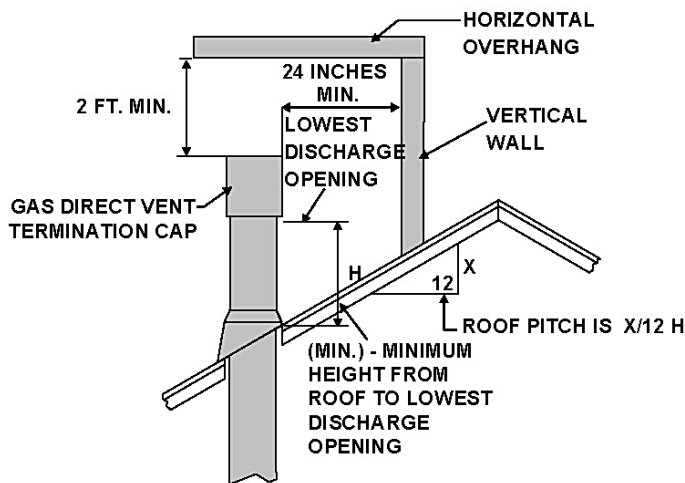
# Vent Caps	Q _{MINIMUM}	R _{MAXIMUM}
1 vent cap	3 feet	2 x Q _{ACTUAL}
2 vent caps	6 feet	1 x Q _{ACTUAL}
3 vent caps	9 feet	² / ₃ x Q _{ACTUAL}
4 vent caps	12 feet	¹ / ₂ x Q _{ACTUAL}
Q_{MIN} = # vent caps x 3		R_{MAX} = (²/_{# vent caps}) x Q_{ACTUAL}

! HORIZONTAL TERMINATION CAP CLEARANCES - NOTES:

- If exterior walls are finished with vinyl siding, it is required that a vinyl protector kit be installed.
- Vent system termination is not permitted in screened porches.
- Vent system termination is permitted in porch areas with two or more sides open. You must follow all side walls, overhang and ground clearances as stated.
- Termination caps may be hot. Consider their proximity to doors or other traffic areas.

Vertical Termination Clearance Diagram

Minimum Height From Roof To Lowest Discharge Opening

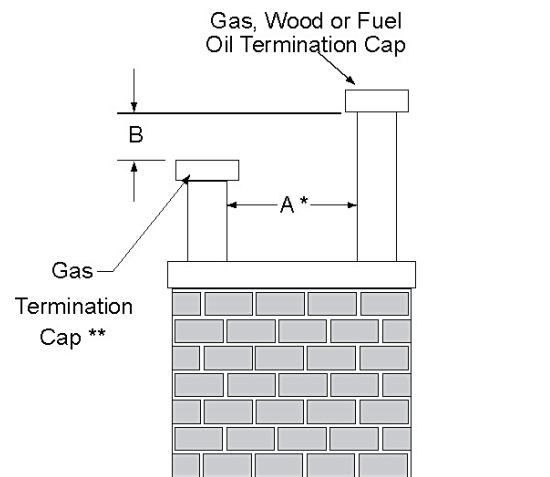


Roof Pitch	H (Min.) Ft.
Flat to 6/12.....	1.0*
Over 6/12 to 7/12.....	1.25*
Over 7/12 to 8/12.....	1.5*
Over 8/12 to 9/12.....	2.0*
Over 9/12 to 10/12.....	2.5*
Over 10/12 to 11/12.....	3.25
Over 11/12 to 12/12.....	4.0
Over 12/12 to 14/12.....	5.0
Over 14/12 to 16/12.....	6.0
Over 16/12 to 18/12.....	7.0
Over 18/12 to 20/12.....	7.5
Over 20/12 to 21/12.....	8.0

*H min. may vary depending on regional snowfall. Refer to local codes.

Staggered Termination Caps

A	B
6 in. (minimum) up to 24 in.	18 in. minimum
24 in. and over	0 in. minimum



* If using decorative cap cover(s), this distance may need to be increased. Refer to the installation instructions supplied with the decorative cap cover.

** In a staggered installation with both gas and wood or fuel oil terminations, the wood or fuel oil termination cap must be higher than the gas termination cap.

Notes:

1. Maintain a minimum of 2 feet clearance between edge of vertical termination and perpendicular wall.
2. If terminating near window, keep minimum of 2 feet clearance between window and vent termination.
3. All mechanical air intakes (such as an Energex power vent) within 10 feet of a termination cap must be a minimum of 3 feet below the termination cap.
4. All gravity air intakes within 3 feet of a termination cap must be a minimum of 1 foot below the termination cap.

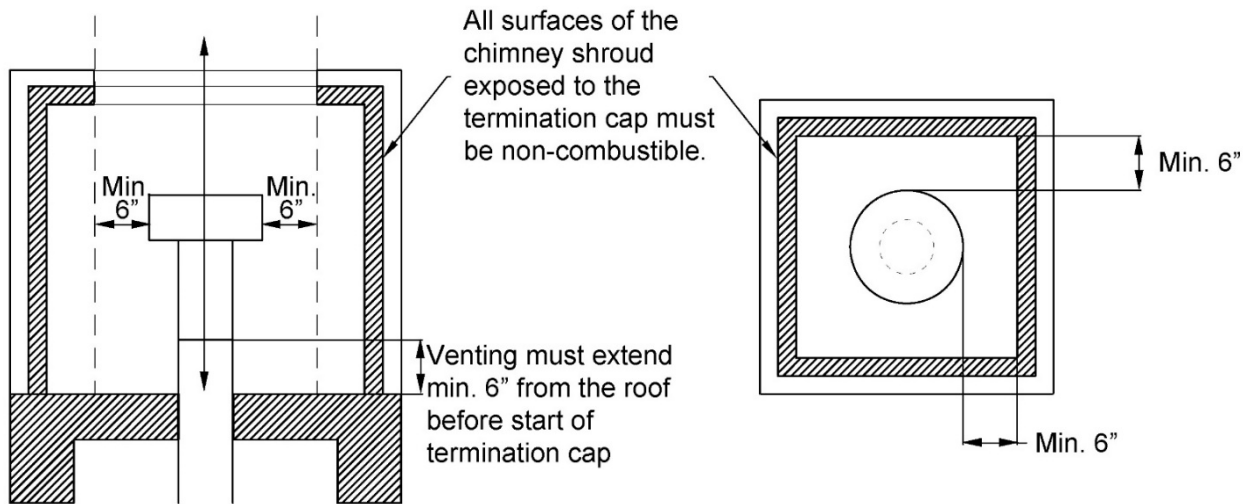
NOTE: This chart does not apply to a chimney shroud application. See the "Chimney Shroud" section on the next page for more information.

TERMINATION CAP NOTE: A Low-Profile Termination Cap can negatively impact flame appearance and is not recommended for use with the fireplace.

Chimney Shroud

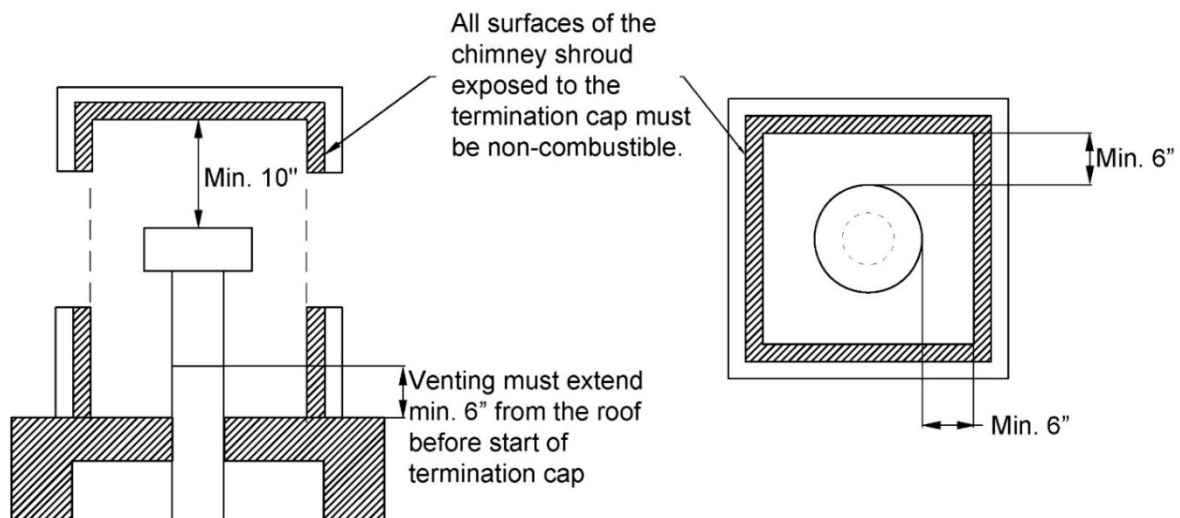
Top Open

Keep a minimum **6-inch** clearance around the diameter of the cap's side edge and extending above and below the cap.



Sides Open

Keep a minimum **6-inch** clearance around the diameter of the cap's side edge, and a minimum **10-inch** clearance above the top of the cap. For openings in the shroud, make sure to allow for enough air flow space to release the exhaust gases and allow the vent to operate properly.



Vent Installation

Venting must be installed to meet the requirements as detailed in the following sections in conjunction with the vent system manufacturer's installation instructions. Venting must be supported by the structural surrounding and not by the fireplace. Each offset (elbow) must be strapped to reduce movement or possible disconnection.

The first section of venting must be secured to the fireplace starter collar with a minimum of 3 sheet metal screws no longer than 1/2". DO NOT use silicone to seal the sections. If sealing is required by the vent manufacturer or local code, use Mil-Pac sealant or equivalent.

WARNING: Do not combine vent components from different vent manufacturers. Please follow the manufacturer's instructions for vent system installation.

Vent Maintenance

Regular inspection of the vent system by a qualified service technician is recommended every six months. The following maintenance routing is recommended:

- Inspect for excessive condensation, e.g., water droplets forming in the inner lining, and subsequently dripping from the joints. This can cause corrosion in the system.
- Check for corrosion in areas exposed to the elements. Components with rust spots or holes must be immediately replaced.
- Ensure that there is no foreign material in the vents. Survey by removing the cap and shining a light down the vent.
- If possible, check all vent joints to make sure nothing has been disturbed or loosened.

Gas

The fireplaces are approved for use with natural gas (NG) or propane (LP) only. No other fuel types are permitted.

Gas Pressures

Fireplace Series	Burner	Gas Type	Inlet Pressure		Manifold Pressure	Heat Input (BTU/hr)		Orifice Size
			Min	Max		Min	Max	
77 Front 77 RS 77 LS 77 TS 77H Front 77H RS 77H LS 77H TS	160 Single Burner	Natural Gas	7.0	11.0	4.5	27,467	51,277	1400
		Propane	11.0	13.0	10.6	24,329	51,011	500

NOTE: It can take up to 20 minutes for the flames to turn yellow.

Routing the Gas Line

Correctly size and route the gas supply line from the supply regulator to the area where the access panel is located (or to the burner area if no access panel is available), as per the requirements outlined in the latest edition of the National Fuel Gas Code, NFPA 54 (USA) or CAN/CSA-B1491 (Canada).

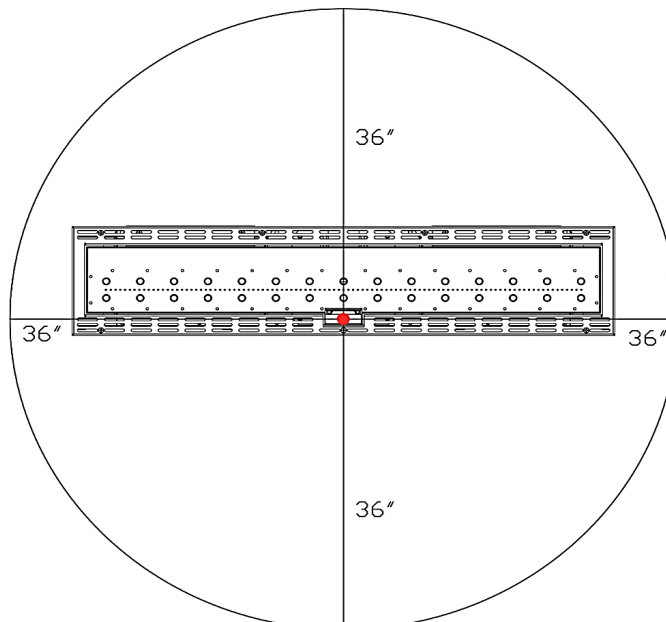
The gas and electrical components are attached to the pilot on a flexible gas line and can be kept directly under the fireplace or, depending on the model, moved to the left, right, or back of the fireplace within 36 inches of the pilot (located at the center front of the burner). See images below for details.

Gas line should be routed to the access panel area (see "Access Panel" section for details). If no access panel is planned, gas line should be routed to the most accessible area within the 36" radius.

A gas shut-off valve and a 12" gas flex connector are provided with every fireplace. The location of the gas shut-off valve is dependent on local codes and requirements. Check with your authority having jurisdiction for more information.

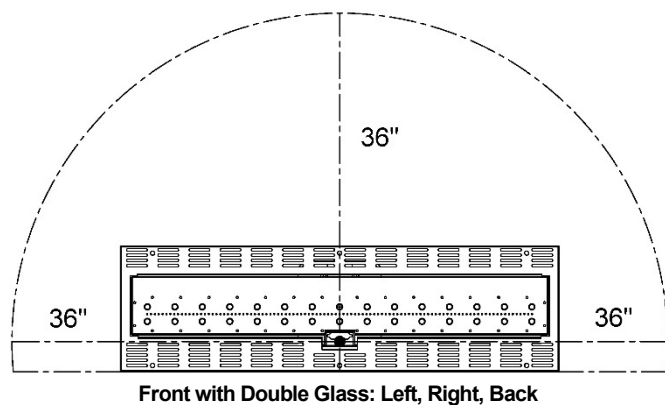
WARNING: The main gas valve must be installed to allow complete disconnection of the fireplace from the gas supply piping system for servicing purposes.

Screen Models

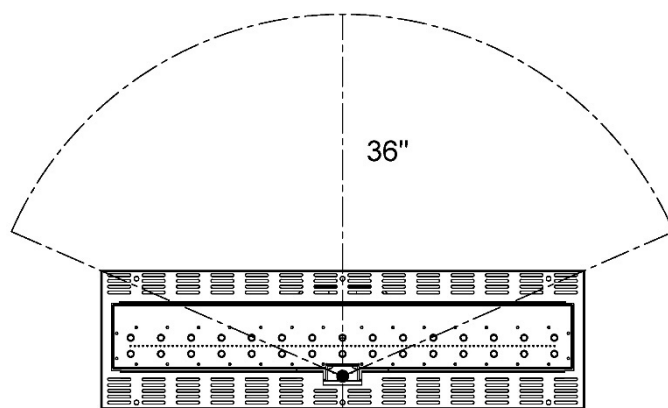


77 Series Fireplaces with Screen: Left, Right, Back, Front

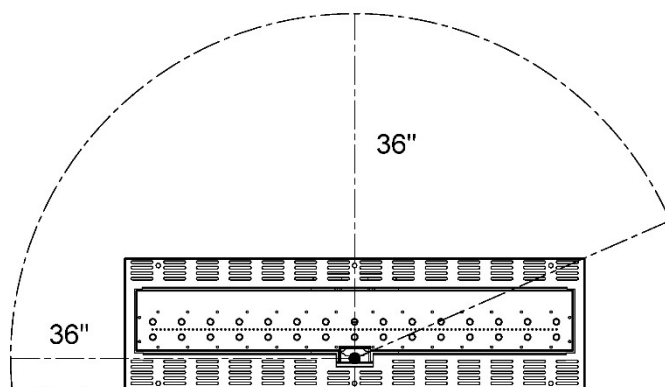
Double Glass Models



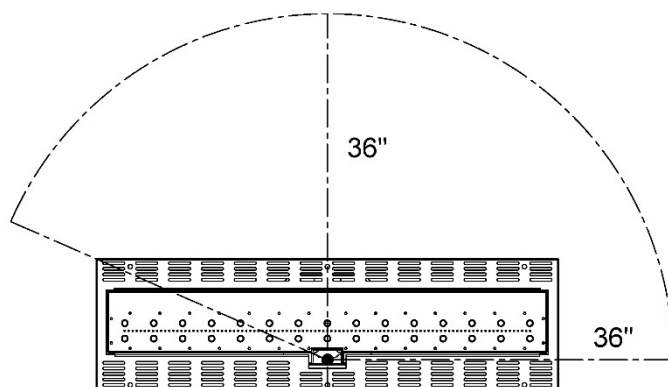
Front with Double Glass: Left, Right, Back



Three Sided with Double Glass: Back



Right Side (RS) with Double Glass: Left, Back



Left Side (LS) with Double Glass: Right, Back

Gas Conversion

Gas conversion (NG to LP or LP to NG) can be done in the field. Gas conversion must only be performed by a technician who has specific authorization by Ortal to change these components. The conversion kit must be supplied by Ortal. Using parts from other manufacturers or having an unauthorized party perform the conversion will void your fireplace's warranty. Conversion instructions are supplied with the conversion kit.

Ortal 77 series NG to LP Conversion Kit for Front & Corner: **GCNL135160O-US**

Ortal 77 series LP to NG Conversion Kit for Front & Corner: **GCLN135160O-US**

Ortal 77 series NG to LP Conversion Kit for TS: **GCNL135160E-US**

Ortal 77 series LP to NG Conversion Kit for TS: **GCLN135160E-US**

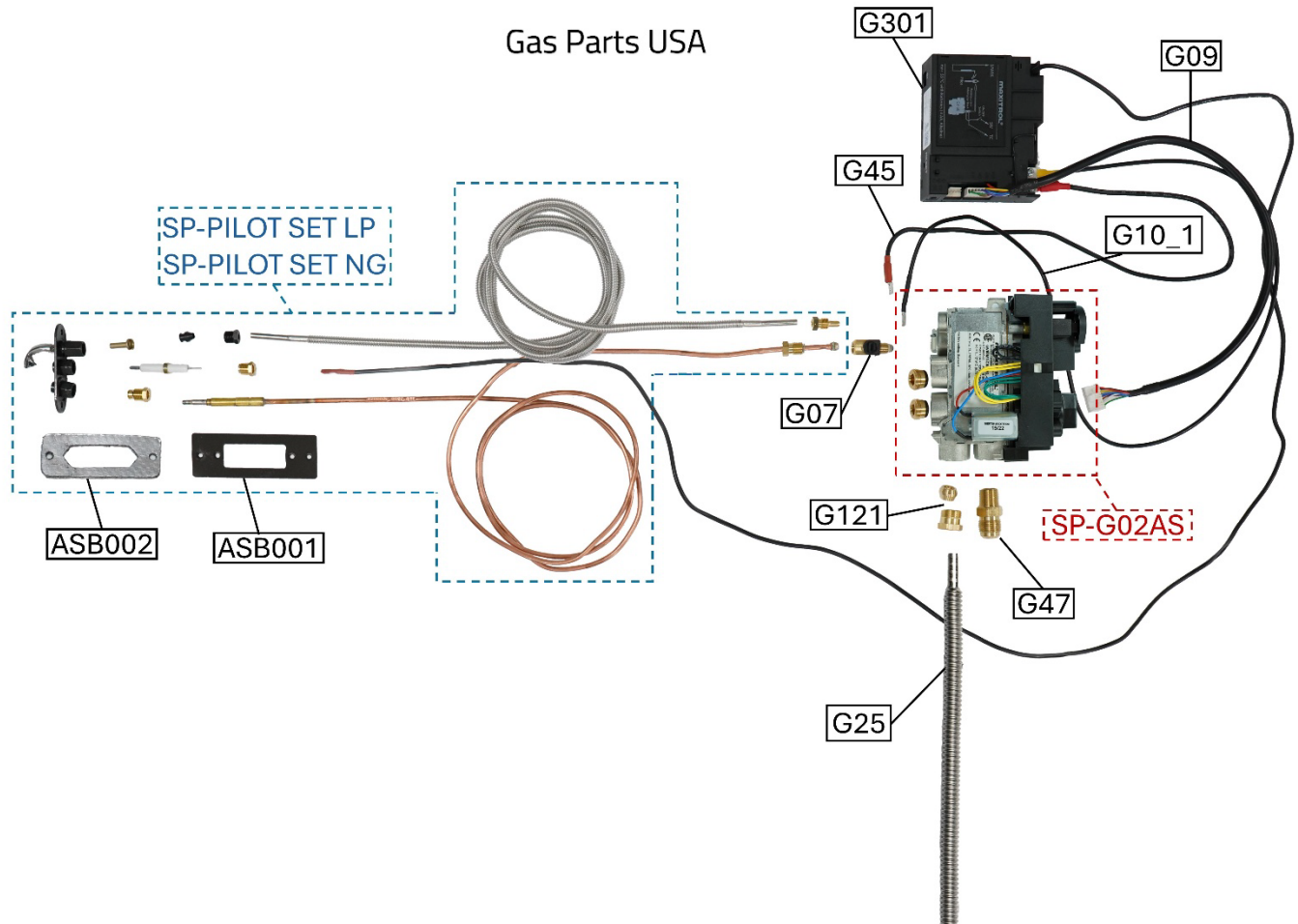
High Altitude Requirements

For elevations above 2,000 feet, the fireplace shall be re-rated 4% for each 1,000 feet above sea level.

In Canada: Input ratings are certified without a reduction of input rate for elevations up to 4500 feet above sea level. Please consult provincial and/ or local authorities having jurisdiction for installations at elevations above 4500 feet.

→ Gas and Electrical Components

Assemblies and components are listed and described in the tables following the figure.



Part Number	Description
SP-PILOT SET NG	NG Pilot Assembly
SP-PILOT SET LP	LP Pilot Assembly
ASB001	Pilot Bracket
ASB002	Pilot Gasket
G301	Symax Receiver
G45	Red Cable
G10_1	Yellow Cable

Part Number	Description
G121	Main Burner Gas Fitting
G25	Burner Gas Tube
G121	Main Burner Gas Fitting
G07	Thermocouple Block
SP-G02AS	Mertik Gas Valve
G09	8 Pin Wire Harness

The manufacturer of Ortal's gas and electrical components is Mertik Maxitrol. For information on these components, please visit the manufacturer's website: www.mertikmaxitrol.com

Electrical



WARNING: Disconnect the power supply before servicing any electrical components.

Electrical Requirements

A duplex receptacle with two outlets (not included) must be installed in the location where the gas and electrical components will be placed, which must be to the side or back of the fireplace within **36 inches** of the pilot (see diagram in "Routing the Gas Line" section). Electrical work should be performed by a qualified licensed electrician, per local code.

Outlet Type	Power Requirements
1 Duplex Receptacle (2 outlets)	120V, 15 amp, 60Hz





NOTE: Any device that functions using the same radio frequency as the handset will be affected when remote-controlled handset is in use.

Pairing the Remote and Receiver

To set up the remote-control device to operate the fireplace, follow the following guidelines to pair the remote and receiver unit on the same radio frequency.

1. Press and hold the receiver's reset button until you hear two beeps. The first beep is short, and the second beep is long. After the second beep, release the reset button.



2. Within the subsequent 20 seconds, press the following button depending on the mode of operation:
 - **10-Button Handset:** Press the  button. "CONN" and a running number from 1 to 8 will appear on the handset display confirming that the synchronization and data exchange are in process.
 - **Puck Handset:** Press and hold the  button approximately 4 seconds.
 - **Wall Switch:** Use the 10-button handset to synch with the receiver. Once the remote and receiver are paired, the wall switch will function normally.
 - **MyFire App:** Use the 10-button handset to synch with the receiver. Once the remote and receiver are paired, the App will function normally.
3. You will hear two short beeps confirming the connection.

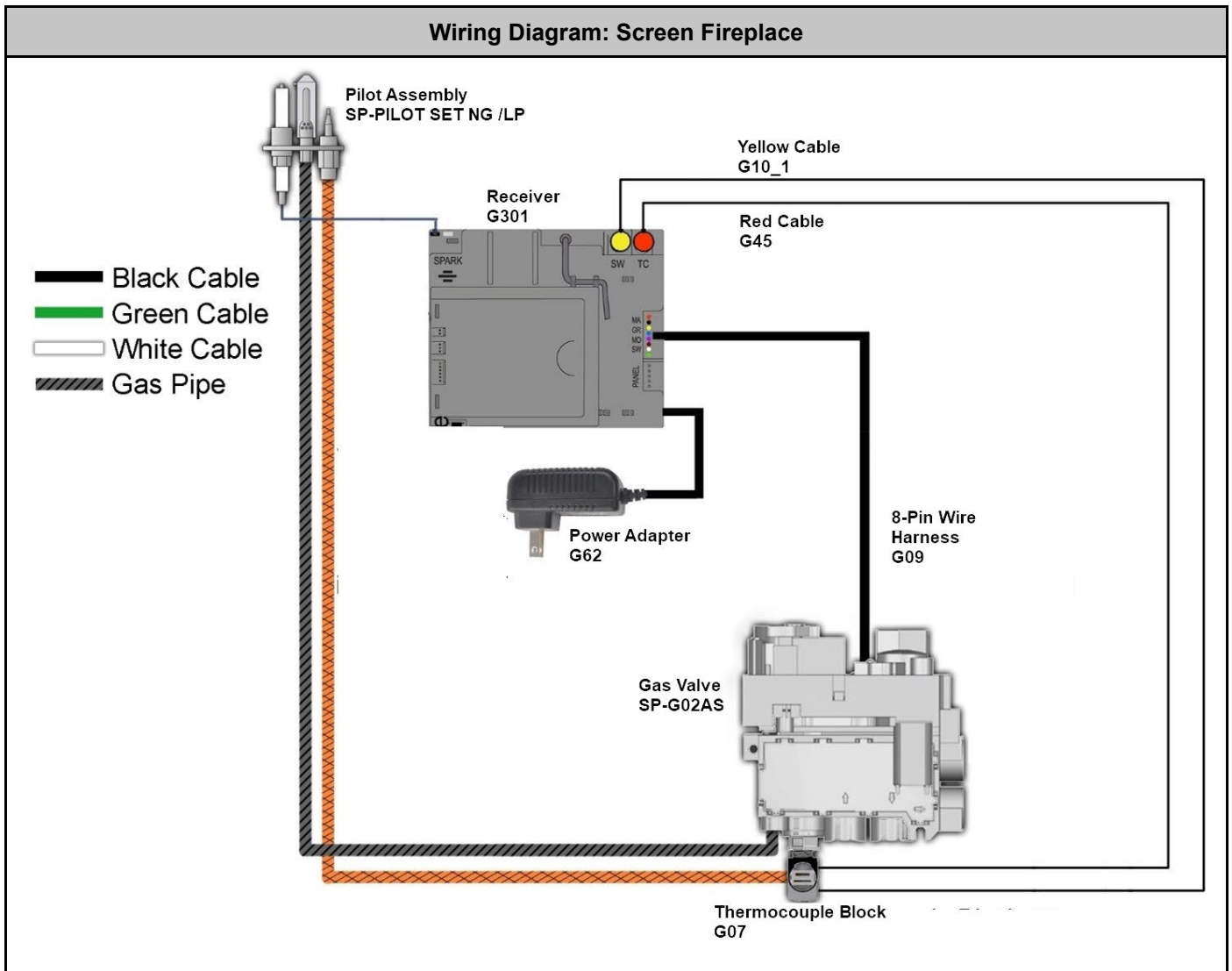


NOTES:

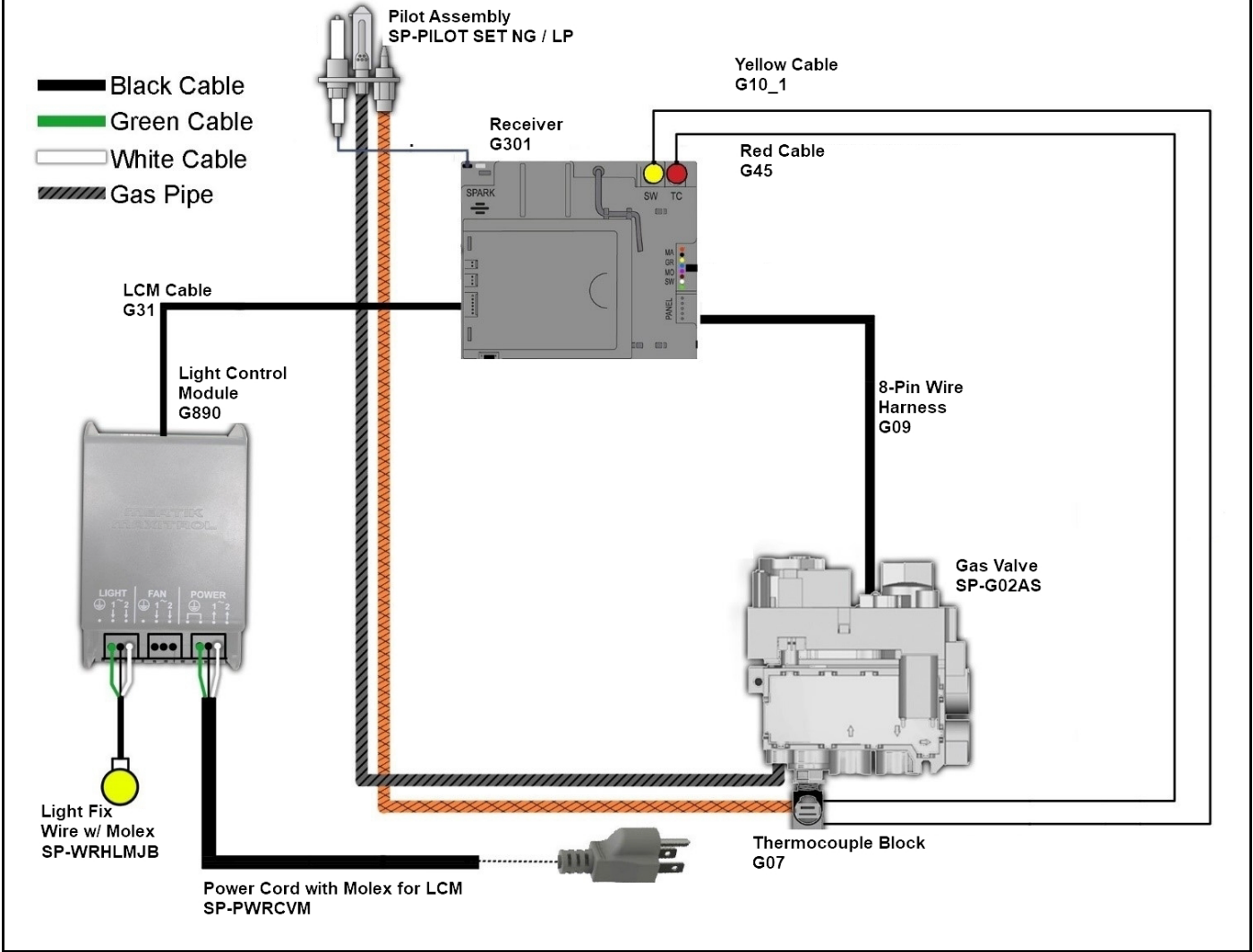
- If you hear one long beep, this indicates the connection has failed or the wiring is incorrect.
- The connection between remote and receiver only needs to be made once and is not required after changing the batteries in the remote.

→Wiring Diagrams

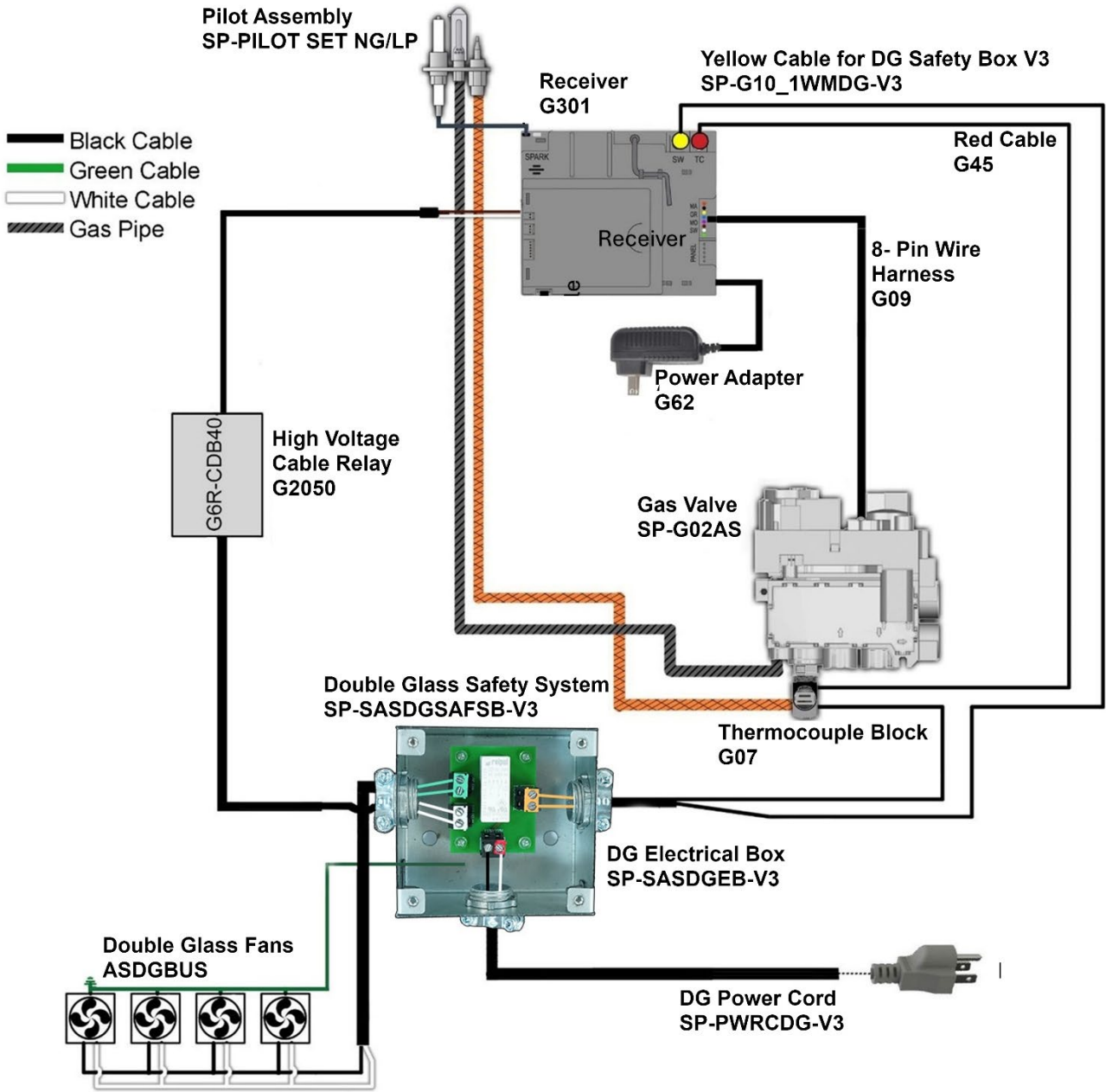
- The following diagrams show the electrical wiring required for different feature combinations. For wiring diagrams with Ortal or Energex power vent, refer to the applicable power vent manual. For wiring diagrams with CO shutoff kit, refer to CO Shutoff Kit spec sheet at www.ortalheat.com.



Wiring Diagram: Screen Fireplace with Interior Lighting

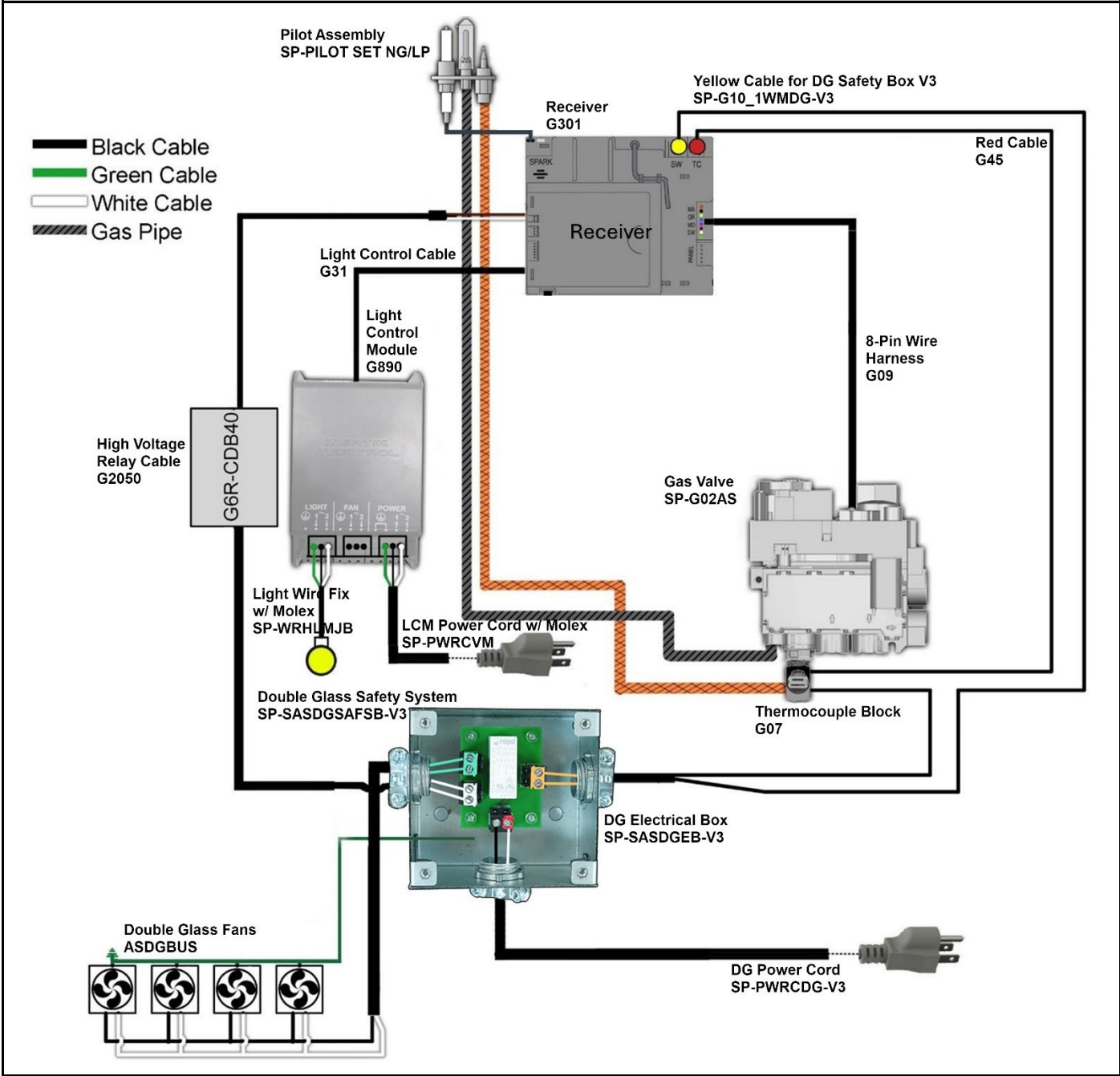


Wiring Diagram: Double Glass



NOTE: Version 3 Double Glass Safety Box cut in serial number is 45981.

Wiring Diagram: Double Glass with Interior Lighting



Home Automation Wiring Diagram

Use the following wiring diagram to connect fireplace control a hardwired home automation system.

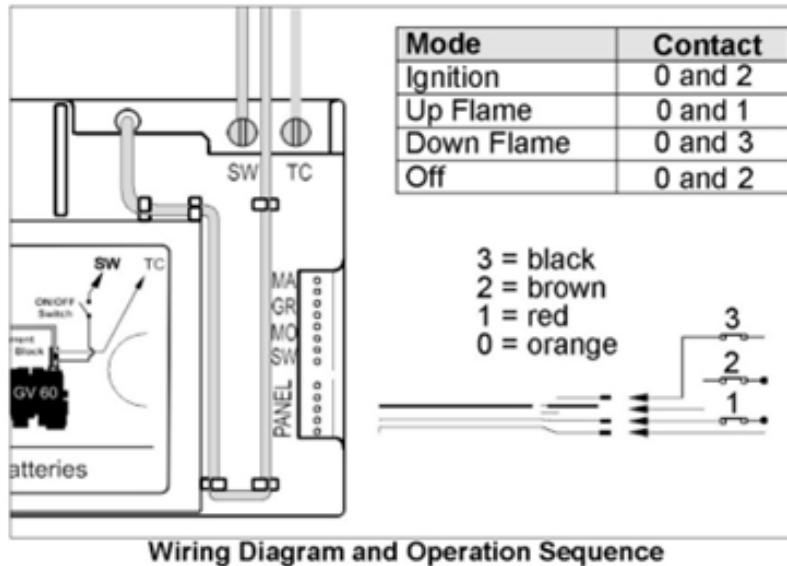
Contacts Options/Operation

Ignition: Close contacts 0 (orange) and 2 (brown) simultaneously for 1 second. Fireplace automatically goes to high after ignition.

Up Flame: Close contacts 0 (orange) and 1 (red) simultaneously. The contact needs to be closed for 12 seconds to turn the motor from end-stop to end-stop.

Down Flame: Close contacts 0 (orange) and 3 (black) simultaneously. The contact needs to be closed for 12 seconds to turn the motor from end-stop to end-stop.

Off: Close contacts 0 (orange) and 2 (brown) simultaneously for 1 second.



Mode of Operation: The external source provides ON and OFF operation only. The Timer/Thermostat handset provides all other functions.

NOTICE: The Timer/Thermostat handset in Thermostatic Model controls the room temperature even if the fire is turned on by the external source. If the handset is in Manual Mode, the fire will go to High Fire in the next cycle of external operation.

NOTE: This wiring diagram is for hardwired home automation systems only and will not connect the fireplace to a wireless system.

Interior Design Media

Ortal offers interior media options such as stones, glass, logs, and embers that can be provided with the fireplace. This section provides guidelines for safe placement of media. It is crucial that the placement guidelines outlined below are followed as a large portion of flame quality issues are caused by improper media setup.

WARNING: Only media provided by Ortal is permitted for use in the fireplace.

WARNINGS: INSTALLING AND HANDLING MEDIA

- **DO NOT** install the interior design media until fireplace installation is complete, the gas line is connected and tested for leaks, and initial burner operation has been inspected and approved.
- Media materials get very hot and will remain hot more than an hour after gas supply is turned off. Handle media only when materials are cool.
- If media is not installed according to the installation instructions, flame impingement and improper combustion may occur and result in soot and/or excessive production of carbon monoxide (CO). Carbon monoxide is a toxic, colorless, and odorless gas.

WARNING: The fireplace is NOT designed to burn wood. Any attempt to do so could cause irreparable damage to the fireplace and may result in property damage, personal injury and/or loss of life.

Media Placement Guidelines

When installing media, adhere to the following general guidelines:

- Keep the media back from the pilot hood so at least one burner port is open. Crowding around the pilot hood may hinder lighting and could result in potential damage to the fireplace and surrounding area or personal injury.



- Do not use the hood to support media. This could cause overheating of the thermocouple.
- Keep the media away from the edges and the glass.
- Do not overfill the media tray. Keep 20% of the tray open to allow for air flow.

Glass Media Placement

- When placing glass media, put only a single layer, and do not pack down. Once the media is placed, go back and move the glass back slightly to open the ports:



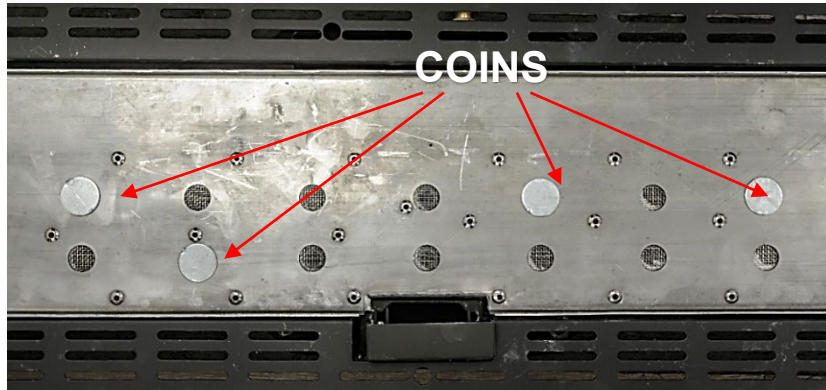
Stone Media Placement

- When placing stone media, use the space left by the round shape to leave the ports open.



Log Media Placement

- Place the logs carefully to block as few ports as possible. If a log is placed over a port, block the port with a “coin” to keep the flame from creating soot on the media or to manipulate the look of the flame.



- Block as few ports as possible, and no more than 30% of total ports. Do **NOT** block ports that are next to one another.
- When combining both logs and glass, it is recommended to place the logs (and coins if needed) first, and then to spread the glass according to the instructions given above.



Operation

WARNING – Read these instructions carefully before lighting the fireplace.

Four operation options are available for use with the fireplace:

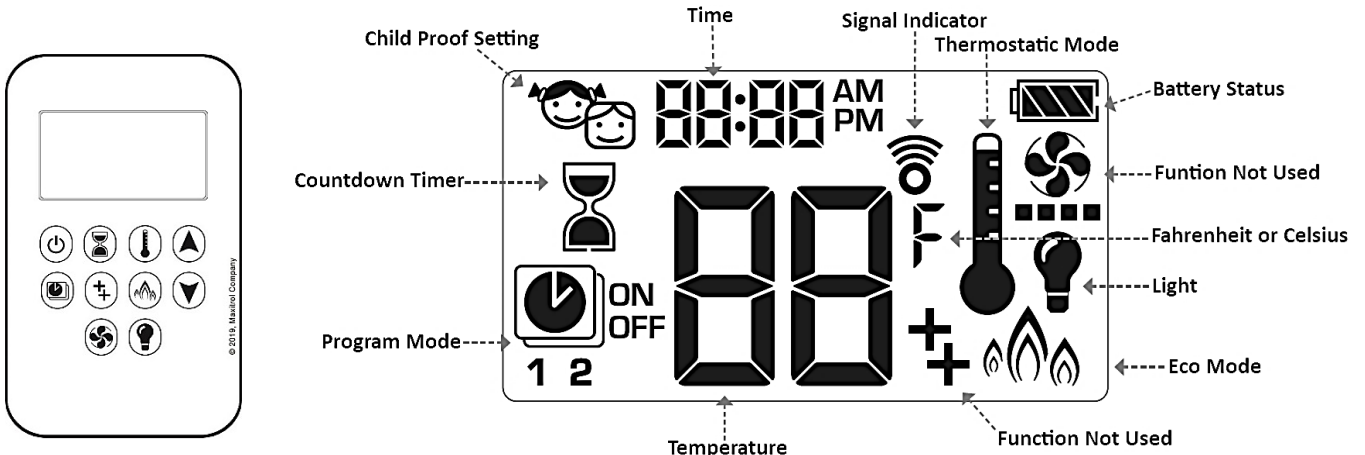
- 10-Button Remote Control Handset (default option, always included with the fireplace)
- Puck Handset (optional accessory)
- Wall Switch (optional accessory)
- MyFire Application (optional accessory)

IMPORTANT: The 10-Button remote control handset is always included with the fireplace regardless of which operation option is chosen. **DO NOT DISCARD.** The 10-Button remote must be kept within 26 feet of the fireplace at all times.

NOTES:

- Wiring of valve and receiver must be completed before starting ignition. Failure to do so could damage the electronics.
- If operating the fireplace without an AC adapter, battery replacement is recommended at the beginning of each heating season.
- Fireplaces with double glass, power vent, and/or interior lighting features must operate using the AC Adapter and therefore will not operate during a power failure.
- Only the Mertik Maxitrol AC Adapter is permitted for use with the fireplace. Use of other adapter brands can render the system inoperable. The handsets, receivers, wall switches are not interchangeable with other electronics.
- Batteries must be kept within their recommended temperature limits (32°F to 131°F).

10-Button Remote Control Handset



© 2019, Maxitrol Company

Control Option	Radio Frequency	Power Supply	
10-Button Handset	918.0 MHz (U.S. & Canada)	2 x 1.5V AAA batteries (quality alkaline recommended)	Replace batteries after 2 years or when low battery indicator appears on handset display

IMPORTANT: For safety/communication purposes, 10-button handset must be located within 26 feet of the receiver.

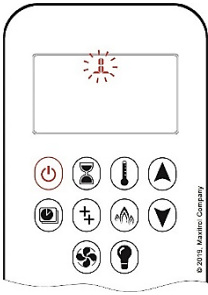
NOTE: Any device that functions using the same radio frequency as the handset will be affected when handset is in use.


Operating Instructions

Instructions for operating the 10-Button Handset are shown below. For more in-depth instructions, please refer to the "Homeowner's Fireplace Operation Manual" or "Remote Operation Instructions".

NOTE: Some options on the remote may not be available for all fireplaces.

Turning the Fireplace On




1. Press the  button until you hear continuous beeping, and a blinking series of lines confirms the start sequence has begun; release buttons.
2. Main gas flows once pilot ignition is confirmed.
3. The system automatically goes into Manual Mode after main burner ignition.

NOTE: When pilot ignition is confirmed, motor turns automatically to maximum flame height.

NOTE: If the Timer function has been set and the fireplace is manually turned on, the Timer function will need to be reset.

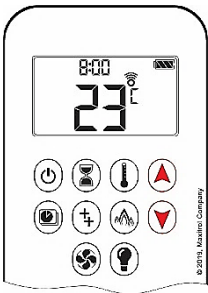
Turning the Fireplace Off





1. Press the  button to turn the fireplace off.

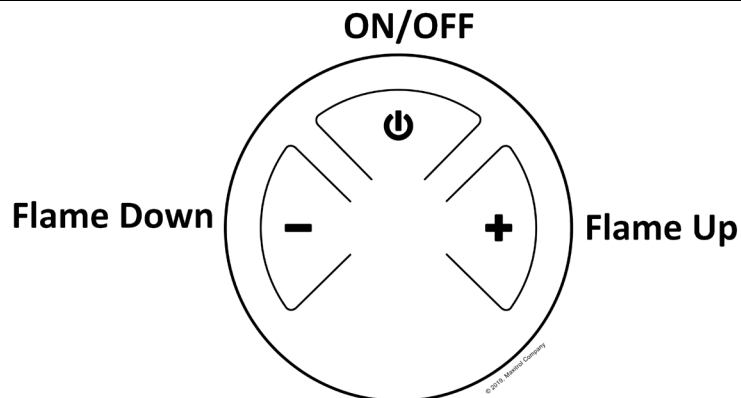
NOTE: The fireplace may be turned on again after the OFF icon stops flashing.

Flame Height Adjustment



1. To increase flame height, press and hold the  button to desired flame height.
2. To decrease flame height, or to set fireplace to pilot flame only, press and hold the  button.

Puck Handset



Control Option	Radio Frequency	Power Supply	
Puck Handset	918.0 MHz (U.S. & Canada)	2 x 1.5V AAA batteries (quality alkaline recommended)	Replace batteries after 2 years or when low battery indicator appears on handset display

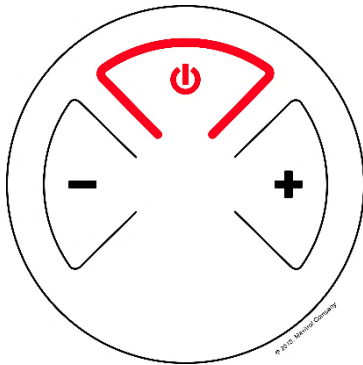
IMPORTANT: For safety/communication purposes, Puck handset must be located within 26 feet of the receiver.

NOTE: Any device that functions using the same radio frequency as the handset will be affected when handset is in use.


Operating Instructions

Instructions for operating the Puck Handset are shown below.


Turning the Fireplace On/Off



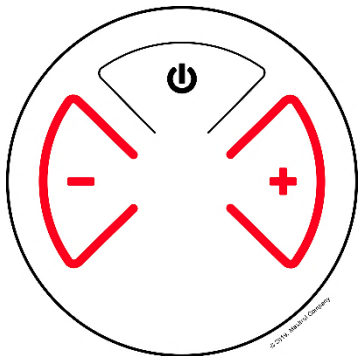
ON:

- Firmly press and hold the  button until two short beeps confirms the start sequence has begun; release button.

OFF:

- Firmly press the  button.

Increase/Decrease Flame Height



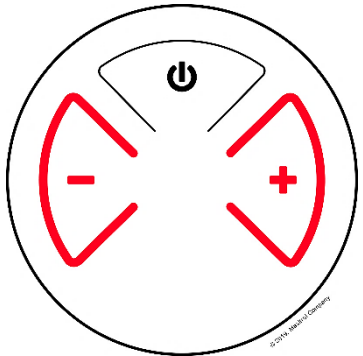
INCREASE:

- To increase flame height, press and hold **+** button.

DECREASE:

- To decrease flame height, press and hold **-** button.
- Holding the **-** button long enough sets the fireplace to pilot flame (Standby Mode).

Designated Flame Settings



DESIGNATED LOW FLAME SETTING

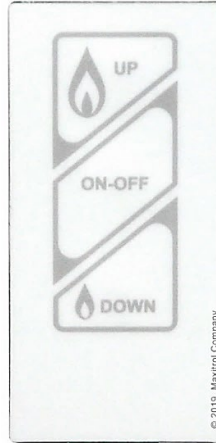
- To go to designated low flame setting, double-click **-** button.

 **NOTE:** Flame goes to High Flame before going to Low Flame.

DESIGNATED HIGH FLAME SETTING

- To go to designated high flame setting, double-click **+** button.

Wall Switch



Control Option	Radio Frequency	Power Supply
Wall Switch	N/A	N/A
IMPORTANT: For safety/communication purposes, the 10-button handset must be located within 26 feet of the receiver.		

Operating Instructions

Turning the Fireplace On/Off

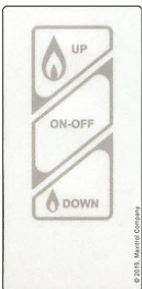


ON/OFF

ON: Press and hold the **ON-OFF** button until two short beeps confirms the start sequence has begun; release button.


OFF: Press the **ON-OFF** button.


Flame Height Adjustment




Flame Up

Flame Down

INCREASE: To increase flame height, press and hold  (up flame) button.

DECREASE: To decrease flame height, press and hold  (down flame) button.

Holding the  (down flame) button long enough sets the fireplace to pilot flame (Standby Mode).

Fireplace Maintenance

General Maintenance

All servicing, maintenance, interior cleaning and handling of the fireplace, parts and glass must be performed by an authorized Ortal dealer service technician only.

Servicing

- Turn off the gas and electricity **BEFORE** servicing the fireplace.
- It is recommended that a routine inspection is performed at the beginning of each heating season.
- When removing glass from multisided fireplaces, only one side of glass can be removed at a time. Glass must be re-installed before removing glass from a different side.

Metallic Noise

- Noise is caused by metal expanding and contracting as it heats up and cools down, like noise produced from a furnace. The noise does not affect the operation or longevity of the fireplace.
- These minor expansion, contractions or movement of parts causing noise are normal. Complaints related to these noises are not covered by warranty.

Burner and Vent Inspections

- Periodic checks should be made of the burner for correct position and condition. Visually check the flame of the burner, making sure that the flames are steady.
- The vent system must be inspected before use. Annual inspection must be scheduled to ensure the flow of combustion and ventilation air.

Submerged Parts

- Do not use the fireplace if any part has been under water, or if you suspect that it may have been under water. The Ortal dealer service technician must inspect and, if necessary, replace any parts of the control system and any gas controls which have been under water.

Handling the Glass

Inner glass panel is 5mm ceramic glass. Exterior double glass panel is 3/16" tempered glass. Tempered glass can be sourced locally if replacement becomes necessary. Ceramic glass must be provided by Ortal.

- When removing glass from multisided fireplaces, only one side of glass can be removed at a time. Glass must be re-installed before removing glass from a different side.
- **NEVER** operate the fireplace without the glass properly secured in place.
- Only an Ortal certified installer is authorized to remove the glass. Glass must be removed using an 8-inch glass-handling suction cup. Lower the glass to rest in a safe place to prevent damage to the glass edges.

Cleaning the Fireplace

- Only an Ortal dealer service technician can open the fireplace to clean interior surfaces.
- **ALWAYS** turn off the gas valve before cleaning.
- Do **NOT** clean when hot. Make sure fireplace has had time to cool prior to cleaning any surface or component, interior or exterior.
- Keep the fireplace clean by brushing and/or vacuuming at least once a year. This can only be performed by an Ortal dealer service technician.
- When removing glass from multisided fireplaces, only one side of glass can be removed at a time. Glass must be re-installed before removing glass from a different side.
- Clean the glass when it starts to look cloudy. Use a damp cloth for cleaning the fireplace and the door.
- Verify correct operation after servicing.

Maintenance Frequency and Equipment Checklist

- Under normal circumstances, the factory recommendation is to have the fireplace serviced at least once a year. Fireplaces meeting the following conditions should have more frequent service:
 - Fireplaces installed in commercial/public spaces should be serviced every 3 months.
 - Fireplaces installed in climates near the ocean or in other settings where corrosion buildup is more likely should be serviced every 6 months.
- Thermocouple Maintenance:
 - The thermocouple should be replaced annually or as needed in all commercial installations, and in any residential fireplace where the fireplace is operated for an average of 10 hours or more per day.
 - For all other installations, the thermocouple should be replaced every three years or as needed.

© Ortal 2026
Version 2.1, March 2026
SKU: KPMAN77NLUSV2.1

Ortal USA
2152 Citygate Drive, Columbus, OH 43219
T: (818) 238-7000 | F: (818) 678-0541
info@ortalheat.com | www.ortalheat.com