

# ORTAL®

## Installation and Operation Manual Outdoor Traditional Series

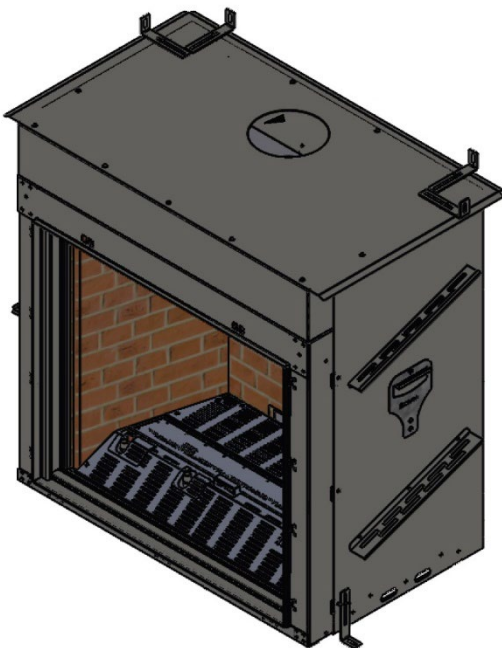
**! DANGER**

**HOT GLASS WILL CAUSE BURNS.**

**DO NOT TOUCH GLASS UNTIL COOLED**

**NEVER ALLOW CHILDREN TO TOUCH GLASS.**

A barrier designed to reduce the risk of burns from the hot viewing glass is provided with this appliance and must be installed for the protection of children and other at-risk individuals



**⚠ DANGER**  
**FIRE OR EXPLOSION HAZARD**

If you smell gas:

- Shut off gas to the appliance.
- Extinguish any open flame.
- If odor continues, leave the area immediately.
- After leaving the area, call your gas supplier or fire department.

Failure to follow these instructions could result in fire or explosion, which could cause property damage, personal injury, or death.

**⚠ WARNING**

Do not store or use gasoline, or other flammable vapors and liquids, in the vicinity of this or any other appliance.

An LP-cylinder not connected for use shall not be stored in the vicinity of this or any other appliance.

**⚠ WARNING: For Outdoor Use Only.**

Installation and service must be performed by a qualified installer, service agency, or the gas supplier.

**INSTALLER:** Leave this manual with the appliance.  
**CONSUMER:** Retain this manual for future reference.

**⚠ DANGER**

**CARBON MONOXIDE HAZARD**

This appliance can produce carbon monoxide which has no odor.

Using it in an enclosed space can kill you.

Never use this appliance in an enclosed space such as a camper, tent, car or home.

**⚠ WARNING:** If the information in this manual is not followed exactly, a fire or explosion may result causing property damage, personal injury, or loss of life.

**Ortal Traditional Outdoor Series:**  
Traditional 90  
Traditional 110



## Safety Information and Warnings

### **IMPORTANT NOTE: LOCAL CODE**

Local codes and regulations that are more stringent than the requirements in this manual take precedence over Ortal requirements.

### **WARNING: REVIEW ALL WARNINGS**

Be sure to review all safety warnings and installation guidelines contained in this manual. Consider installation location, vent configuration, clearances, structural requirements, framing and finish materials, and local codes. ALL warnings and instructions apply to all products manufactured and distributed by Ortal.

### **WARNING: DO NOT OPERATE FIREPLACE IF:**

The glass is NOT properly secured in place; Connection points are not sealed (for fireplaces with glass-to-glass connections); Glass is cracked; You smell gas; Any part of the fireplace has been under water; You have any doubt about safe operation of the fireplace. Immediately call a qualified, professional service technician to inspect the fireplace and to replace any parts of the control system and any gas controls which have been underwater.

### **WARNING: ELECTRICAL GROUNDING**

All electrical connections must be properly installed, insulated, and secured to avoid potential **ELECTRICAL SHOCK** and **FIRE HAZARD** and malfunction of the system. Consult local building code requirements. In the absence of local codes, refer to the National Electric Code, ANSI/NFPA 70, or the Canadian Electric Code, CSA C22.1.

### **WARNING: MATERIAL USAGE**

All materials and objects used to carry out the installation must be certified/approved or specified by Ortal and are suitable for use. Do NOT install the system with different materials or objects than those approved for installation by Ortal.

### **WARNING: INSTALLATION AND SERVICE**

Installation and repairs on the fireplace and vent system must be done by an authorized Ortal qualified installer service agency or gas supplier. If these components are not installed by an authorized Ortal dealer/installer, the warranty of all components will be void and Ortal will not be responsible for any damage caused by improper installation. The fireplace should be inspected before use and at least annually by a professional service person. More frequent cleaning may be required due to excessive lint from carpeting, bedding material, etc. Control compartments, burners and circulating air passageways of the fireplace must be kept clean. Any alteration to the product can cause soot or carbon to form and may result in damage. This damage and any other damage that results from not following the instructions outlined in this manual is not the responsibility of Ortal.

### **WARNING: HEAT BARRIER**

A barrier designed to reduce the risk of burns from hot viewing glass is provided with this fireplace and shall be installed. The fireplace MUST not be used without the heat barrier in place. If the barrier becomes damaged, the barrier shall be replaced with the manufacturer's barrier for this fireplace. **Any safety screen, guard, or barrier removed for servicing the fireplace must be replaced before operating.**

### **WARNING: FIREPLACE TEMPERATURE**

Due to hot temperatures, the fireplace should be located out of traffic and away from furniture and draperies. Children and adults should be alerted to the hazards of high surface temperature and should stay away to avoid burns or clothing ignition. Clothing or other flammable material should not be placed on or near the fireplace. **Young children should be carefully supervised when they are in the same room as the fireplace.** Toddlers, young children, and others may be susceptible to accidental contact burns. A physical barrier is recommended if there are at-risk individuals in the house. To restrict access to a fireplace or stove, install an adjustable safety gate to keep toddlers, young children, and other at-risk individuals out of the room and away from hot surfaces.

### **WARNING: GLASS HANDLING**

Only an Ortal certified installer is authorized to remove the glass using an 8-inch glass-handling suction cup.

### **WARNING: INSTALLATION AND OPERATION**

The fireplace and accompanying components must be installed as an OEM installation in manufactured homes (USA only) or an aftermarket permanently located, or a mobile home, where not prohibited by local codes. The fireplace must be installed in accordance with the Manufacturer's instructions and the Manufactured Home Construction and Safety Standard, Title 24 CFR, Part 3280, in the United States, or the Standard for Installation in Mobile Homes, CAN/CSA Z240 MH Series, in Canada. **Exceeding the restrictions imposed in these instructions may result in a fire or explosion, causing property damage, personal injury, or loss of life. Ortal will not be responsible for any damage caused by improper installation. Do not store or use gasoline or other flammable vapors and liquids near this fireplace.**

### **WARNING: GAS FIREPLACE**

This fireplace is for use only with the type of gas indicated on the rating plate. Solid fuels shall not be burned in this appliance. These fireplaces are not convertible for use with other gases unless a certified kit is used, and the conversion is performed by an authorized and qualified technician. Applicable standards approved to ANSI Z21.97- 2017/CSA 2.41 standards.

### **WARNING: CALIFORNIA PROP 65**

These products and the fuels used to operate these products (liquid propane or natural gas), and the products of combustion of such fuels, can expose you to chemicals including benzene, carbon monoxide, and ceramic fibers, which are known to the state of California to cause cancer and/or reproductive harm. For more information, visit [www.p65warnings.ca.gov](http://www.p65warnings.ca.gov).

# Table of Contents

“→” Denotes new or changed information from most recent version manual.

<b>General</b>	<b>2</b>
<b>Safety Information and Warnings</b>	<b>2</b>
<b>Product Information</b>	<b>4</b>
Models	4
Certification	4
Rating Label	5
Parts of the Fireplace	6
<b>Installation</b>	<b>7</b>
<b>Prior to Installation</b>	<b>7</b>
Locate the Fireplace	7
<b>Fireplace Installation</b>	<b>7</b>
Planning	7
Installation	7
Startup	7
<b>Post-Installation</b>	<b>8</b>
Initial Burning Period	8
Final Inspection Procedure	8
Final Checks and User Instruction	8
<b>Building Around the Fireplace</b>	<b>9</b>
<b>→Building Checklist</b>	<b>9</b>
<b>Framing</b>	<b>10</b>
Framing Requirements	10
Weather Proofing	10
Chase Floor/Leg Height	10
Minimal Framing Dimensions	11
General Clearances	12
Air Intake Openings	13
Access Panel	14
<b>Finishing</b>	<b>14</b>
Flush Installation	14
Recessed Installation	15
Maximum Overhang/ Mantel Depth	15
<b>Venting</b>	<b>16</b>
<b>General Venting Requirements</b>	<b>16</b>
<b>Vent Configurations</b>	<b>16</b>
<b>Clearances</b>	<b>18</b>
<b>Termination</b>	<b>18</b>
Horizontal Termination Clearance Diagram	18
Vertical Termination Clearance Diagram	20
<b>Vent Installation</b>	<b>21</b>
<b>Vent Maintenance</b>	<b>21</b>
<b>Gas</b>	<b>21</b>
<b>Gas Pressures</b>	<b>21</b>
<b>Routing the Gas Line</b>	<b>21</b>
<b>Gas Conversion</b>	<b>21</b>
<b>High Altitude Requirements</b>	<b>22</b>
<b>Electrical</b>	<b>22</b>
<b>Electrical Requirements</b>	<b>22</b>
Pairing the Remote and Receiver	22
<b>→Wiring Diagram</b>	<b>23</b>
<b>Replacement Parts</b>	<b>23</b>
<b>Interior Design Media</b>	<b>24</b>
<b>Media Placement Guidelines for Grate Burner</b>	<b>24</b>
HD Log Placement	24
Birch Log Placement	29
<b>Media Placement Guidelines for Flat Burner</b>	<b>34</b>
Glass Media Placement	35

Stone Media Placement	35
Log Media Placement	35

<b>Servicing the Fireplace</b>	<b>36</b>
Screen Removal	36
Glass Removal	38
Service Box	40
Service Box Internally	40
Service Box Externally	42
<b>Operation</b>	<b>43</b>
10-Button Remote Control Handset	43
Operating Instructions	44
Wall Switch	45
Operating Instructions	45
<b>Fireplace Maintenance</b>	<b>46</b>
General Maintenance	46

## Product Information

### Models

Series	Models	Burner	Certification Standard	Gas Types	Direct Venting
Outdoor Traditional	90 110	45 Decorative Burner (Double)	US: ANSI Z21.97-2017 Canada: CSA 2.41-2017	Natural Gas or Propane	<b>Standard:</b> <b>Type:</b> Passive Vent <b>Vent Size:</b> 5"x8" (co-axial)

#### NOTES:

- Venting is not supplied by Ortal with the fireplace. The fireplace is certified to be used with, and can be obtained from, the vent manufacturers outlined in "General Venting Requirements" section.
- Not for use with a Power Vent.

### Certification

These outdoor fireplaces are tested and approved to ANSI Z21.97- 2017/CSA 2.41 standards by PFS agency using listing #20-024. It should be installed by a qualified installer in accordance with local and state building codes using National Fuel Gas Code ANSI Z223.1/ NFPA54 or current CSA-B149.1 installation codes for Gas Burning Appliances and Equipment in Canada.

CSA Group is approved by the American National Standards Institute (ANSI) as an Accredited Standards Developer.

#### Certification Standard:

US: ANSI Z21.97 – Outdoor Decorative Gas Appliance  
Canada: CSA 2.41 – Outdoor Decorative Gas Appliance



The fireplaces are permitted for outdoor use only. An outdoor space is defined as the following per ANSI Z21.97: Outdoor spaces- An appliance is considered to be outdoor if installed with shelter no more inclusive than:

- With wall on all sides, but no over- head cover.
- Within a partial enclosure with includes an overhead cover and no more than two side walls. These side walls may be parallel, as in a breezeway or at right angles to each other; or
- Within a partial enclosure which includes an overhead cover and three sidewalls, as long as 30% or more of the horizontal periphery of the enclosure is permanently open.

#### IMPORTANT:

- Consult the authority having jurisdiction to determine the need for a permit prior to starting the installation.
- It is the responsibility of the fireplace dealer and installer to ensure that this fireplace is installed and framed in compliance with these instructions and all applicable codes.
- Before starting, take careful note of **ALL** the **WARNINGS** in this manual.

# Rating Label

The fireplace rating label is found on a metal plate separate included with the fireplace.




## DEALERS/INSTALLERS:

You **MUST** leave the fireplace's rating label with the fireplace in an area easily accessible by the owner (typically near the access panel, if available). You must instruct the owner before handing over the fireplace where this label can be found.

## OWNERS:

Make sure the installer leaves your fireplace's rating label in an area that is easily accessible for you. This information is required for servicing and receiving replacement parts.

ORTAL<sup>®</sup>

Manufacturer/Fabricant  
Ortal Ltd.  
14 Haharash St. Hod Hasharon, 4524087  
Israel  
Tel: 011-972-9-7402828  
Fax: 011-972-9-7402687

For use only with vent, glass and interior design media certified and approved for use with the appliance. Not for use with solid fuel. For use only with barrier(s) Part No(s). \_\_\_\_\_ Follow installation instructions.

Utilisez uniquement avec des conduits, des panneaux vitrés et des accessoires décoratifs intérieurs homologués et approuvés pour une utilisation avec cet appareil. Pas pour l'usage avec le combustible solide. À utiliser uniquement avec la ou les barrière(s) numéro(s) de pièce. \_\_\_\_\_ Suivez les instructions d'installation.

ORTAL  
 LYRIC

Approved By: \_\_\_\_\_  
 Homologué Par: \_\_\_\_\_

CSA No.: 2358468

Serial No.:

Tested to: CSA/ANSI Z21.97-2017 • CSA 2.41-2017 for Outdoor decorative gas appliances  
 Examiné à: CSA/ANSI Z21.97-2017 • CSA 2.41-2017 pour Appareils décoratifs extérieurs au gaz

Altitude rating: Estimation d'altitude:	0-2000 ft / 0-610 m.	Electrical Rating: Estimation Électrique:	120 volt / 60 Hz / less than 5A
--	----------------------	--	---------------------------------

**Model Series / Modèle Séries: Traditional With 45D Burner**

Outdoor Traditional 90       Outdoor Traditional 110

**For Outdoor Use Only / Seulement pour usage extérieur**

Fuel Type/Type de combustible:	<input type="checkbox"/> NG/GN	<input type="checkbox"/> PROPANE
	Double Orifice	Double Orifice
Max Input / Débit max. (BTU/HR):	55,000	34,459
Min Input / Débit min.(BTU/HR):	9,000	16,742
Orifice Size / Taille de l'orifice:	800R+650F	220R+160F
Gas Inlet Pressure (W.C.) inches: Pression d'entrée de gaz (CE) pouces:	Min.: 7.0    Max.: 11.0	Min.: 11.0    Max.:13.0
Gas manifold Pressure (W.C.) inches: Pression d'alimentation (CE) pouces:	5.2	10.0

Clearances to Combustibles (with included standoffs): Espacement par rapport aux matériaux inflammables (avec entretoises inclus):	Sides: Côtés:	0"	Back: Arrière:	0"	In front of Glass Devant le panneau vitré:	16"
--	------------------	----	-------------------	----	---	-----

Also adhere to clearance diagrams and instructions included in the ORTAL manual.  
 Adhérer également aux schémas d'espacement et des instructions figurant dans le manuel ORTAL.

**High Altitude Installations / Installations en haute altitude**

- **In the USA:** Reduce input rate 4% for each 1000 feet above 2000 feet.
- **In Canada:** For altitudes 2,000-4,500 feet the 10% input rate reduction should be used.  
 NG: Input: 7.0 Manifold pressure: 4.2 Orifice: 800R+650F  
 PROPANE: Input: 11.0 Manifold pressure: 8.0 Orifice: 220R+160F  
 For operation above 4500 feet refer to B149
- **Aux États-Unis :** Réduisez le débit d'entrée de 4 % tous les 305 mètres au-dessus de 610 mètres.
- **Au Canada :** Pour les altitudes de 610 à 1,370 mètres, la réduction du débit d'entrée de 10 % doit être utilisée.  
 GN: Débit: 7.0 Pression d'alimentation: 4.2 Orifice: 800R+650F  
 PROPANE: Débit: 11.0 Pression d'alimentation: 8.0 Orifice: 220R+160F  
 Pour une utilisation au-dessus de 1,370 m, consultez B149.

SKU: M209-ODTR-B45D

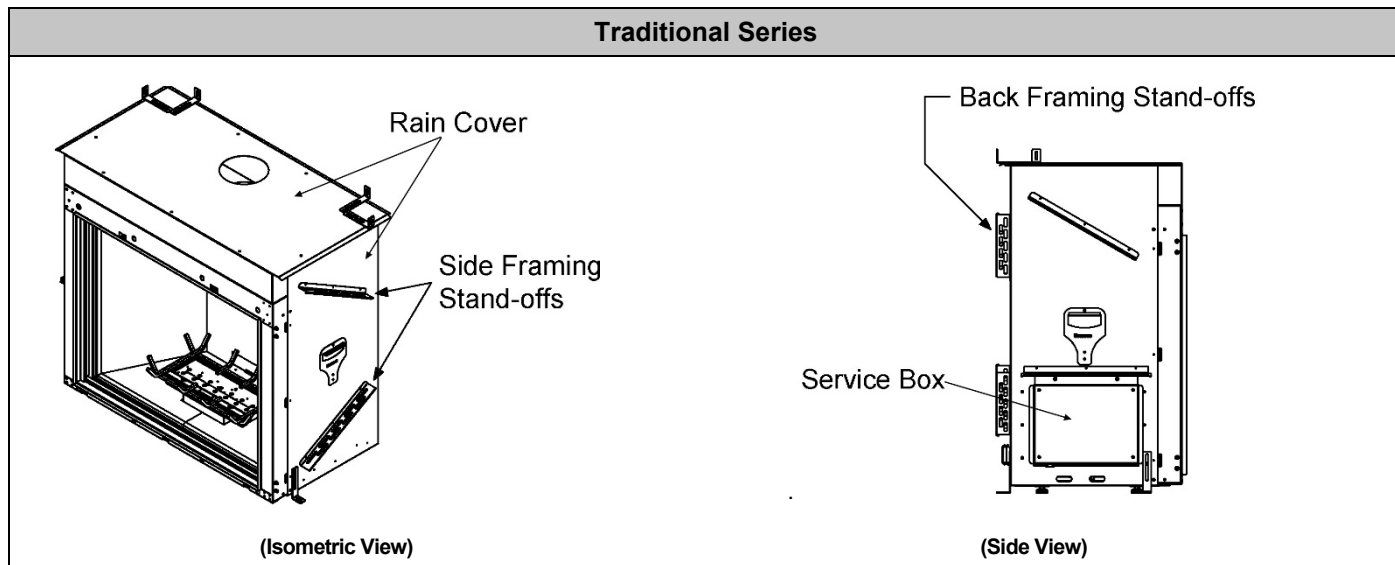
### Traditional Series Rating Label

## Parts of the Fireplace

**Side & Back Framing Stand-offs:** Attached to the sides and back of the fireplace, keeping enough distance from the fireplace to the framing to allow for proper airflow inside the chase.

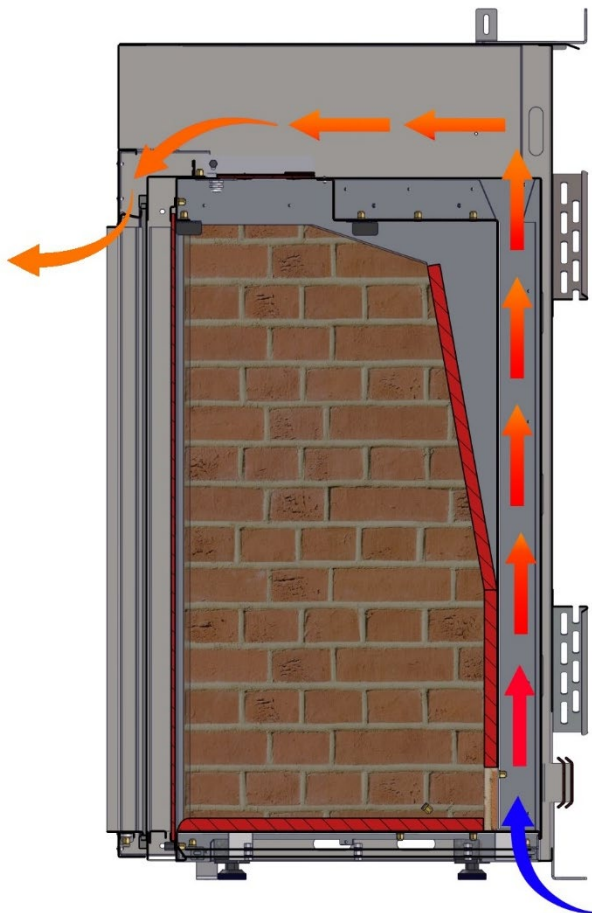
**Service Box:** Attaches to either the sides or underneath the fireplace. It houses electrical components for weatherproofing protection.

**Rain Cover:** Encloses the firebox, to assist with proper airflow and keep the fireplace weatherproof.



## Airflow

The diagram below depicts the airflow through the fireplace from the air intake.



# Installation

## Prior to Installation

### Locate the Fireplace

Keep the following factors in mind when selecting a location for the fireplace:

- Fireplace clearance requirements
- Adequate space for servicing.
- Access panel, depending on location of service box
- Minimum vertical vent rise, allowed horizontal lengths, and number and orientation of elbows
- Framing and finishing requirements
  - Front wall installation and finishes to be completed after fireplace and vent installation
- Floor/Platform requirements

## Fireplace Installation

Use the following guidelines to ensure smooth installation. The installation sequence is divided into three phases: Planning, Installation, and Startup.

### Planning

Consult with the contractor and go over all requirements:

- Chase framing requirements, including weatherproofing
- Air Intake requirements and weatherproofing
- Service Box Location
- Access panel size and location and weatherproofing
- Gas and electrical specs and location.
- Vent configuration.
- Finishing details.



**NOTE:** Provide the contractor with a printed copy of the “Building Checklist” and review requirements with them.

### Installation

- Confirm the following items are properly located and built to specification:
  - Framing
  - Platform (if applicable)
  - Gas and electrical
  - Access panel (if applicable)
  - Air intake
- Clear a path free of any possible obstruction to carry in the fireplace.
- Uncrate the fireplace and set it in place.
- Make sure all stand-offs on the outside of the fireplace are fully extended.
- Remove all zip ties.
- Move the components to the access panel location. Be mindful of the routing for future service needs.
- Install the vent components. See “Vent Installation” section.
- Review the front wall requirements and finishing details with the contractor.
- Protect the fireplace and components from damage.

### Vent Installation

Venting must be installed according to the requirements detailed in the “Venting” section of this manual in conjunction with the vent system manufacturer’s installation instructions. Venting must be supported by the structural surrounding and not by the fireplace. Each elbow must be strapped to reduce movement or possible disconnection.

### Startup

- Perform a visual inspection to confirm that all work was completed correctly and per specification.
- Confirm that gas and electrical are properly connected and live.
- Remove the safety barrier and glass and clean the inside of the fireplace.
- Place interior design media as specified in the “Interior Design Media” section
- Confirm the fireplace is operating properly.
- Check remote-control setup.
- Remove protective layer from glass.
- Clean glass.
- Reinstall the glass and safety barrier.
- Review operation of the fireplace and remote control with the owner.
  - Discuss location to store remote that is weatherproof and within 26’ of the appliance.
- Set up return visit to clean glass after the Initial Burning Period (see “Post-Installation” section)

## Post-Installation

### Initial Burning Period

There is a 12-hour minimum burning period following installation of the fireplace. This 12-hour period must include a minimum of 4 consecutive hours of continuous burning. During this time, the owner or installer may notice:

- The glass developing a white or “cloudy” residue.
- An unusual smell

Both the residue and the smell are due to the paint on the fireplace metal heating and “burning off”. This is normal. The cloudiness and odor will disappear after the 12-hour period elapses and the installer returns to service the fireplace and complete startup.

### Final Inspection Procedure

When the 12-hour burning period is complete, the installer should return and perform the final inspection, which includes:

- Cleaning the glass with a ceramic glass cleaner (otherwise the white residue will remain)
- Checking the interior media setup
- Checking for gas leaks
- Adjusting the restrictor (if necessary)
- Performing an overall check to make sure that everything is working properly.

When these activities are complete, initial startup is concluded, and the fireplace may be operated by the owner.

### Final Checks and User Instruction

Before releasing the fireplace to the customer for use without installer supervision, the installer must ensure that the fireplace is burning correctly. In addition, the installer must review and explain the following to the owner:

- Safety warnings
- Fireplace operation
- Warranty requirements
- Maintenance requirements
- Glass is hot during and after operation.
- If any questions or concerns arise, the owner must contact the local Ortal dealer/installer for support.

## Building Around the Fireplace

### →Building Checklist

The following building checklist is a quick reference for a typical Outdoor Traditional series fireplace installation. This list is not exhaustive and does not supplement thorough review of the installation manual.

- ☑ **Fireplace Location:** Ensure the location allows for min. 16" clearance from viewing area to combustibles. Make sure a clear path is established to allow the fireplace to be safely transported to installation location.
- ☑ **Exhaust Vent:** Confirm vent size (5"x8"), vent clearance (1" on sides and bottom, 3" on top), vent configuration, and termination location.
- ☑ **Height from Floor:** Fireplace leg height is 2 ¾" (to the bottom of the lower drywall lip). Platform can be integrated if viewing area height is desired to be taller.
- ☑ **Chase Floor:** Floor must be able to bear the weight of the fireplace. It must be constructed out of non-combustible materials.
- ☑ **Chase Construction:** No materials can be attached directly to the fireplace (exception: facing material that is 5/8" for flush finishing). **Weatherproofing** of the chase is essential when installing an outdoor fireplace.
- ☑ **→Framing:** Adhere to minimum framing dimensions (or greater). *When constructing the framing for the fireplace, please add up to +.25" variance to each side, and the top, of the fireplace frame. This added variance will allow added space to maneuver and adjust the fireplace when setting it in the chase.* Framing materials can only be **non-combustible**. For recessed fireplaces, do not exceed 12" max. front overhang depth limit. No material is permitted to extend past the metal lip surrounding the fireplace viewing area.
- ☑ **Gas Supply Line and Power Location:** Locate gas line with manual shut off according to local code. Power provided by a duplex outlet receptacle (120V, 15 amp, 60Hz) in same area as gas line. Ensure all local codes are followed, per the outdoor requirements.
- ☑ **Access Panel:** An access panel is necessary if the service box is located on the side of the unit to access gas and electrical components for servicing. If the service box is installed under the fireplace, servicing can be done through the fireplace, and an access panel is not necessary, but highly recommended.
- ☑ **Air Intake:** Required on all installations. Air intake must be 1" from the bottom of the chase and a minimum of 64 sq. inches and **is only allowed on the left side of the chase.**
- ☑ **Finishes:** For finishes flush to the fireplace, no clearances are required. For finishes where the fireplace is recessed to the finish, maintain 1/8" from the finish to the front face of the fireplace. **All materials must be non-combustible.**

## Framing

### Framing Requirements

Fireplace chase may only be framed with non-combustible materials (typically metal studs).

The framing of the fireplace chase must be designed to carry the entire weight of the wall and finish material. The surrounding material must not transfer weight to the fireplace or be connected in any way to the fireplace. Consult with the project structural engineer and refer to your local building codes for proper wall support.

No material is permitted to extend past the  $\frac{5}{8}$ " deep metal drywall lip surrounding the fireplace viewing area. This area must be unobstructed to allow the heat barrier and inside glass panel to be removed. A thickness of  $\frac{5}{8}$ " will allow the finishing surface to be flush with the front of the unit.

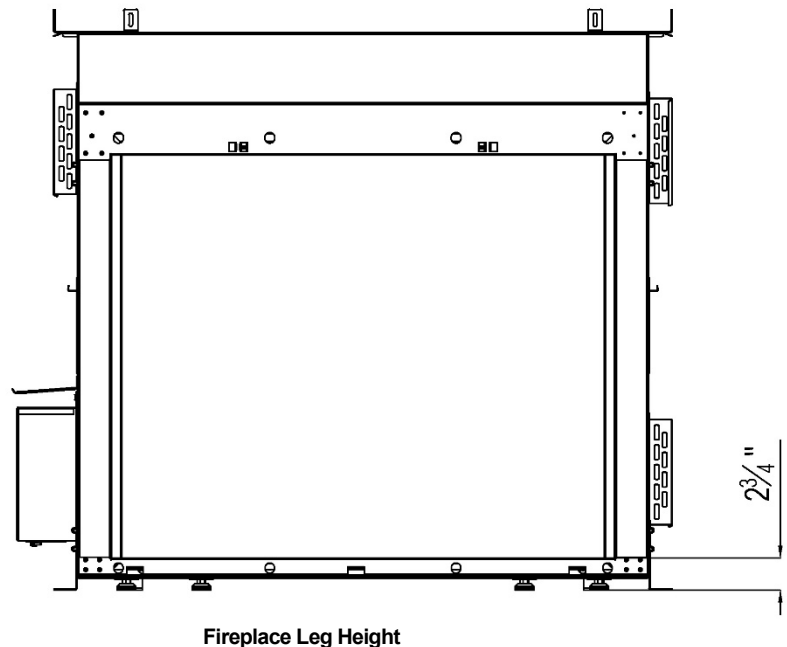
### Weather Proofing

- The fireplace must be located inside of a weatherproof enclosure.
- Flashing must be installed around the fireplace opening in accordance with local building codes to prevent moisture from entering the enclosure.
- A drip pan (not supplied with the unit) is recommended to be installed under the fireplace and be provided with a means of draining.
- Care must be taken to select materials and building practices which will protect the enclosure and fireplace from exposure to moisture.
- Water or moisture can accumulate through the screen, a deflector is designed into the front of the fireplace to help deflect this water in the chase.

### Chase Floor/Leg Height

The fireplace must be installed on a flat, solid, continuous surface. Surface must be constructed from non-combustible materials.

The fireplace leg height is  $2\frac{3}{4}$ " measured to the bottom of the lower drywall lip. Legs cannot be removed, cut, or adjusted.



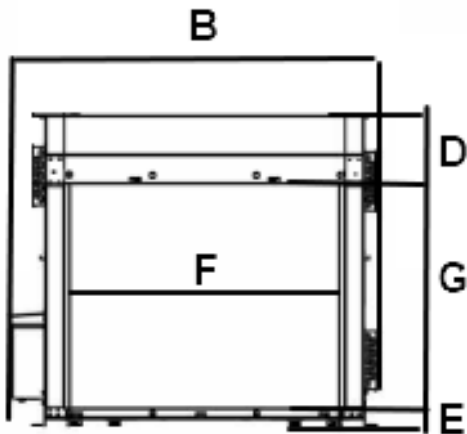
Fireplace Leg Height

**Raised Platform Option:** To raise the fireplace higher than  $2\frac{3}{4}$ " build a platform for the fireplace to stand on. The platform must be stable and able to bear the full weight of the fireplace. Platform must be constructed from non-combustible materials.

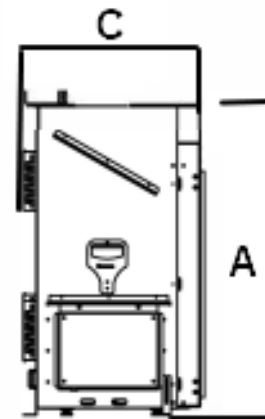
## Minimal Framing Dimensions

The following diagrams are for illustrative purposes only. There are multiple approved framing scenarios. A flush application is not the only permitted application. The fireplace may be recessed into the wall. Refer to diagrams and values below and in the following pages for details.

### Outdoor Traditional Series



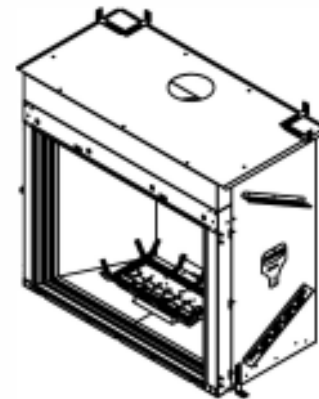
Front View



Side View

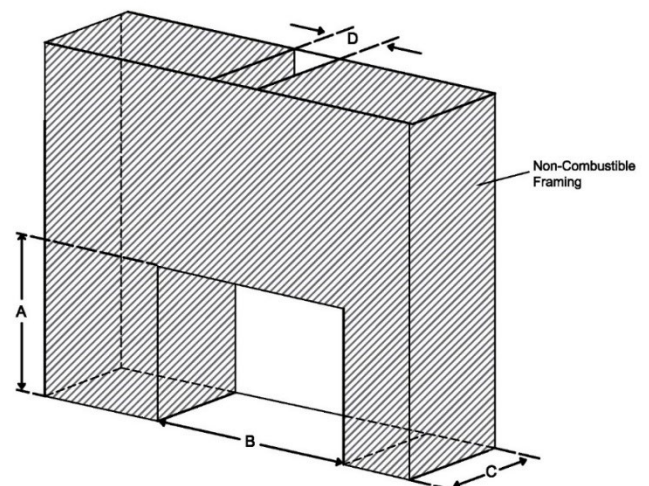


Top View



Fireplace	A: Height	B: Length	C: Depth	D: Stand-Off	E: Legs	F: Glass Length	G: Glass Height
TR 90	44 <sup>7</sup> / <sub>8</sub> "	51 <sup>3</sup> / <sub>4</sub> "	26 <sup>1</sup> / <sub>2</sub> "	10 <sup>3</sup> / <sub>8</sub> "	2 <sup>3</sup> / <sub>4</sub> "	35 <sup>3</sup> / <sub>8</sub> "	31 <sup>5</sup> / <sub>8</sub> "
TR 110	47 <sup>3</sup> / <sub>8</sub> "	59 <sup>3</sup> / <sub>8</sub> "	26 <sup>1</sup> / <sub>2</sub> "	10 <sup>3</sup> / <sub>8</sub> "	2 <sup>3</sup> / <sub>4</sub> "	42 <sup>3</sup> / <sub>4</sub> "	34 <sup>1</sup> / <sub>4</sub> "

Framing		
Fireplace	TR 90	TR 110
A: Height	44 <sup>7</sup> / <sub>8</sub> "	47 <sup>3</sup> / <sub>8</sub> "
B: Length	51 <sup>3</sup> / <sub>4</sub> "	59 <sup>3</sup> / <sub>8</sub> "
C: Depth	26 <sup>1</sup> / <sub>2</sub> "	26 <sup>1</sup> / <sub>2</sub> "
D: Firestop	Refer to pipe manufacturer's firestop dimensions	

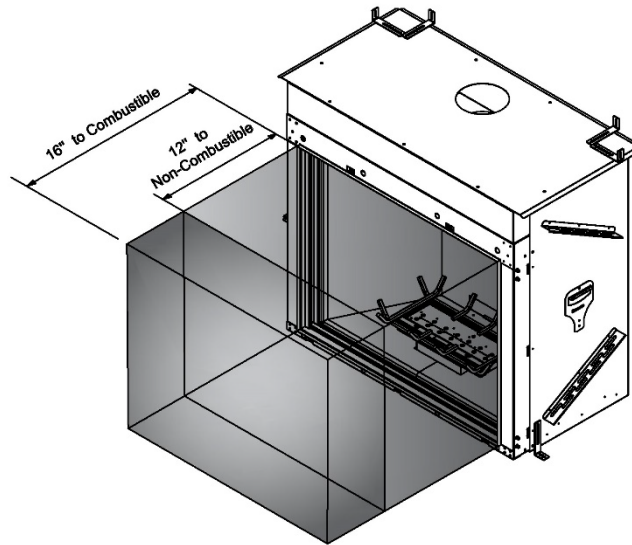


## General Clearances

### Viewing Area Clearance Zone

The viewing area clearance zone is an area that extends perpendicular from the fireplace viewing area. The depth of the viewing area clearance zone depends on the combustibility of the material in question. Distance is measured from the fireplace heat barrier.

<b>Non-Combustible Materials</b>	Must be minimum <b>12 inches</b> from fireplace viewing area.
<b>Combustible Materials</b>	Must be minimum <b>16 inches</b> from fireplace viewing area.

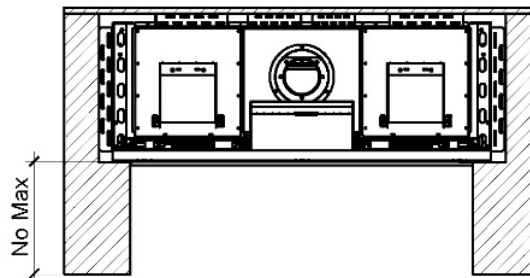



Materials (including flooring and non-combustible finish material) are permitted below and around the viewing area clearance zone.

**!** **IMPORTANT NOTE:** When placing material near the glass, take care to consider fireplace serviceability. It is strongly recommended that any items/materials placed in front of the front (long) glass be movable for easy access to the fireplace during servicing.

### Clearance to a Side Wall

The fireplace viewing area is zero-clearance to a side wall. A side wall is defined as a wall that meets the viewing area at a 90° angle.



 = Building Material (must be non-combustible materials)

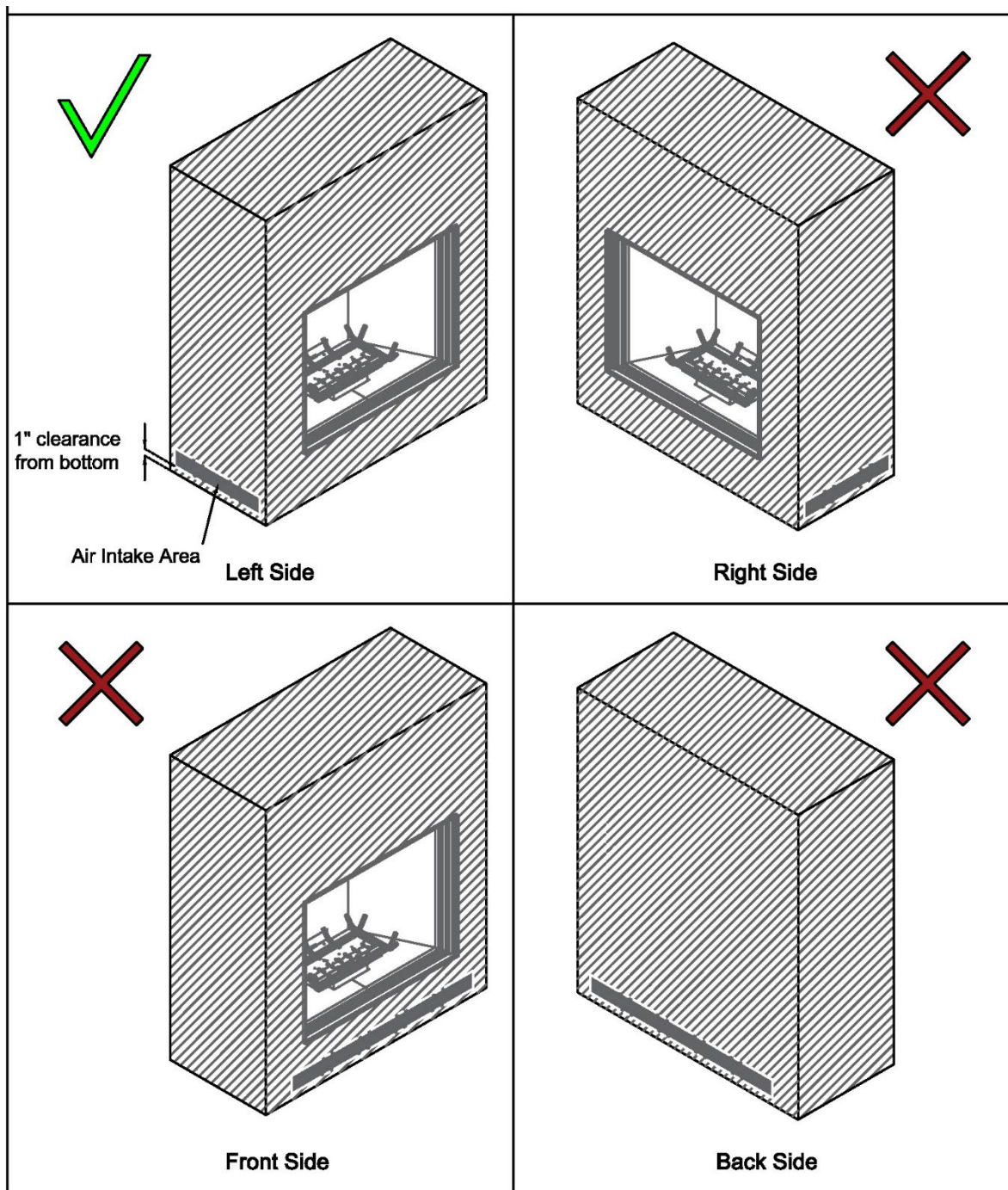
## Air Intake Openings

An air intake opening must be incorporated into the framing and finish around the fireplace. The air intake opening is essential to maintain cool air flow throughout the chase. The opening must meet the minimum size requirement, as stated in the table below.

Fireplace Series	Air Intake Opening Size
Traditional	Minimum 64 sq. in. of free air space

The air intake opening should be finished in the form of a louvered ventilation grille, to prevent infiltration from the elements. The net free air space allowed in the louvered area must be equal to or greater than the minimum number of square inches required per fireplace.

The air intake is required to be on **the left side of the chase only** for the Traditional series. The air intake must be 1" from the bottom of the chase to prevent any infiltration of standing water. A minimum of 64" square inches. Height cannot exceed the width of the air intake.



## Access Panel

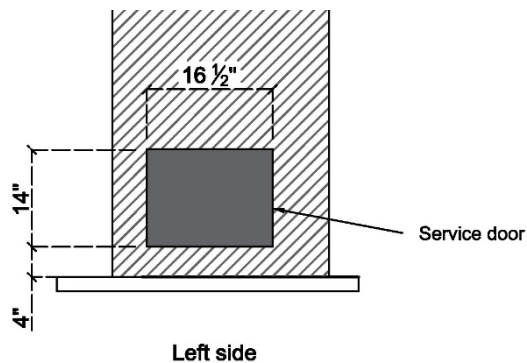
An access panel is not required on the Traditional fireplaces due to an access panel on the inner left side of the fireplace, we highly recommend installing an external access panel. This will save you time when future servicing is needed for the fireplace, allowing easy access to the electrical/gas components without having to completely remove the media and refractory. Please refer to the "Servicing the Fireplace" section for details on how to access the service box.

Access Panel Size and Location Recommendations:

- Size: 14" height by 16.5" width is the **minimum**
- Location: Component box is located on the left side of the fireplace.  
Refer to image on the right and or product drawing for details

The size and location of the access panel may vary, but in all cases, it must allow the technician to comfortably access and remove the component box to service the fireplace's gas and electrical components without compromising the weatherproofing integrity of the chase.

Prior to installation, fireplace dealers/installers should work with the owner, builder, project architects and/or interior designers to determine the best size and location of their access panel.



**NOTE:** If local code requires an access panel, defer to local code requirements.

## Finishing

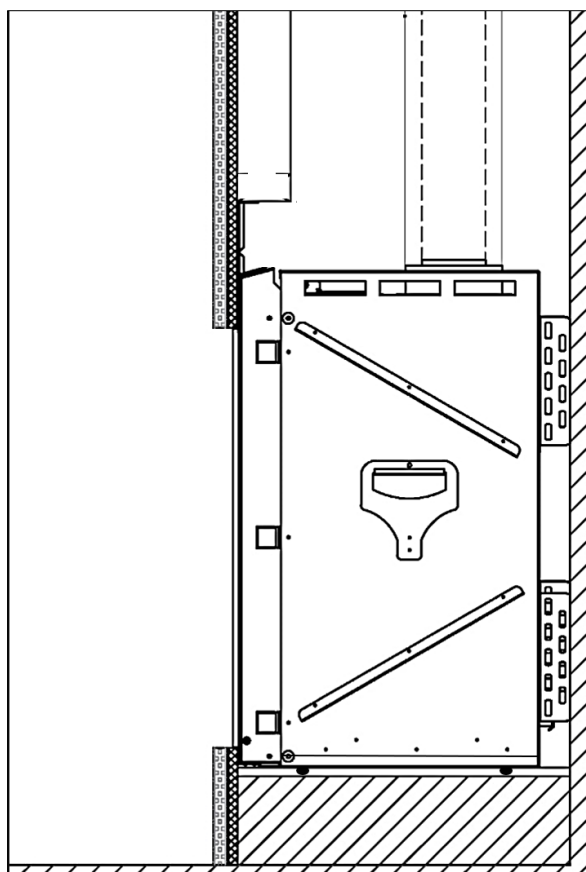
The following diagrams show various finished applications. **Diagrams apply to only non-combustible finish material.**

**IMPORTANT NOTES:**

- All recessed installations must comply with applicable maximum overhang limit and side wall clearances. See "Maximum Overhang/ Mantel Depth" and "Clearance to a Side Wall" sections for details.
- No material is permitted to extend past the metal lip surrounding the fireplace viewing area. This area must be unobstructed to allow the heat barrier and inside glass panel to be removable.
- All finishing materials must be non-combustible.

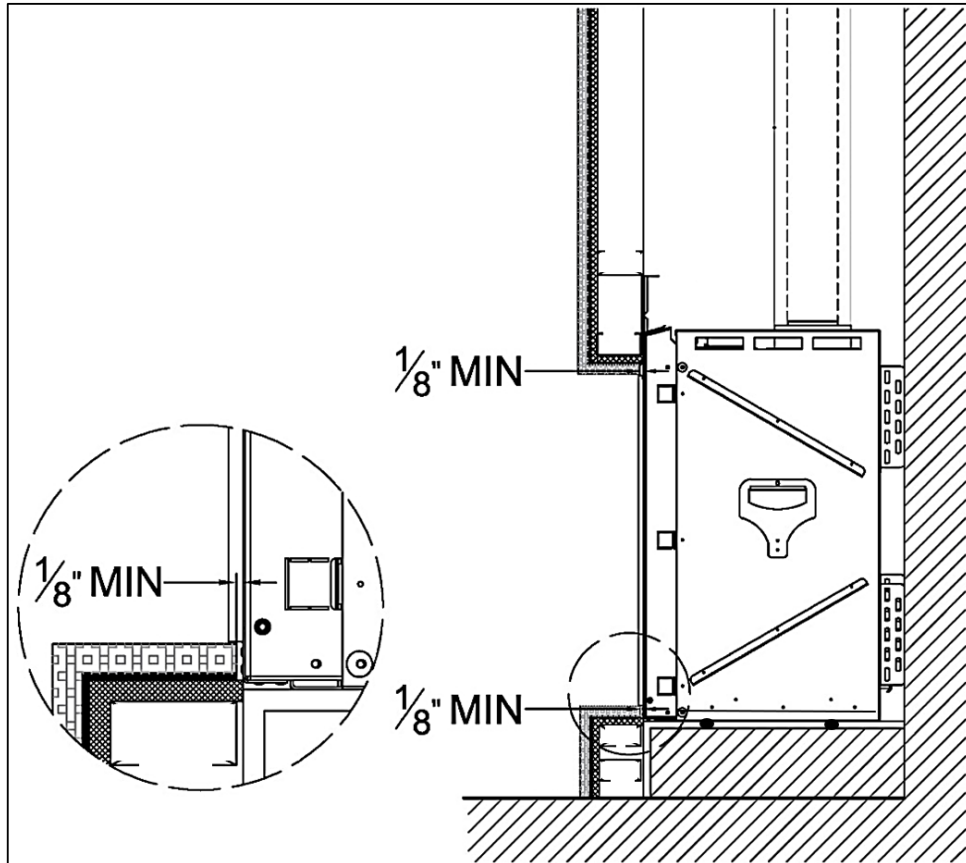
## Flush Installation

**Diagram applies only non-combustible finish material.**



## Recessed Installation

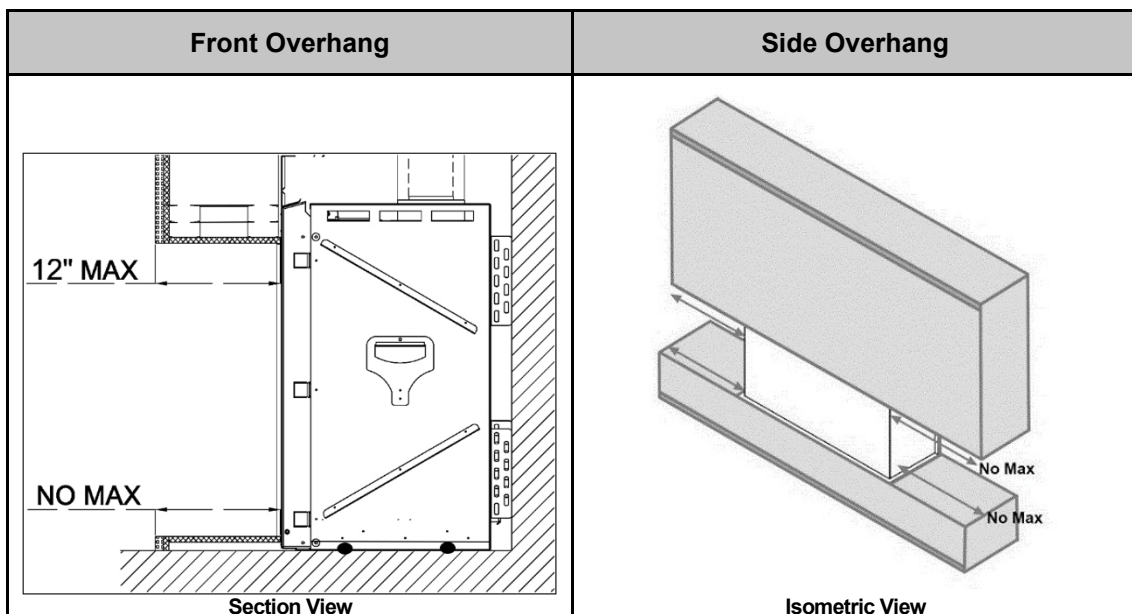
Diagram applies only non-combustible finish material. The finish must maintain at least a 1/8" clearance to the fireplace to both the top and bottom recesses.



## Maximum Overhang/ Mantel Depth

Overhang depth of a recessed fireplace must not exceed **12 inches** when located at the top finishing lip or top of the viewing area. Overhang depth is measured from the edge of the fireplace lip to the out-most part of the wall (including finish material). For a deeper, the overhang/mantel must be moved up the chase farther. **Side overhang has no limit.** Overhang/Mantel is required to be constructed out of all non-combustible materials.

Bottom recess (or "hearth extension") has no minimum or maximum depth requirement. If bottom recess depth exceeds 12 inches, ensure the structure is capable of supporting the weight of a fireplace technician for servicing. Framing and finishing materials must be non-combustible.




# Venting

## General Venting Requirements

The fireplace operates using a direct vent system and requires co-axial direct vent pipe. The fireplace must be properly connected to an approved vent system. Venting is not provided with the fireplace and must be sourced from one of the approved vent manufacturers mentioned in the table below. Proper installation, use, and maintenance of venting is determined by and can be acquired from the vent manufacturer. Models in this section are just for example, and do not reflect the Traditional Outdoor chassis.

Vent Requirements			
Fireplace Model	Direct Vent Type	Vent Size	Approved Vent Manufacturers
TR 90 TR 110	Passive Vent (standard)	5x8 co-axial direct vent pipe (5" interior, 8" exterior)	Olympia: Ventis DuraVent: Direct Vent Pro ICC: EXCELDirect BDM: Pro-Form Direct Vent System Selkirk: Direct-Temp System

 **NOTE:** Depending on which approved vent manufacturer is used, it might be necessary to seal up the interaction at the top of the fireplace between the venting and outer wrap using flashing to create a tight seal.

 **TERMINATION CAP NOTE:** Low Profile Termination Cap and Sconce Termination Cap can negatively impact flame appearance and are not recommended for use with the fireplace.

 Power Vents are not allowed for use with Outdoor Fireplaces.

 **WARNING:** Do not combine vent components from different vent manufacturers. Please follow the manufacturer's instructions for vent system installation.


## Vent Configurations

The following sections provide information for calculating vent configuration distances and elbows.

**Please consider the following guidelines when determining vent configuration:**

### Elbows

- **Maximum Elbows:** Up to four 90° elbows can be used in the vent configuration. Two 45° elbows = one 90° elbow.
  - **45° Vertical Offset Exception:** Two 45° elbows in the vertical plane with a diagonal run in between is equal to **0 elbows**. They are not counted with other elbows in the vent configuration. This offset exception is applicable immediately on the top of the fireplace and anywhere else within the vent configuration.  
**The diagonal run between the two 45° elbows must be included when calculating vertical and horizontal distances.**
  - **45° Horizontal Offset:** Two 45° elbows that begin and end in the horizontal plane, with a diagonal run in between, is equal to **one 90° elbow**. Additionally, **3 feet** must be reduced from the total allowable horizontal run.  
**The diagonal run between the two 45° elbows must be included when calculating vertical and horizontal distances**
- **Flat 90° Elbows:** For every flat 90° elbow (a 90° elbow that stays in the horizontal plane), **6 feet** must be reduced from the total allowable horizontal run. Up to two flat elbows are allowed.
  - Example: If max allowable horizontal run is 24 feet and 1 flat elbow is added, max run is reduced to 18 feet.
- **Exceeding two 90° Elbows:** For more than two 90° elbows, the minimum total vertical rise is **6 feet**.

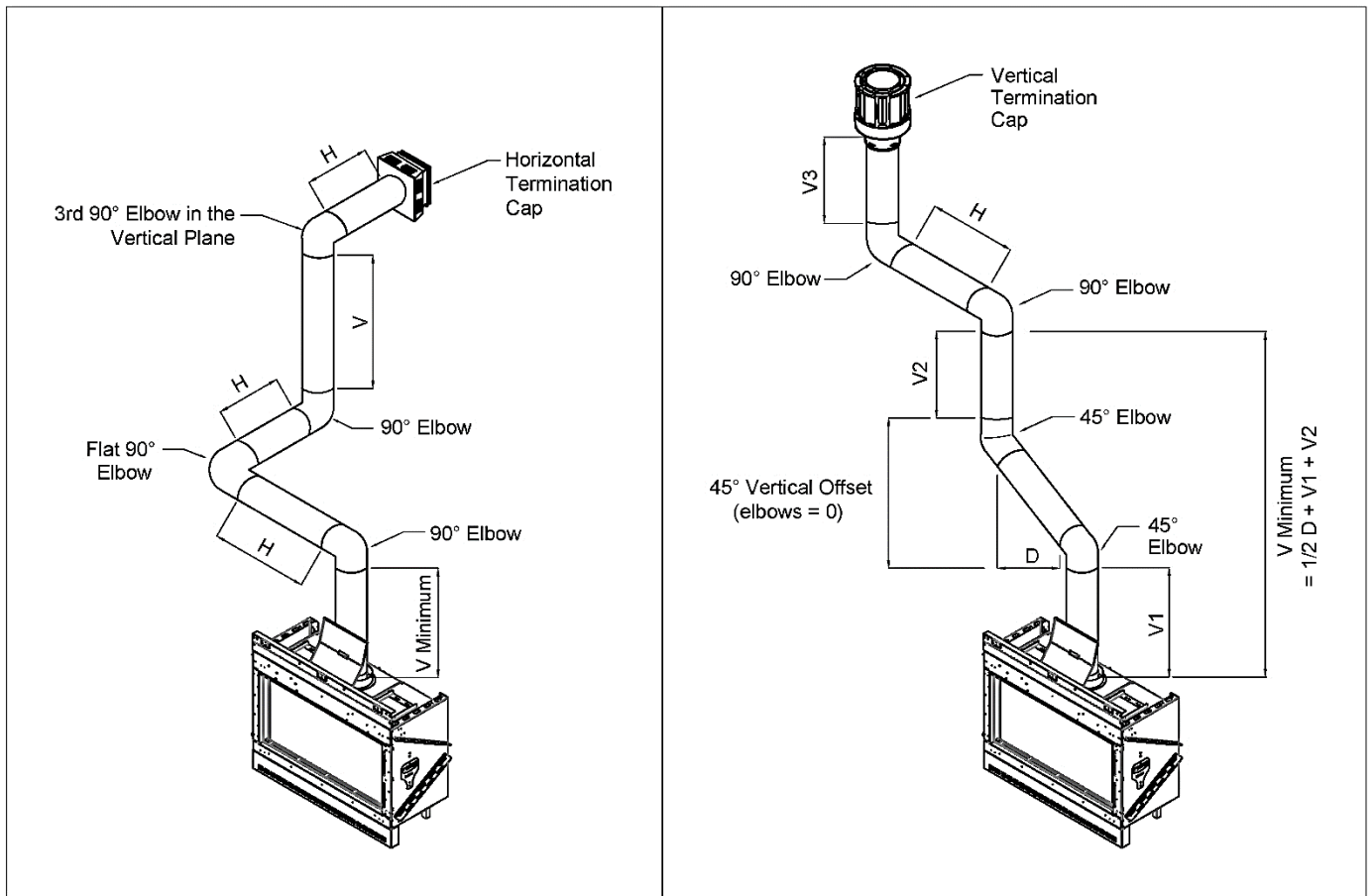
 **Exception:** If the 3rd 90° elbow in the vertical plane turns the vent direction from horizontal to vertical, the total allowable horizontal run does not require a 3-foot reduction.

### Diagonal Runs

- **Calculating Diagonal Runs (D):** Diagonal (45°) vent runs have an equal combination of vertical and horizontal aspects. To include diagonal portions of your desired vent configuration when determining overall vent limitations, divide the diagonal distance in half. Add this value to the total vertical rise and total horizontal run distances in your vent configuration. Include these values when utilizing the Vent Configuration Tables below.
  - Example: 6 feet diagonal run = 3 feet vertical rise & 3 feet horizontal run

### Other

- **V Minimum:** This is the minimum amount of vertical rise required before the first *completely* horizontal (not diagonal) run.
- Any vent configuration that does not meet these parameters requires Ortal's review and approval.



**! TERMINATION CAP NOTE:** Low Profile Termination Cap and Sconce Termination Cap can negatively impact flame appearance and are not recommended for use with the fireplace.

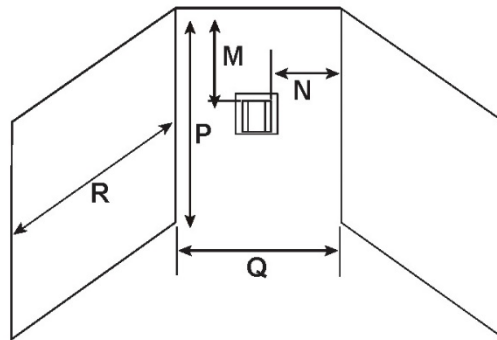
### Allowable Maximum Horizontal Runs

Traditional	
V minimum = 3 feet	
Vertical (V)	Max Horizontal (H)
3 ft	9 ft
6 ft	18 ft
9 ft	30 ft
12 ft	30 ft
15 ft	30 ft
18 ft	30 ft
21 ft	27 ft
24 ft	24 ft
27 ft	21 ft
30 ft	21 ft
33 ft	15 ft
36 ft	15 ft
39 ft	5 ft
42 ft	0 ft
45 ft	0 ft

**! CHART NOTE:** Do not include the space elbows take up when calculating your vertical and horizontal distances.



	Canada	12 inches	overhang) are permitted with the dimensions specified for vinyl or non-vinyl siding and soffits. 1. There must be 3 feet minimum between termination caps. 2. All mechanical air intakes within 10 feet of a termination cap must be a minimum of 3 feet below the termination cap. 3. All gravity air intakes within 3 feet of a termination cap must be a minimum of 1 foot below the termination cap.
I	US	3 feet	Clearance to a mechanical (powered) air supply inlet. NOTE: Termination in a covered alcove space (spaces open only on one side and with an overhang) are permitted with the dimensions specified for vinyl or non-vinyl siding and soffits. 1. There must be 3 feet minimum between termination caps. 2. All mechanical air intakes within 10 feet of a termination cap must be a minimum of 3 feet below the termination cap. 3. All gravity air intakes within 3 feet of a termination cap must be a minimum of 1 foot below the termination cap.
	Canada	6 feet	
J*	US & Canada	7 feet	Clearance above paved sidewalk or a paved driveway located on <b>public</b> property. NOTE: On private property where termination is less than 7 feet above a sidewalk, driveway, deck, porch, veranda, or balcony, use of a listed cap shield is suggested. *a vent shall not terminate directly above a sidewalk or paved driveway which is located between two single family dwellings and serves both dwellings.
K	US & Canada	6 inches	Clearance from sides of electrical service. NOTE: Location of the vent termination must not interfere with access to the electrical service.
L	US & Canada	12 inches	Clearance above electrical service. NOTE: Location of the vent termination must not interfere with access to the electrical service.



Covered Alcove: spaces open only on one side and with an overhang

Horizontal Termination Clearances Continued: Covered Alcove Application			
Location	Country	Minimum Clearance	Description
COVERED ALCOVE APPLICATION	M	US & Canada	16 inches Clearance under <b>non-vinyl</b> veranda, porch, deck, balcony, or overhang. NOTE: Termination in a covered alcove space is permitted with the dimensions specified. 1. There must be 3 feet minimum between termination caps. 2. All mechanical air intakes within 10 feet of a termination cap must be a minimum of 3 feet below the termination cap. 3. All gravity air intakes within 3 feet of a termination cap must be a minimum of 1 foot below the termination cap.
	N	US & Canada	6 inches Non-vinyl sidewalls.
			12 inches Vinyl sidewalls.
	P	US & Canada	8 feet Alcove height.
	Q	US & Canada	See table below. Alcove width (dependent on number of caps in the space).
	R	US & Canada	See table below. Alcove depth (dependent on number of caps in the space).

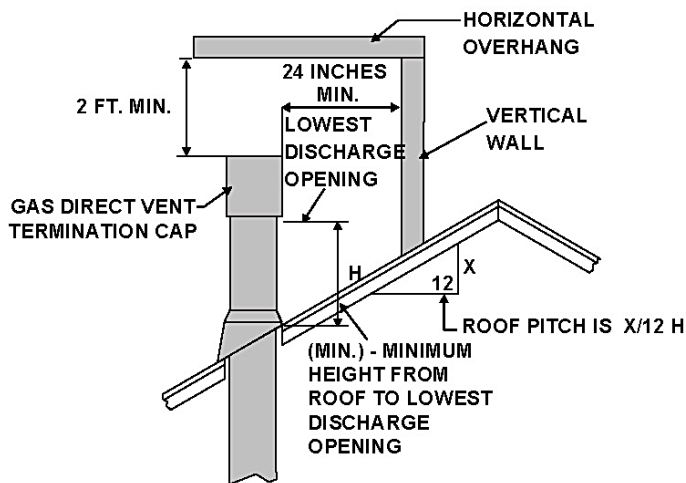
# Vent Caps	Q <sub>MINIMUM</sub>	R <sub>MAXIMUM</sub>
1 vent cap	3 feet	2 x Q <sub>ACTUAL</sub>
2 vent caps	6 feet	1 x Q <sub>ACTUAL</sub>
3 vent caps	9 feet	<sup>2</sup> / <sub>3</sub> x Q <sub>ACTUAL</sub>
4 vent caps	12 feet	<sup>1</sup> / <sub>2</sub> x Q <sub>ACTUAL</sub>
<b>Q<sub>MIN</sub> = # vent caps x 3</b>		<b>R<sub>MAX</sub> = (<sup>2</sup>/<sub># vent caps</sub>) x Q<sub>ACTUAL</sub></b>

**! HORIZONTAL TERMINATION CAP CLERANCES - NOTES:**

- If exterior walls are finished with vinyl siding, it is *required* that a vinyl protector kit be installed.
- Vent system termination is not permitted in screened porches.
- Vent system termination is permitted in porch areas with two or more sides open. You must follow all side walls, overhang and ground clearances as stated.
- Termination caps may be hot. Consider their proximity to doors or other traffic areas.

# Vertical Termination Clearance Diagram

## Minimum Height From Roof To Lowest Discharge Opening

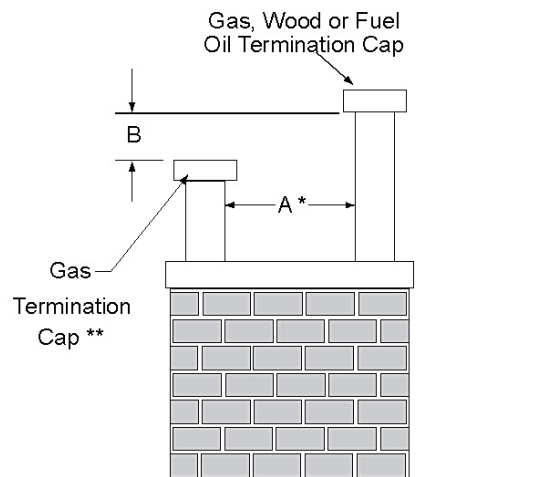


Roof Pitch	H (Min.) Ft.
Flat to 6/12.....	1.0*
Over 6/12 to 7/12.....	1.25*
Over 7/12 to 8/12.....	1.5*
Over 8/12 to 9/12.....	2.0*
Over 9/12 to 10/12.....	2.5*
Over 10/12 to 11/12.....	3.25
Over 11/12 to 12/12.....	4.0
Over 12/12 to 14/12.....	5.0
Over 14/12 to 16/12.....	6.0
Over 16/12 to 18/12.....	7.0
Over 18/12 to 20/12.....	7.5
Over 20/12 to 21/12.....	8.0

\*H min. may vary depending on regional snowfall. Refer to local codes.

## Staggered Termination Caps

A	B
6 in. (minimum) up to 24 in.	18 in. minimum
24 in. and over	0 in. minimum



\* If using decorative cap cover(s), this distance may need to be increased. Refer to the installation instructions supplied with the decorative cap cover.

\*\* In a staggered installation with both gas and wood or fuel oil terminations, the wood or fuel oil termination cap must be higher than the gas termination cap.

### Notes:

1. Maintain a minimum of 2 feet clearance between edge of vertical termination and perpendicular wall.
2. If terminating near window, keep minimum of 2 feet clearance between window and vent termination.
3. All mechanical air intakes (such as an Energex power vent) within 10 feet of a termination cap must be a minimum of 3 feet below the termination cap.
4. All gravity air intakes within 3 feet of a termination cap must be a minimum of 1 foot below the termination cap.

**NOTE:** This chart does not apply to a chimney shroud application.

## Vent Installation

Venting must be installed to meet the requirements as detailed in the following sections in conjunction with the vent system manufacturer's installation instructions. Venting must be supported by the structural surrounding and not by the fireplace. Each offset (elbow) must be strapped to reduce movement or possible disconnection.

The first section of venting must be secured to the fireplace starter collar with a minimum of 3 sheet metal screws no longer than 1/2". DO NOT use silicone to seal the sections. If sealing is required by the vent manufacturer or local code, use Mil-Pac sealant.

 **WARNING: Do not combine vent components from different vent manufacturers. Please follow the manufacturer's instructions for vent system installation.**

## Vent Maintenance

Regular inspection of the vent system by a qualified service technician is recommended annually. The following maintenance routing is recommended:

- Inspect for excessive condensation, e.g., water droplets forming in the inner lining, and subsequently dripping from the joints. This can cause corrosion in the system.
- Check for corrosion in areas exposed to the elements. Components with rust spots or holes must be immediately replaced.
- Ensure that there is no foreign material in the vents. Survey by removing the cap and shining a light down the vent.
- If possible, check all vent joints to make sure nothing has been disturbed or loosened.

## Gas

The fireplaces are approved for use with natural gas (NG) or propane (LP) only. No other fuel types are permitted.

## Gas Pressures

Fireplace Series	Burner	Gas Type	Inlet Pressure		Manifold Pressure	Heat Input (BTU/hr)		Orifice Size*
			Min	Max		Min	Max	
Traditional 90 Traditional 110	B45D	Natural Gas	7.0	11.0	5.2	9,000	55,000	800 Rear 650 Front
		Propane	11.0	13.00	10.0	16,742	34,459	220 Rear 160 Front

 **NOTE: It can take up to 20 minutes for the flames to turn yellow.**

## Routing the Gas Line

Correctly size and route the gas supply line from the supply regulator to the area where the access panel is located (or to the burner area if no access panel is available), as per the requirements outlined in the latest edition of the National Fuel Gas Code, NFPA 54 (USA) or CSA-B149.1 (Canada). Gas valve inlet accepts a 3/8" NPT fitting.

**The gas and electrical components are attached to the pilot on a flexible gas line and can be kept directly under the fireplace or to the side of the appliance. Location should have been predetermined before installation, as framing dimension will vary depending on location of this service box.**

This appliance and its individual shut off valve must be disconnected from gas supply piping system during any pressure testing of that system at test pressures in excess of 1/2 psig (3.5 kPa).

This appliance must be isolated from the gas supply piping system by closing its individual manual shut off valve during any pressure testing of the gas supply piping system at test pressures equal to or less than 1/2 psig (3.5 kPa). A gas shut-off valve and a 1/2" gas flex connector are provided with every fireplace. The location of the gas shut-off valve is dependent on local codes and requirements. Check with your authority having jurisdiction for more information.

 **WARNING: The main gas valve must be installed to allow complete disconnection of the fireplace from the gas supply piping system for servicing purposes.**

## Gas Conversion

Gas conversion (NG to LP or LP to NG) can be done in the field. Gas conversion must only be performed by a technician who has specific authorization by Ortal to change these components. The conversion kit must be supplied by Ortal. Using parts from other manufacturers or having an unauthorized party perform the conversion will void your fireplace's warranty. Conversion instructions are supplied with the conversion kit.


## High Altitude Requirements

For elevations above 2,000 feet, the fireplace shall be re-rated 4% for each 1,000 feet above sea level.

For Canada: Input ratings are certified without a reduction of input rate for elevations up to 4500 feet above sea level. Please consult provincial and/ or local authorities having jurisdiction for installations at elevations above 4500 feet.

## Electrical

This appliance must be electrically wired and grounded in accordance with local codes or, in the absence of local codes, with National Electric Code ANSI/NFPA 710-latest edition or Canadian Electric Code CSA C22.1.


 **WARNING: Disconnect the power supply before servicing any electrical components.**

## Electrical Requirements

A duplex receptacle with one outlet (not included) must be installed in the location where the gas and electrical components will be placed, which must be to the side or back of the fireplace depending on the location of the service box. Electrical work should be performed by a qualified licensed electrician, per local code for an outdoor product. GCFI outlet might be necessary.

Outlet Type	Power Requirements
1 Duplex Receptacle (1 outlet)	120V, 15 amp, 60Hz

The outlet should be a NEMA (National Electrical Manufacturers Association) Class 3 rated receptacle at minimum or weatherproof rated. All outdoor rated boxes will carry a NEMA Class 3 rating.


 **NOTE: Any device that functions using the same radio frequency as the handset will be affected when remote-controlled handset is in use.**

## Pairing the Remote and Receiver

To set up the remote-control device to operate the fireplace, follow the following guidelines to pair the remote and receiver unit on the same radio frequency.

1. Press and hold the receiver's reset button until you hear two beeps. The first beep is short, and the second beep is long. After the second beep, release the reset button.



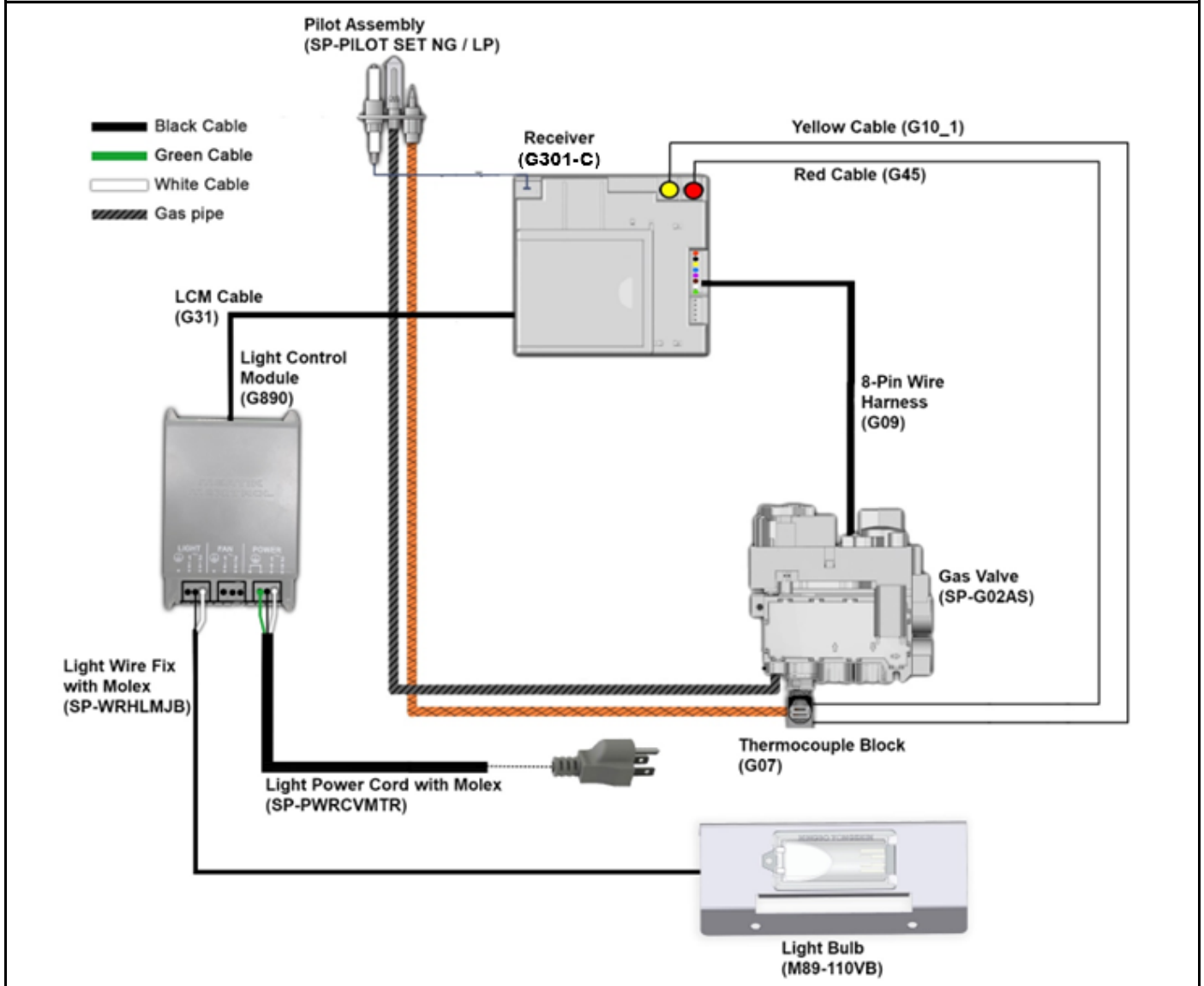
2. Within the subsequent 20 seconds, press the following button depending on the mode of operation:
  - **10-Button Handset:** Press the  button. "CONN" and a running number from 1 to 8 will appear on the handset display confirming that the synchronization and data exchange are in process.
3. You will hear two short beeps confirming the connection.

### NOTES:

- If you hear one long beep, this indicates the connection has failed or the wiring is incorrect.
- The connection between remote and receiver only needs to be made once and is not required after changing the batteries in the remote.

## → Wiring Diagram

### Wiring Diagram: Screen Fireplace with Interior Lighting



## Replacement Parts

Parts are available through authorized Ortal Dealers.

Description	Part Number
Receiver	G301-C
Remote	G300
Pilot Assembly	NG: SP-PILOT SET NG LP: SP-PILOT SET LP
Yellow Cable	G10_1
Red Cable	G45
8-Pin Wire Harness	G09
Gas Valve	SP-G02AS
Thermocouple Block	G07
Light Control Module	G890
Cable for LCM	G31
Light Fix Wire with Molex	SP-WRHLMJJB
Power Cord Fix with Molex	SP-PWRCVM
Wall Switch	G83 (optional)


## Interior Design Media

Ortal offers interior media options such as stones, glass, logs, and embers that can be provided with the fireplace. This section provides guidelines for safe placement of media. It is crucial that the placement guidelines outlined below are followed as a large portion of flame quality issues are caused by improper media setup.

 **WARNING: Only media provided by Ortal is permitted for use in the fireplace.**

 **WARNINGS: INSTALLING AND HANDLING MEDIA**

- **DO NOT** install the interior design media until fireplace installation is complete, the gas line is connected and tested for leaks, and initial burner operation has been inspected and approved.
- Media materials get very hot and will remain hot more than an hour after gas supply is turned off. Handle media only when materials are cool.
- If media is not installed according to the installation instructions, flame impingement and improper combustion may occur and result in soot and/or excessive production of carbon monoxide (CO). Carbon monoxide is a toxic, colorless, and odorless gas.

 **WARNING: Failure to position the media in accordance with the instructions and diagrams below or failure to use the parts specifically approved with this appliance may result in property damage or personal injury.**

### Media Placement Guidelines for Grate Burner

#### HD Log Placement

The High Definition (HD) Logs media set is designed and recommended for use in the Ortal Traditional series fireplace. They may be used in other fireplace models but is not recommended for aesthetic reasons. **The HD Logs may not be used in any Wilderness series fireplaces.**

HD Logs set and setup are the same for both NG and LP burners.

HD Logs set SKU: **MYIHDCLS**

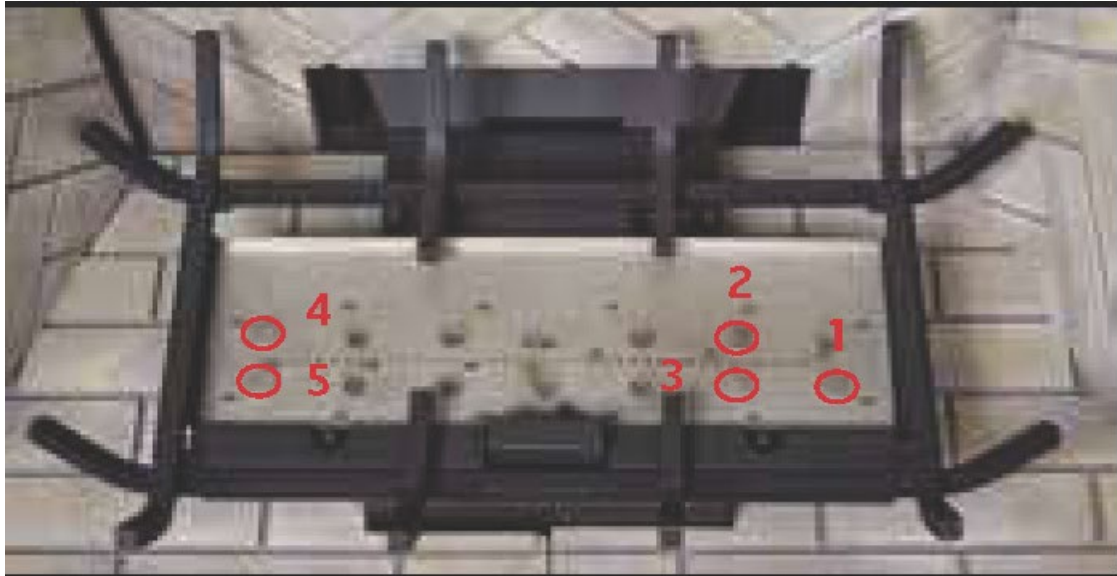
The following items are supplied in the HD Logs media set:



Items supplied in HD Logs media set

## **Burner Coins**

Place burner coins on each of the following four burner ports.



Arrange HD Logs as shown in the following steps.

**⚠ WARNING:** For safety and optimal fireplace function, keep 1 inch around the pilot (behind pilot hood) completely clear of any media or debris.

### **STEP 1**



**STEP 2**



**STEP 3**



**STEP 4**



**STEP 5**



**STEP 6**



**STEP 7**

Turn on the fireplace to confirm proper flame height and operation.



## Birch Log Placement

The Birch Logs media set is designed and recommended for use in the Ortol Traditional series fireplace. They may be used in other fireplace models but is not recommended for aesthetic reasons. **The Birch Logs may not be used in any Wilderness series fireplaces.**

Birch Logs set and setup are the same for both NG and LP burners.

Birch Logs set SKU: **MYIBIRCH**

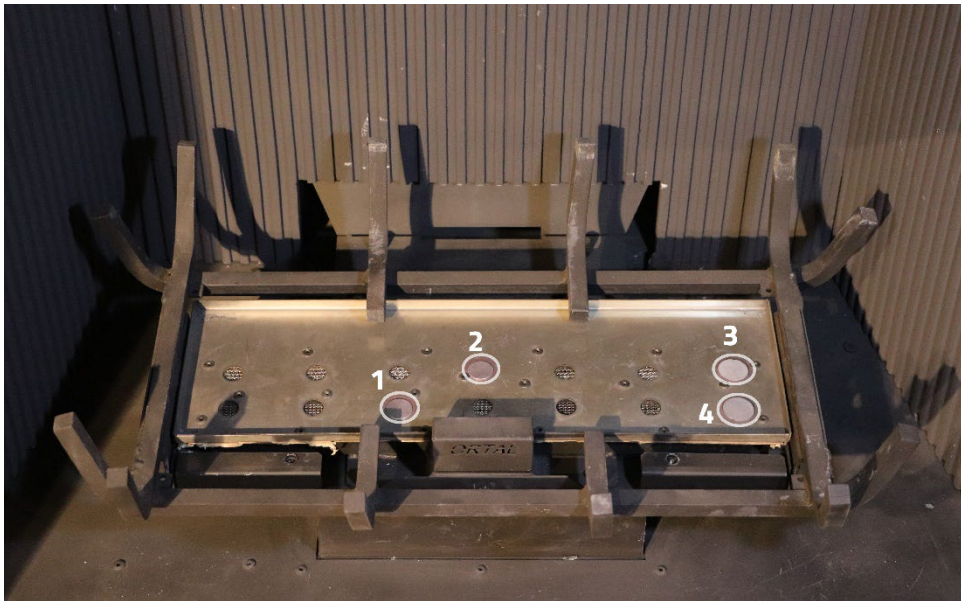
The following items are supplied in the Birch Logs media set:



Items supplied in Birch Logs media set

## **Burner Coins**

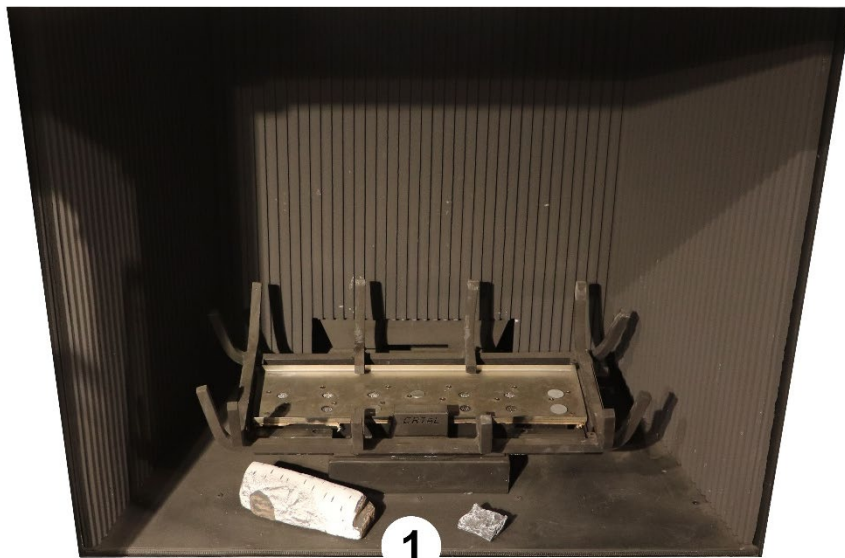
Place burner coins on each of the following four burner ports.



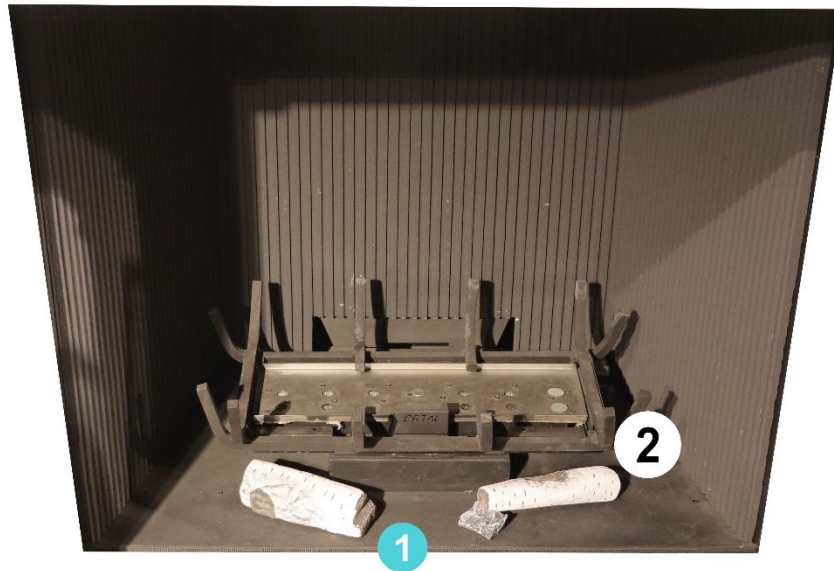
**Arrange Birch logs as shown in the following steps.**

**⚠ WARNING:** For safety and optimal fireplace function, keep 1 inch around the pilot (behind pilot hood) completely clear of any media or debris.

### **STEP 1**

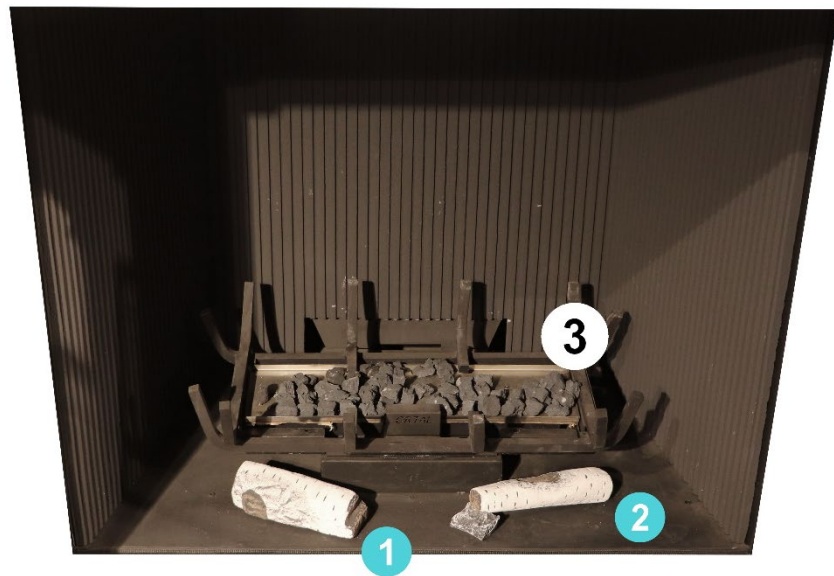


## STEP 2

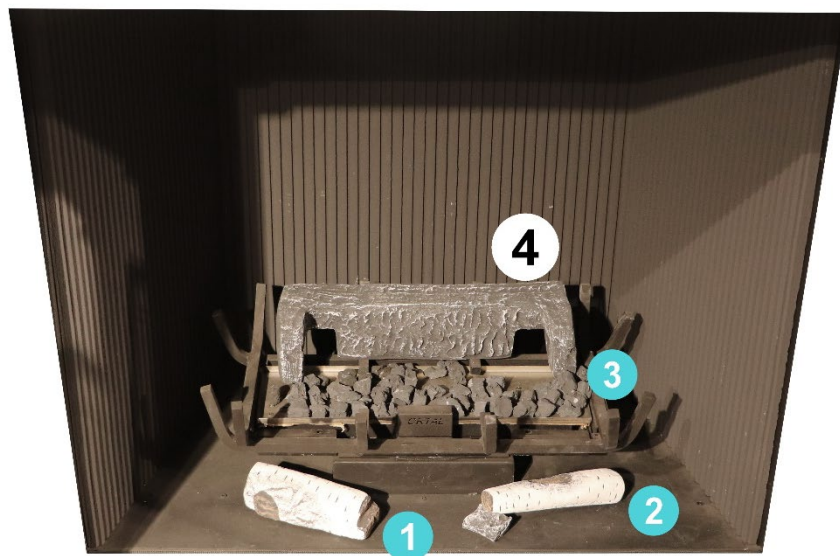


## STEP 3

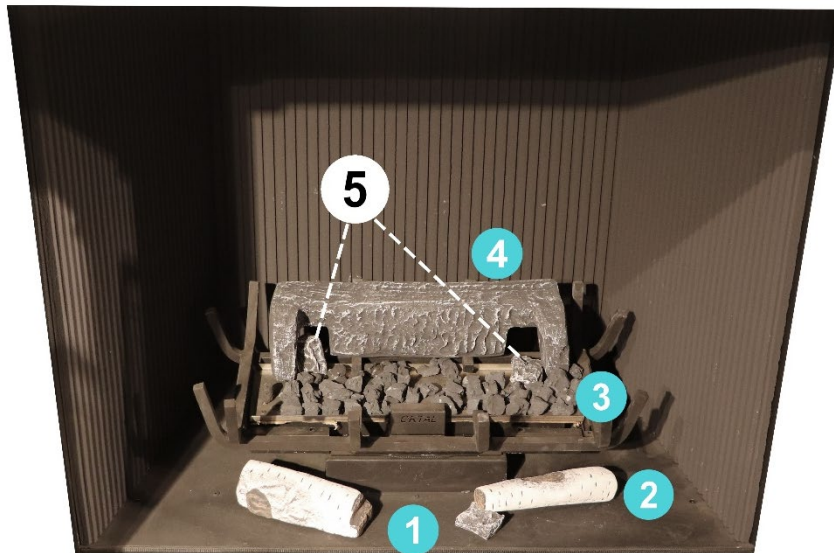
Add charcoals to burner. For safety and optimal fireplace function, keep 1 inch around the pilot (behind pilot hood) completely clear of any media or debris.



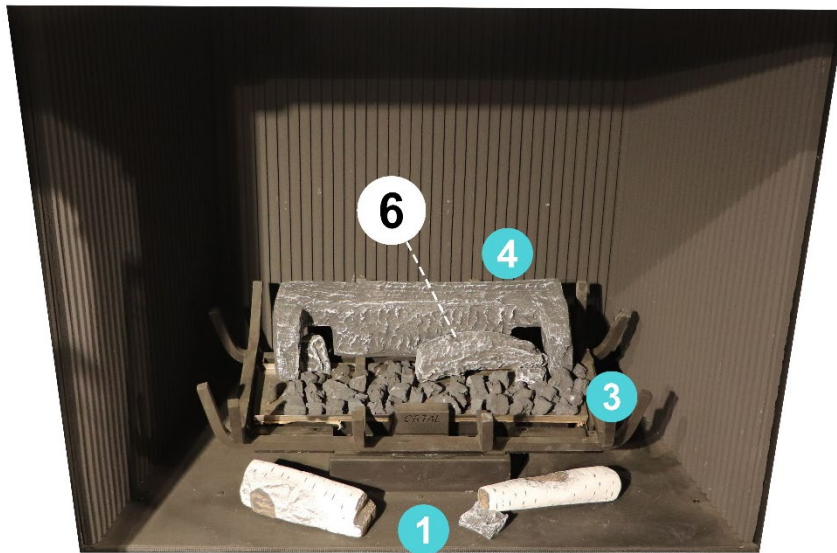
## STEP 4



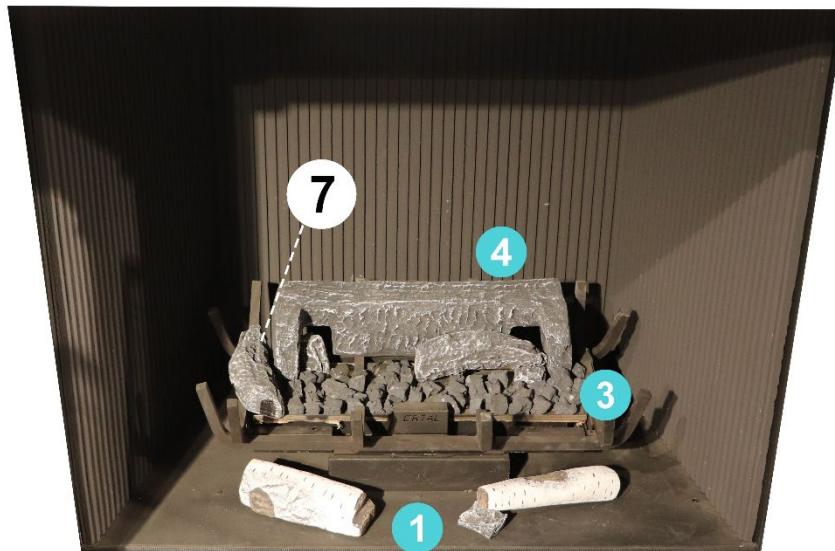
**STEP 5**



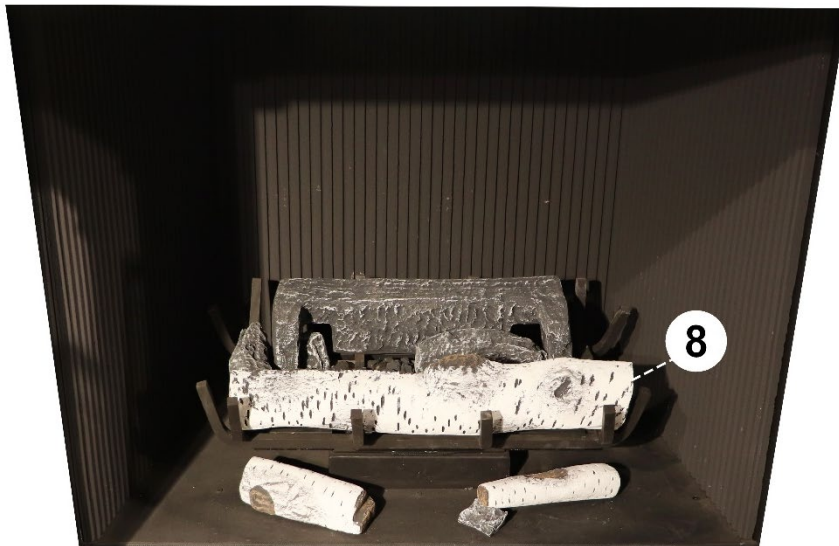
**STEP 6**



**STEP 7**



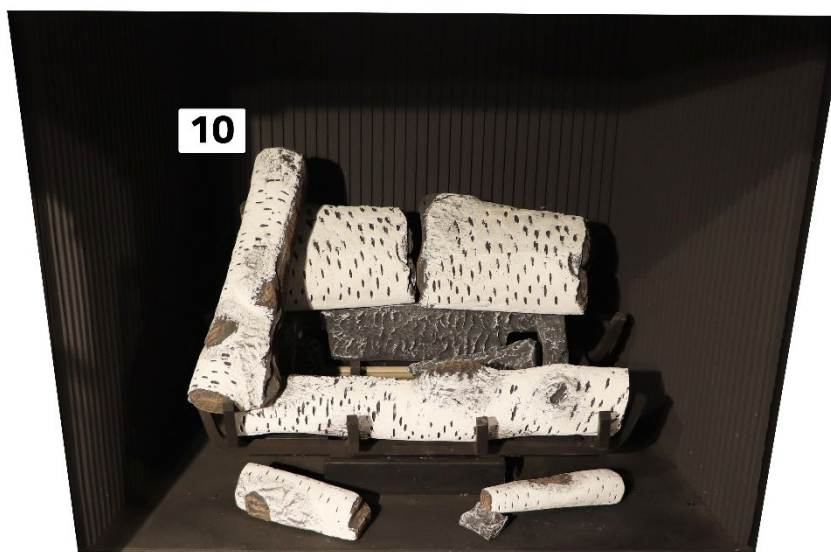
**STEP 8**



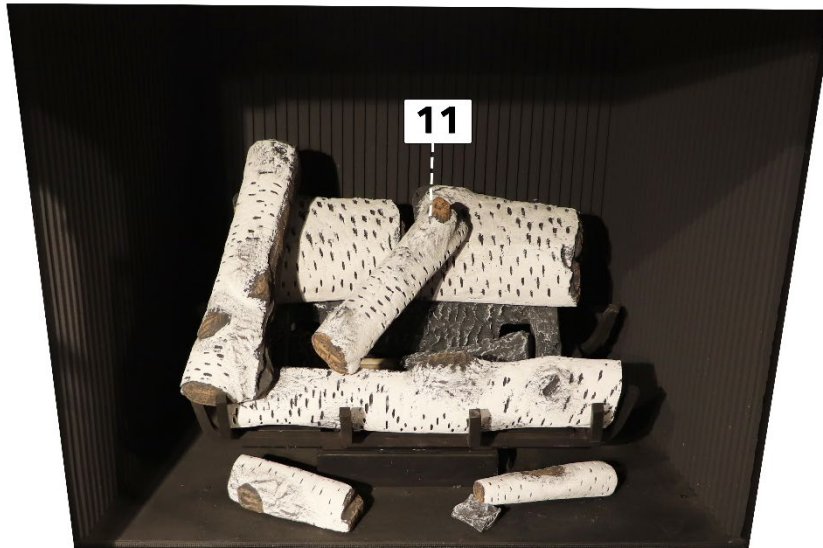
**STEP 9**



**STEP 10**



## STEP 11



## STEP 12



### Media Placement Guidelines for Flat Burner

When installing media, adhere to the following general guidelines:

- Keep the media back from the pilot hood so at least one burner port is open. Crowding around the pilot hood may hinder lighting and could result in potential damage to the fireplace and surrounding area or personal injury.



- Do not use the hood to support media. This could cause overheating of the thermocouple.
- Keep the media away from the edges and the glass.
- Do not overfill the media tray. Keep 20% of the tray open to allow for air flow.

## Glass Media Placement

- When placing glass media, put only a single layer, and do not pack down. Once the media is placed, go back and move the glass back slightly to open the ports:



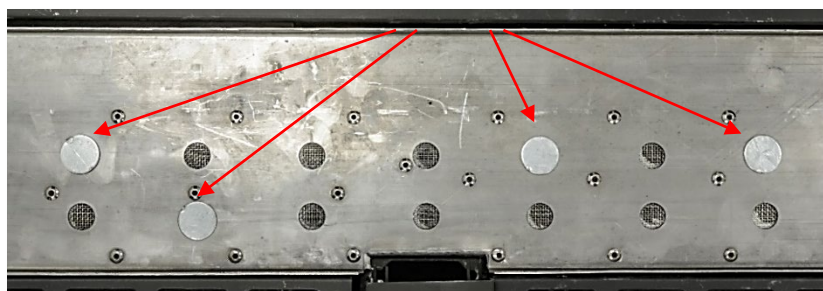
## Stone Media Placement

- When placing stone media, use the space left by the round shape to leave the ports open.



## Log Media Placement

- Place the logs carefully to block as few ports as possible. If a log is placed over a port, block the port with a "coin" to keep the flame from creating soot on the media or to manipulate the look of the flame.



- Block as few ports as possible, and no more than 30% of total ports. Do **NOT** block ports that are next to one another.
- When combining both logs and glass, it is recommended to place the logs (and coins if needed) first, and then to spread the glass according to the instructions given above.



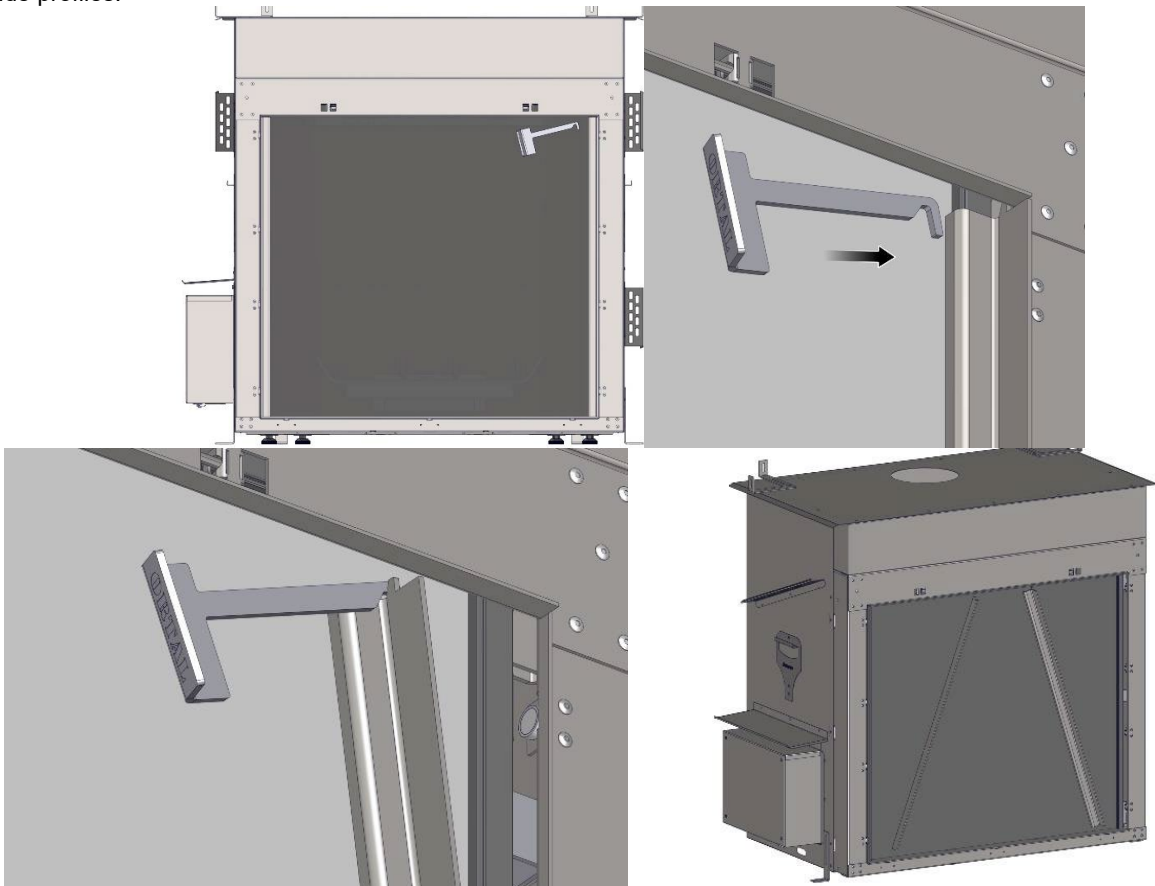
## Servicing the Fireplace

### Screen Removal

To remove the protective screen, follow the steps below:

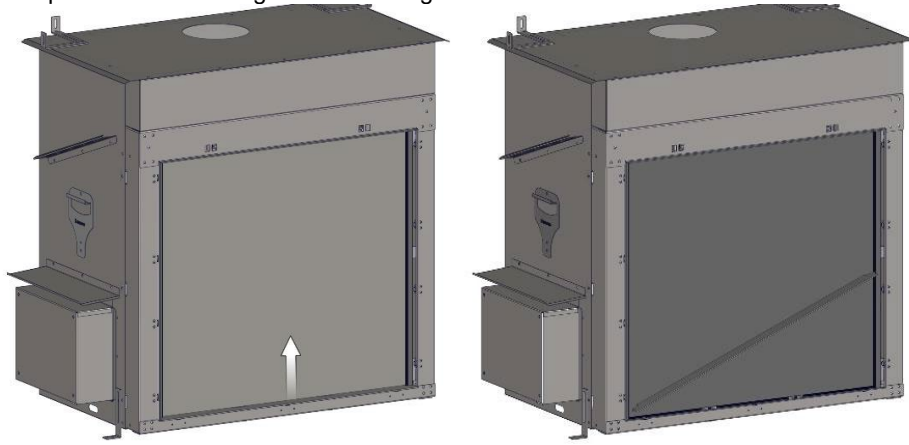
#### STEP 1:

Using the vertical profile remover, which ships in the Brown Installation box, hook the top of the profile with the tool and pull to remove both side profiles.



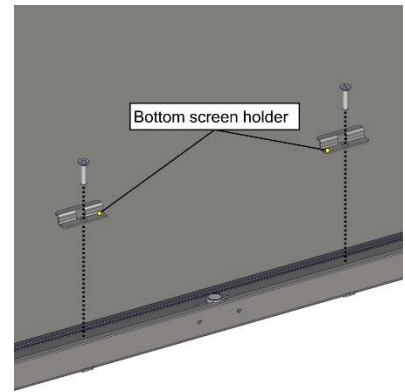
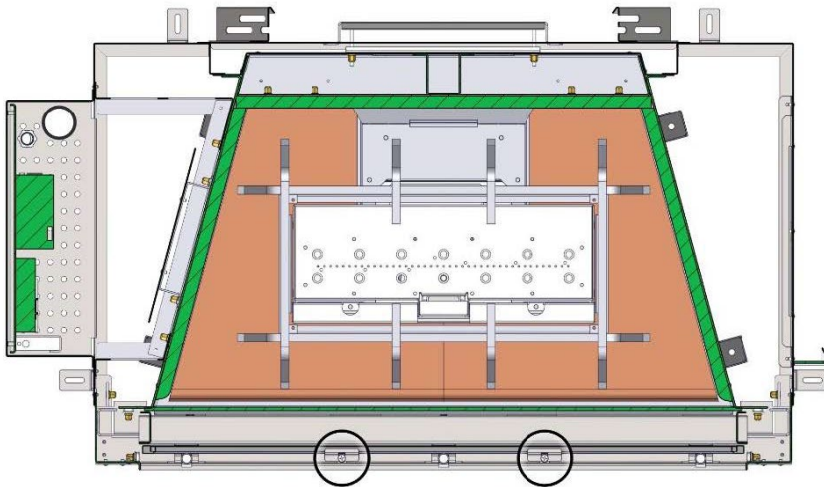
**STEP 2:**

Pull the horizontal profile up from the lower edge of the viewing area:



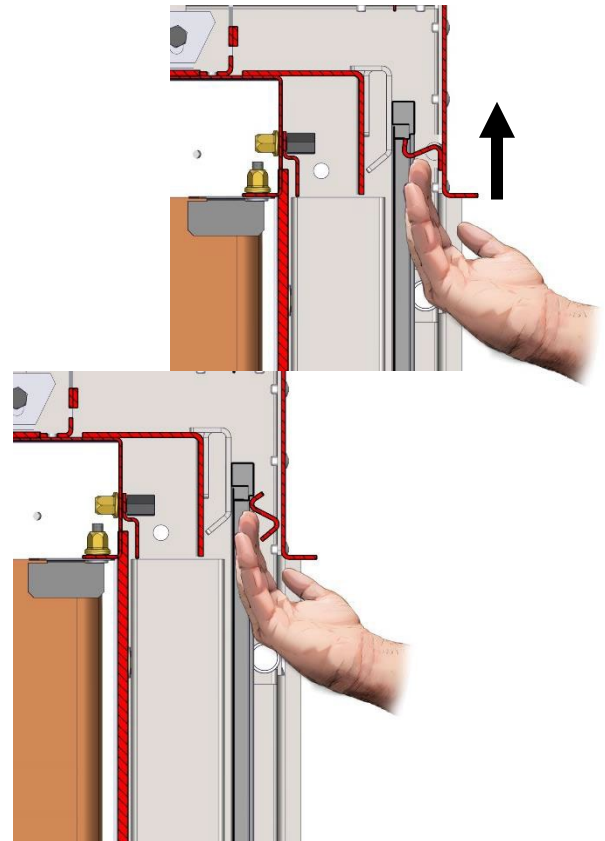
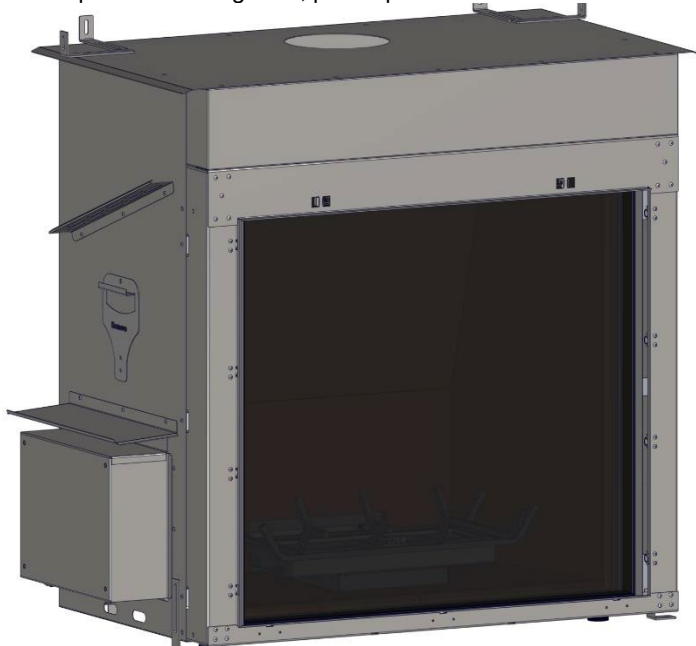
**STEP 3:**

Remove the two M6 screws using a PH3 screwdriver as shown below:



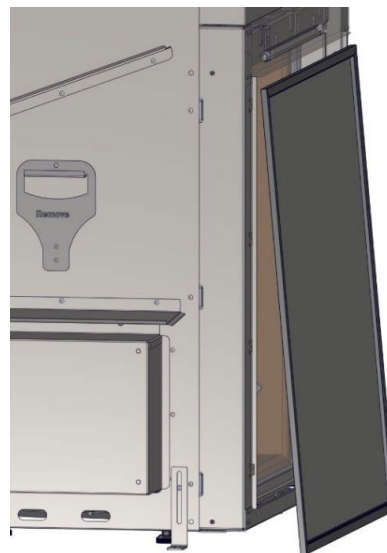
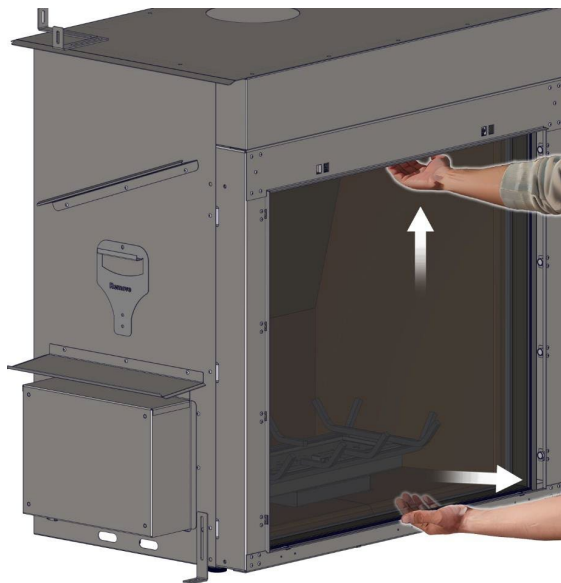
**STEP 4:**

At the top of the viewing area, push up the screen as shown:



## STEP 5:

Rotate the bottom of the screen out which will allow the top to drop out and the screen to be removed:

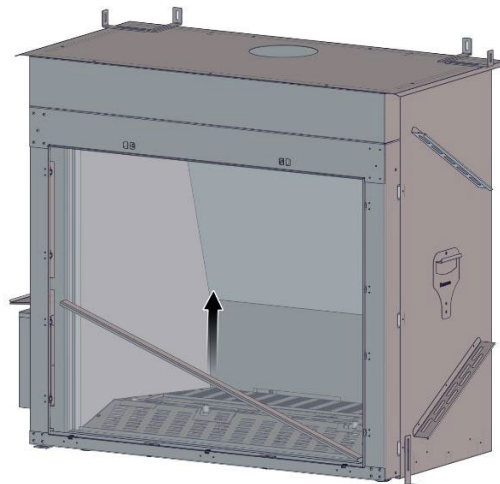
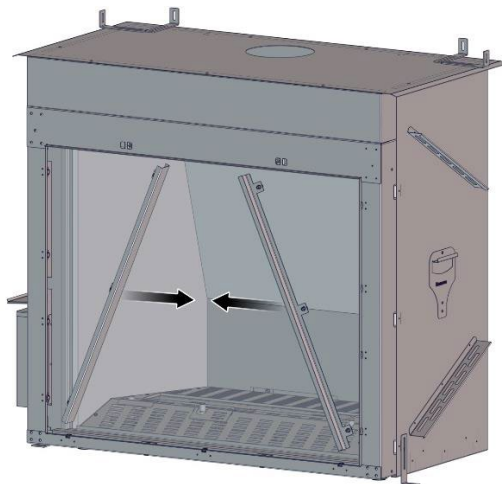


## Glass Removal

To remove the glass, follow the steps below. **Note:** The external side and horizontal trim pieces & mesh have already been removed prior to step 1.

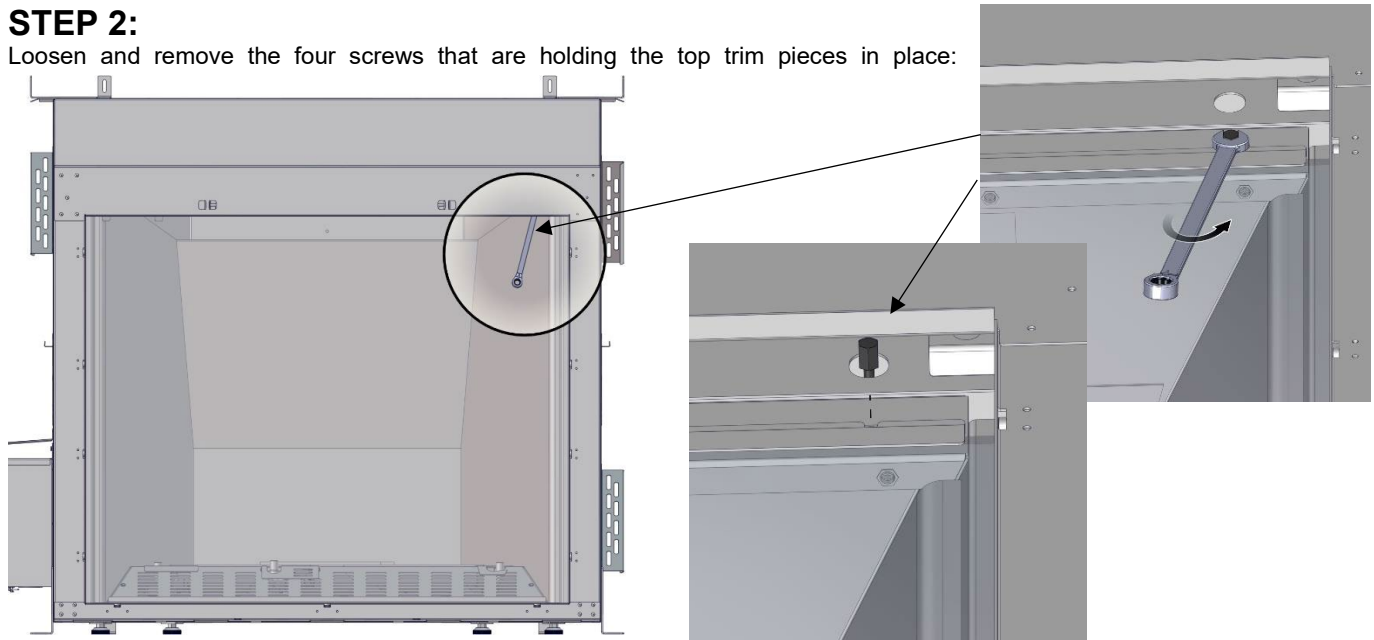
### STEP 1:

Pull the inner vertical and horizontal trim pieces off the fireplace as shown below:



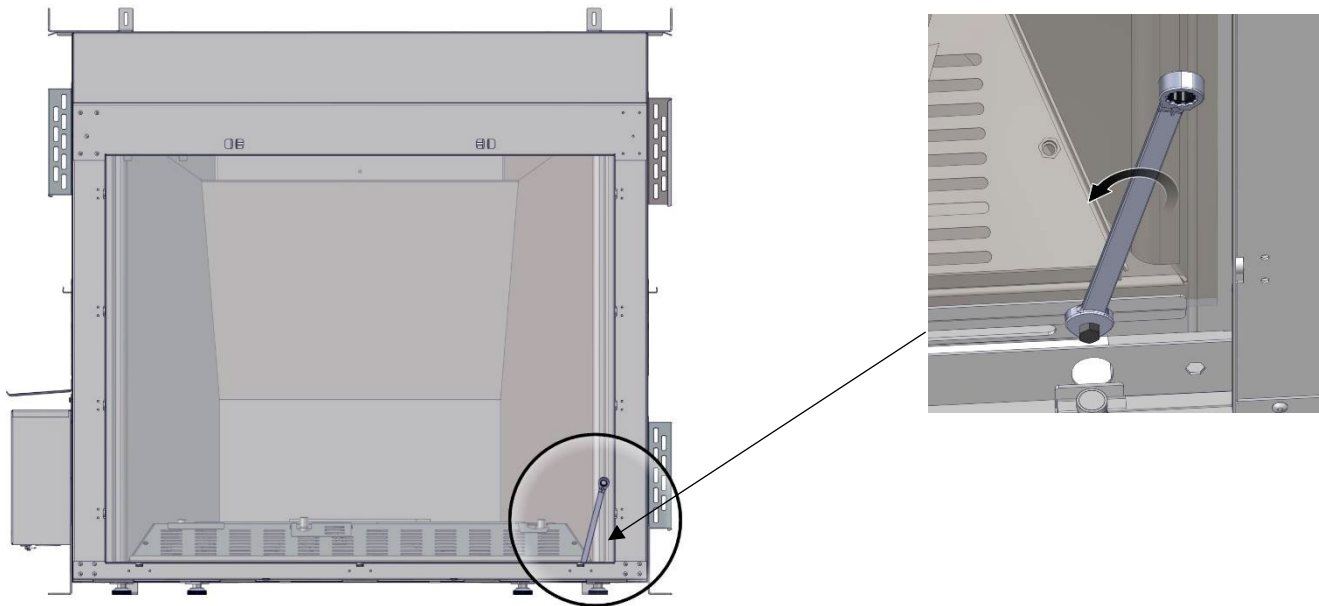
**STEP 2:**

Loosen and remove the four screws that are holding the top trim pieces in place:



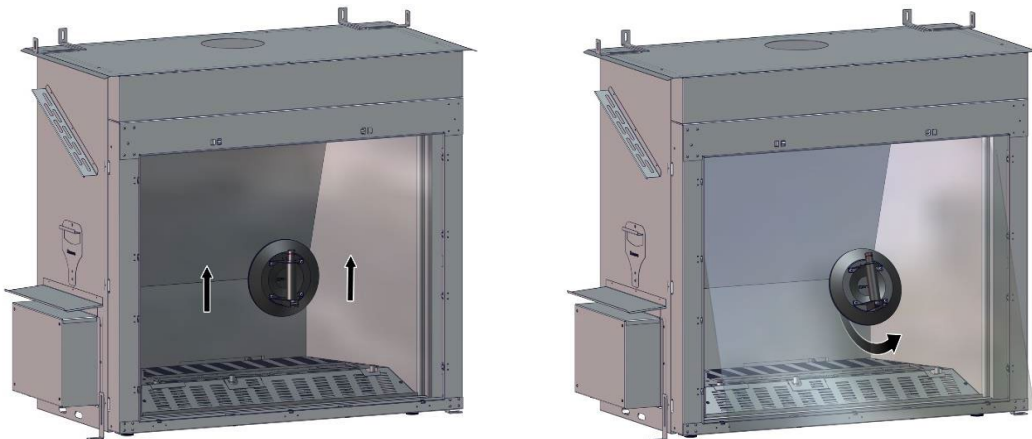
**STEP 3:**

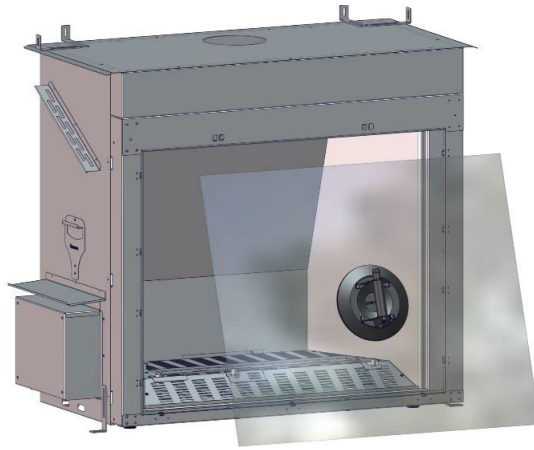
Loosen the screws that are holding the bottom trim piece in place and slide the trim piece to remove:



**STEP 4:**

Attach a suction cup to the middle of the glass, lift up and swing the bottom out to remove the glass:





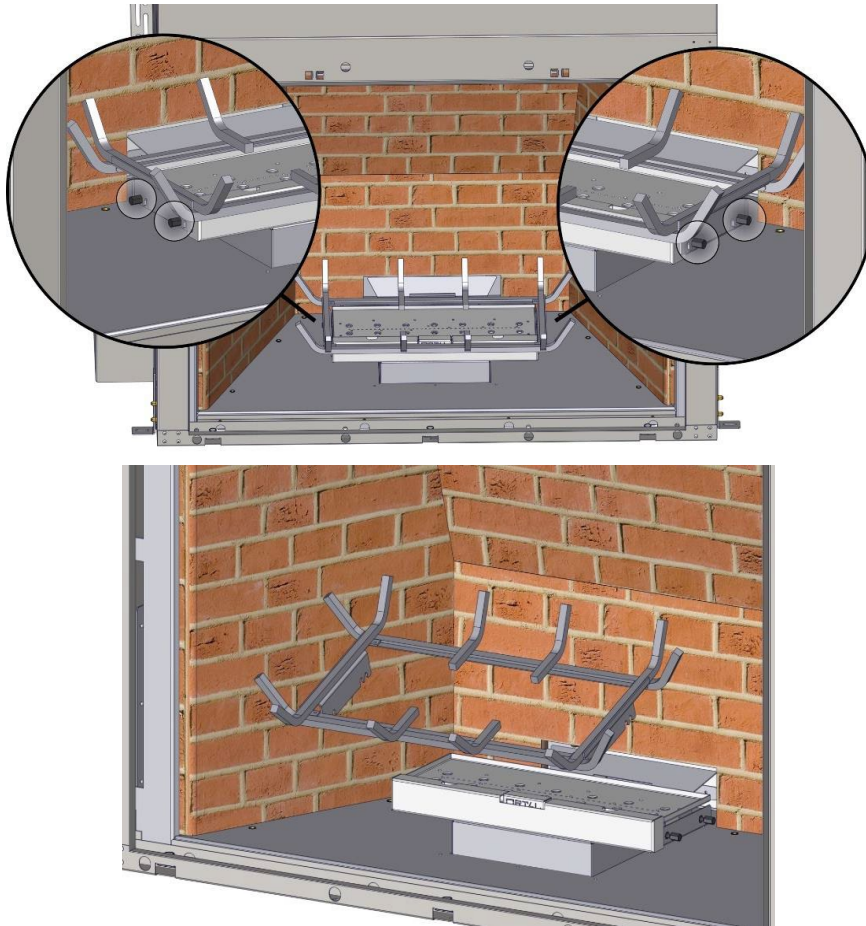
## Service Box

Service box is accessible through two different areas; internally or externally (only if an access panel was installed).

### Service Box Internally

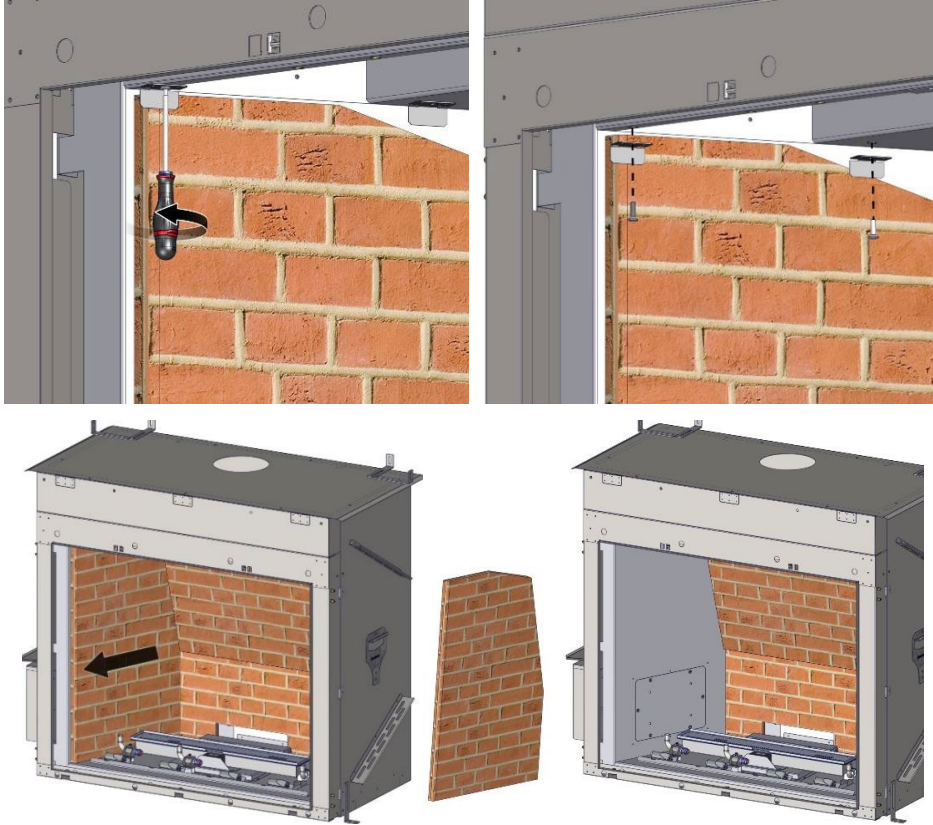
#### STEP 1:

Remove the log grate by loosening the four bolts that attach it to the fireplace with a 10mm wrench:



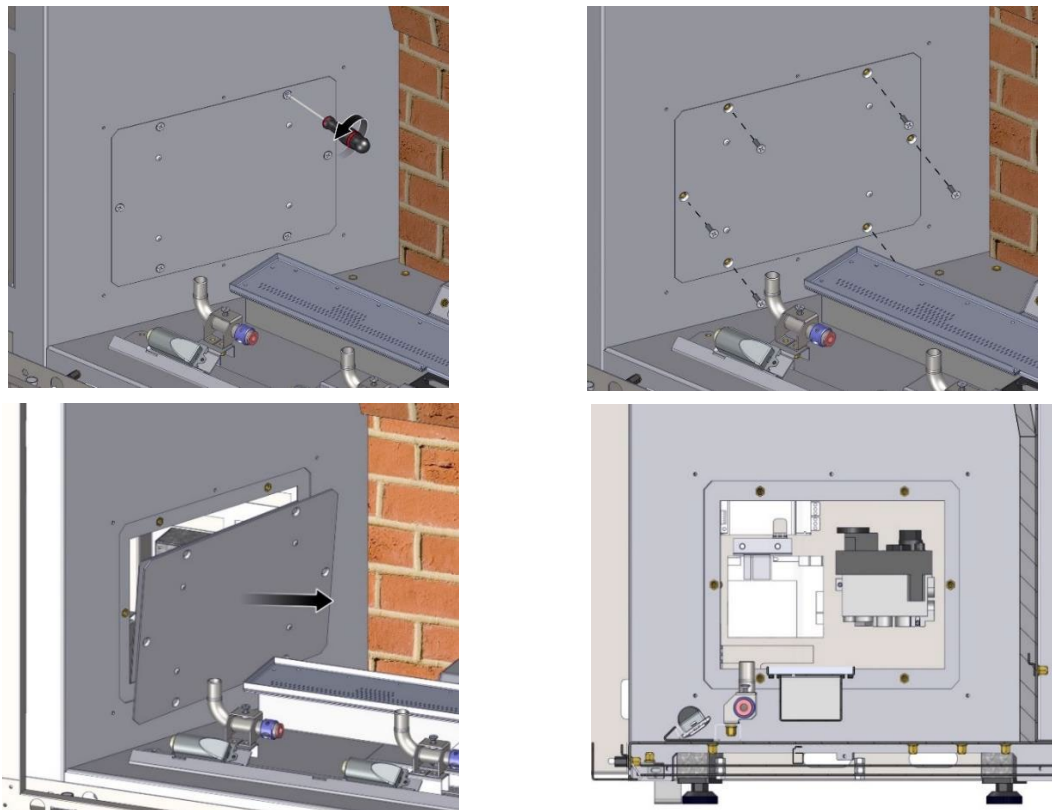
## STEP 2:

Remove the left side refractory panel using a PH3 screwdriver:



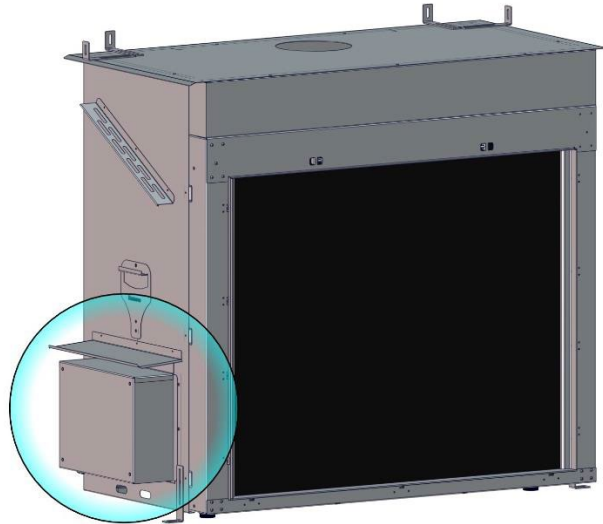
## STEP 3:

Remove the component cover by removing the six screws using a PH3 screwdriver:



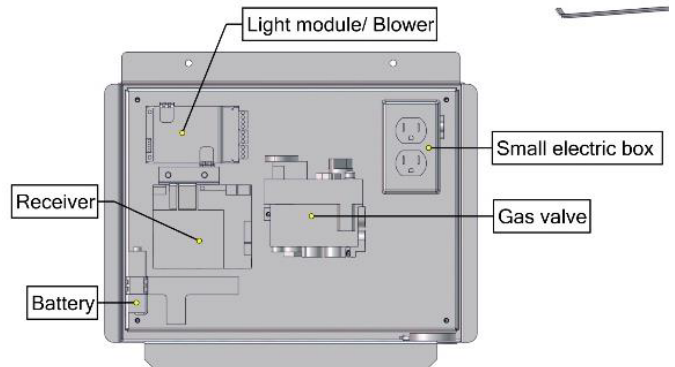
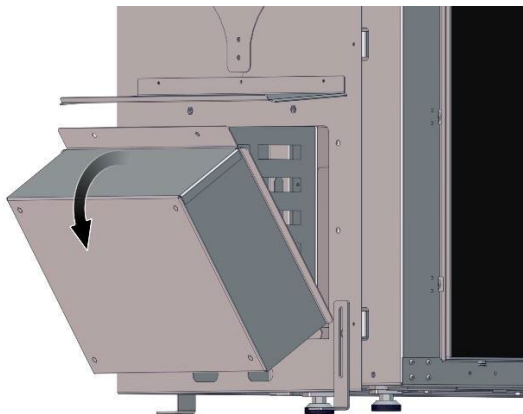
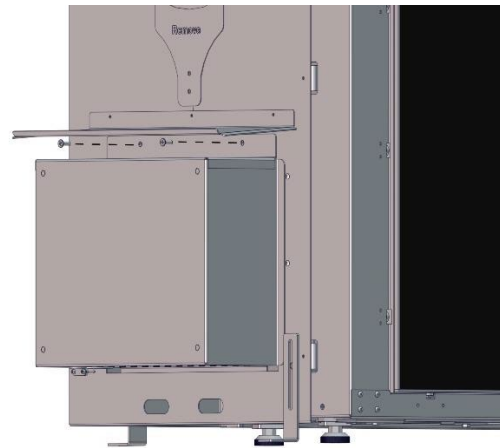
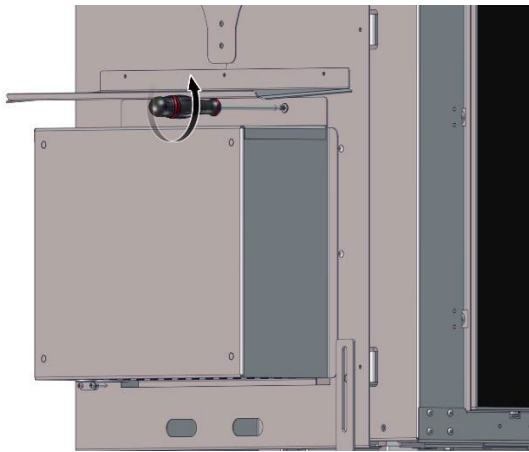
## Service Box Externally

Location of service box is shown below, but this should have already been taken in consideration for the access panel:



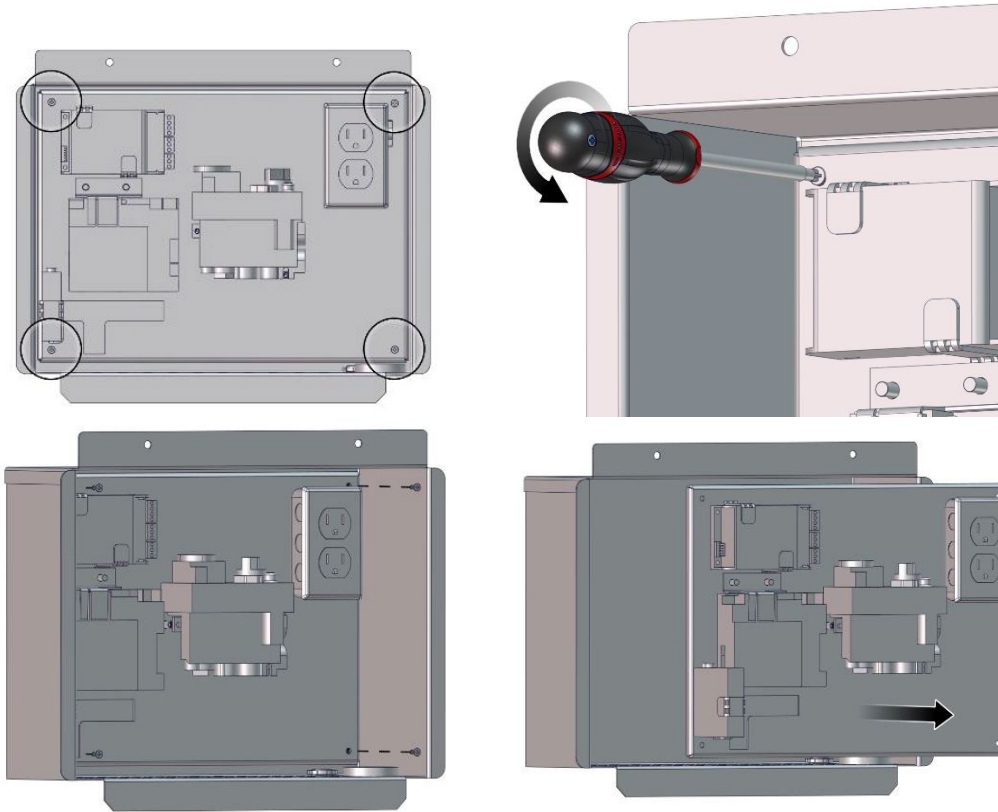
### STEP 1:

Using a PH3 screwdriver, remove the two M6 screws at the top of the service box:



## STEP 2:

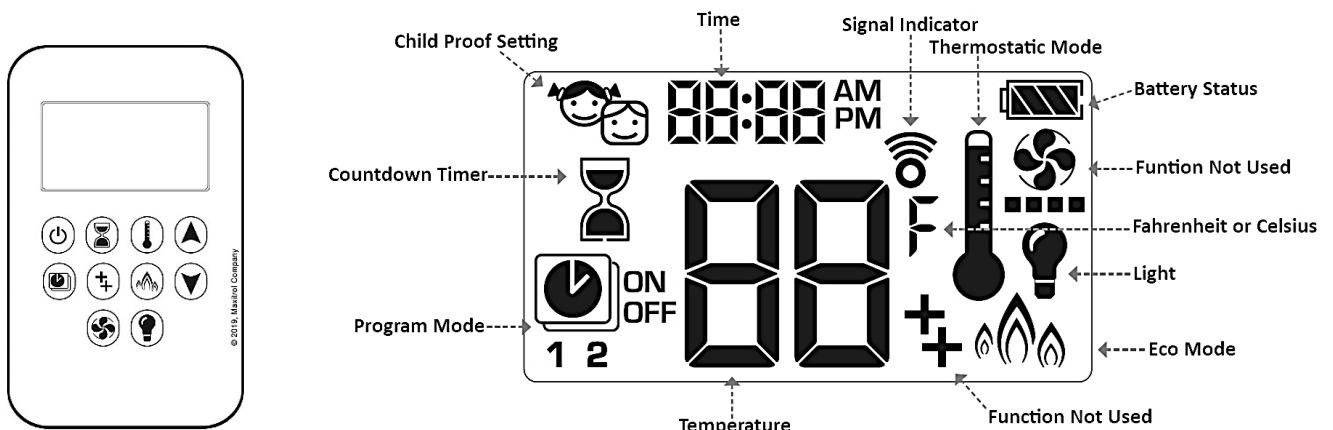
Use a PH1 screwdriver to remove the four M4 screws attaching the tray to the side of the unit:



## Operation

- WARNING** – Read these instructions carefully before lighting the fireplace.
- 10-Button Remote Control Handset (standard option, always included with the fireplace)
  - Wall Switch (optional accessory)
- IMPORTANT:** The 10-Button remote control handset is always included with the fireplace regardless of which operation option is chosen. **DO NOT DISCARD.** The 10-Button remote must be always kept within 26 feet of the fireplace and in a dry safe place from outdoor elements.
- NOTES:**
- The wiring of valve and receiver must be completed before starting ignition. Failure to do so could damage the electronics.
  - Fireplaces with interior lighting feature must operate using 120v and therefore will not operate during a power failure.
  - Batteries must be kept within their recommended temperature limits (32°F to 131°F).

### 10-Button Remote Control Handset



© 2019, Maxitrol Company

Control Option	Radio Frequency	Power Supply	
10-Button Handset	918.0 MHz (U.S. & Canada)	2 x 1.5V AAA batteries (quality alkaline recommended)	Replace batteries after 2 years or when low battery indicator appears on handset display
<b>IMPORTANT: For safety/communication purposes, 10-button handset must be located within 26 feet of the receiver.</b>			

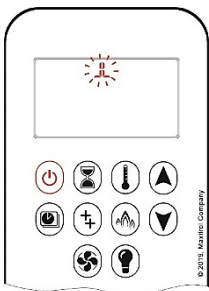
**NOTE:** Any device that functions using the same radio frequency as the handset will be affected when handset is in use.


## Operating Instructions

Instructions for operating the 10-Button Handset are shown below. For more in-depth instructions, please refer to the “Homeowner’s Fireplace Operation Manual” or “Remote Operation Instructions”.

**NOTE:** Some options on the remote may not be available for all fireplaces.

### Turning the Fireplace On




1. Press the  button until you hear continuous beeping, and a blinking series of lines confirms the start sequence has begun; release buttons.
2. Main gas flows once pilot ignition is confirmed.
3. The system automatically goes into Manual Mode after main burner ignition.

**NOTE:** When pilot ignition is confirmed, motor turns automatically to maximum flame height.

**NOTE:** If the Timer function has been set and the fireplace is manually turned on, the Timer function will need to be reset.

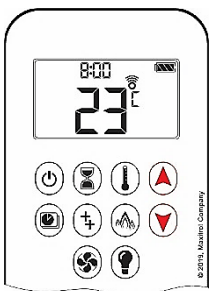
### Turning the Fireplace Off





1. Press the  button to turn the fireplace off.

**NOTE:** The fireplace may be turned on again after the OFF icon stops flashing.

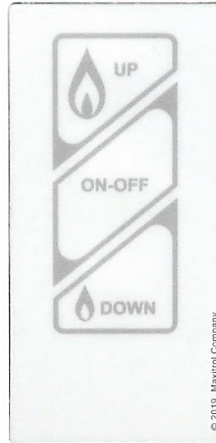
### Flame Height Adjustment



1. To increase flame height, press and hold the  button to desired flame height.
2. To decrease flame height, or to set fireplace to pilot flame only, press and hold the  button.

## Wall Switch

In order to utilize a wall switch, a weatherproof encloser must be incorporated into the chase to protect the switch from water damage.



Control Option	Radio Frequency	Power Supply
Wall Switch	N/A	N/A

**IMPORTANT:** For safety/communication purposes, the 10-button handset must be located within 26 feet of the receiver.

## Operating Instructions

### Turning the Fireplace On/Off



ON/OFF

**ON:** Press and hold the **ON-OFF** button until two short beeps confirms the start sequence has begun; release button.


**OFF:** Press the **ON-OFF** button.


### Flame Height Adjustment




Flame Up

Flame Down

**INCREASE:** To increase flame height, press and hold  (up flame) button.

**DECREASE:** To decrease flame height, press and hold  (down flame) button.

Holding the  (down flame) button long enough sets the fireplace to pilot flame (Standby Mode).

# Fireplace Maintenance

## General Maintenance

All servicing, maintenance, interior cleaning and handling of the fireplace, parts and glass must be performed by an authorized Ortal dealer service technician only.

### Servicing

- Turn off the gas and electricity **BEFORE** servicing the fireplace.
- It is recommended that a routine inspection is performed at the beginning of each heating season.
- When removing glass from multisided fireplaces, only one side of glass can be removed at a time. Glass must be re-installed before removing glass from a different side.

### Metallic Noise

- Noise is caused by metal expanding and contracting as it heats up and cools down, like noise produced from a furnace. The noise does not affect the operation or longevity of the fireplace.
- These minor expansion, contractions or movement of parts causing noise are normal. Complaints related to these noises are not covered by warranty.

### Burner and Vent Inspections

- Periodic checks should be made of the burner for correct position and condition. Visually check the flame of the burner, making sure that the flames are steady.
- The vent system must be inspected before use. Annual inspection must be scheduled to ensure the flow of combustion and ventilation air.

### Submerged Parts

- Do not use the fireplace if any part has been under water, or if you suspect that it may have been under water. The Ortal dealer service technician must inspect and, if necessary, replace any parts of the control system and any gas controls which have been under water.

### Handling the Glass

Inner glass panel is 5mm ceramic glass. Ceramic glass must be provided by Ortal.

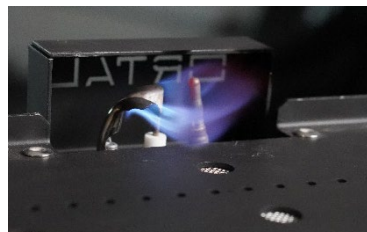
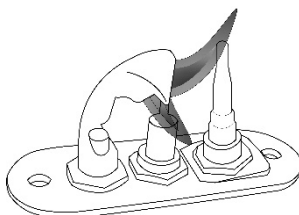
- When removing glass from multisided fireplaces, only one side of glass can be removed at a time. Glass must be re-installed before removing glass from a different side.
- **NEVER** operate the fireplace without the glass properly secured in place.
- Only an Ortal certified installer is authorized to remove the glass. Glass must be removed using an 8-inch glass-handling suction cup. Lower the glass to rest in a safe place to prevent damage to the glass edges.

### Cleaning the Fireplace

- Only an Ortal dealer service technician can open the fireplace to clean interior surfaces.
- **ALWAYS** turn off the gas valve before cleaning.
- Do **NOT** clean when hot. Make sure fireplace has had time to cool prior to cleaning any surface or component, interior or exterior.
- Keep the fireplace clean by brushing and/or vacuuming at least once a year. This can only be performed by an Ortal dealer service technician.
- When removing glass from multisided fireplaces, only one side of glass can be removed at a time. Glass must be re-installed before removing glass from a different side.
- Clean the glass when it starts to look cloudy. Use a damp cloth for cleaning the fireplace and the door.
- Verify correct operation after servicing.

### Maintenance Frequency and Equipment Checklist

- Under normal circumstances, the factory recommendation is to have the fireplace serviced at least once a year. Fireplaces meeting the following conditions should have more frequent service:
  - Fireplaces installed in commercial/public spaces should be serviced every 3 months.
  - Fireplaces installed in climates near the ocean or in other settings where corrosion buildup is more likely should be serviced every 6 months.
- Thermocouple Maintenance:
  - The thermocouple should be replaced annually or as needed in all commercial installations, and in any residential fireplace where the fireplace is operated for an average of 10 hours or more per day.
  - For all other installations, the thermocouple should be replaced every three years or as needed.
  - Periodically perform visual checks of the pilot and burner flames. The pilot should be a steady flame, touching the electrode/thermocouple. The burner flames should be blue at the base with a combination of blue/yellow at the body and tips.



© Ortal 2026  
Version 2.1, March 2026  
SKU: KPMANOUTTRV2.1

Ortal USA  
2152 Citygate Drive, Columbus, OH 43219  
T: (818) 238-7000 | F: (818) 678-0541  
info@ortalheat.com | www.ortalheat.com