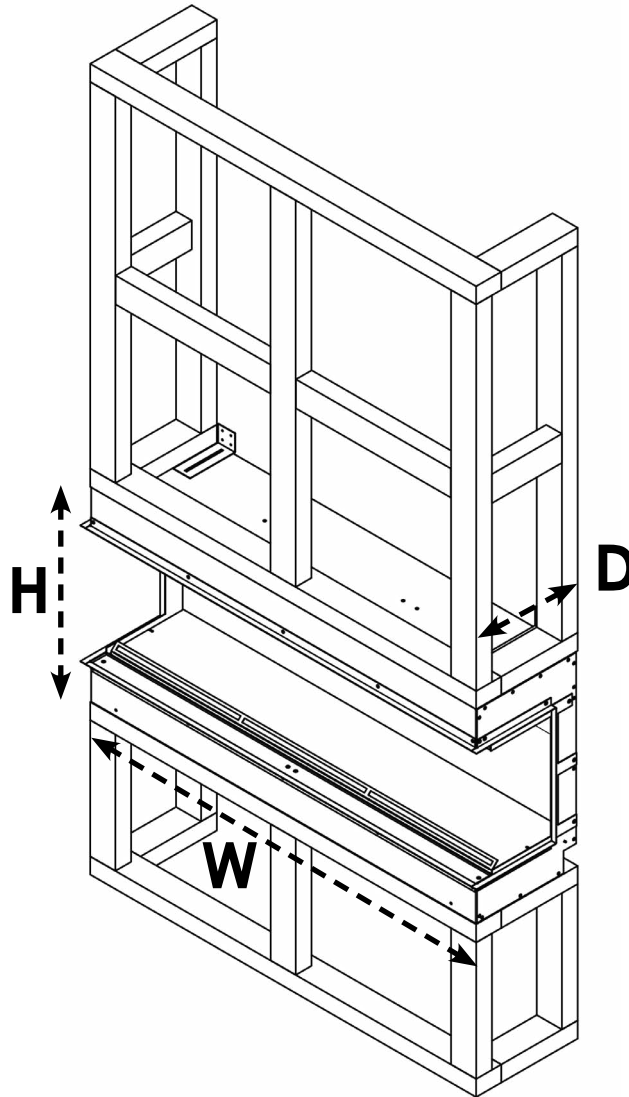


FRAMING INFORMATION: E-LECTRA 32"

evonicfires

FRAMING DIMENSIONS



FRAMING

Fireplace	A. Height	B. Width	C. Depth
E-lectra 32	30"	32 ⁷ / ₈ "	11 ³ / ₄ "

- Note:** 1. Drawings are not to scale
2. All dimensions in inches
3. No weight can be transferred to the fireplace.

ALL FRAMING MUST BE SELF-SUPPORTED