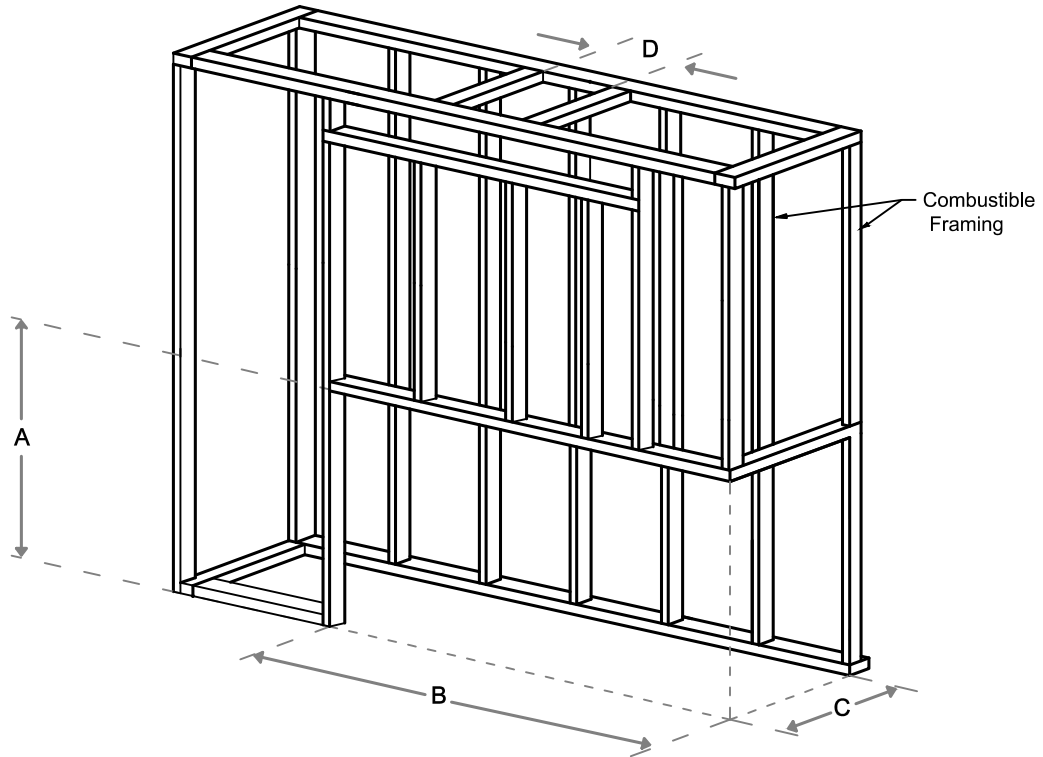


Framing Information: 77HH Corner (RS/LS) (Double Glass)



Framing Dimensions



Model	A	B	C	D
77HH RS/LS	49 1/2"	87 3/16"	22 3/4"	Refer to Vent Manufacturer's Firestop Dimensions

Note :

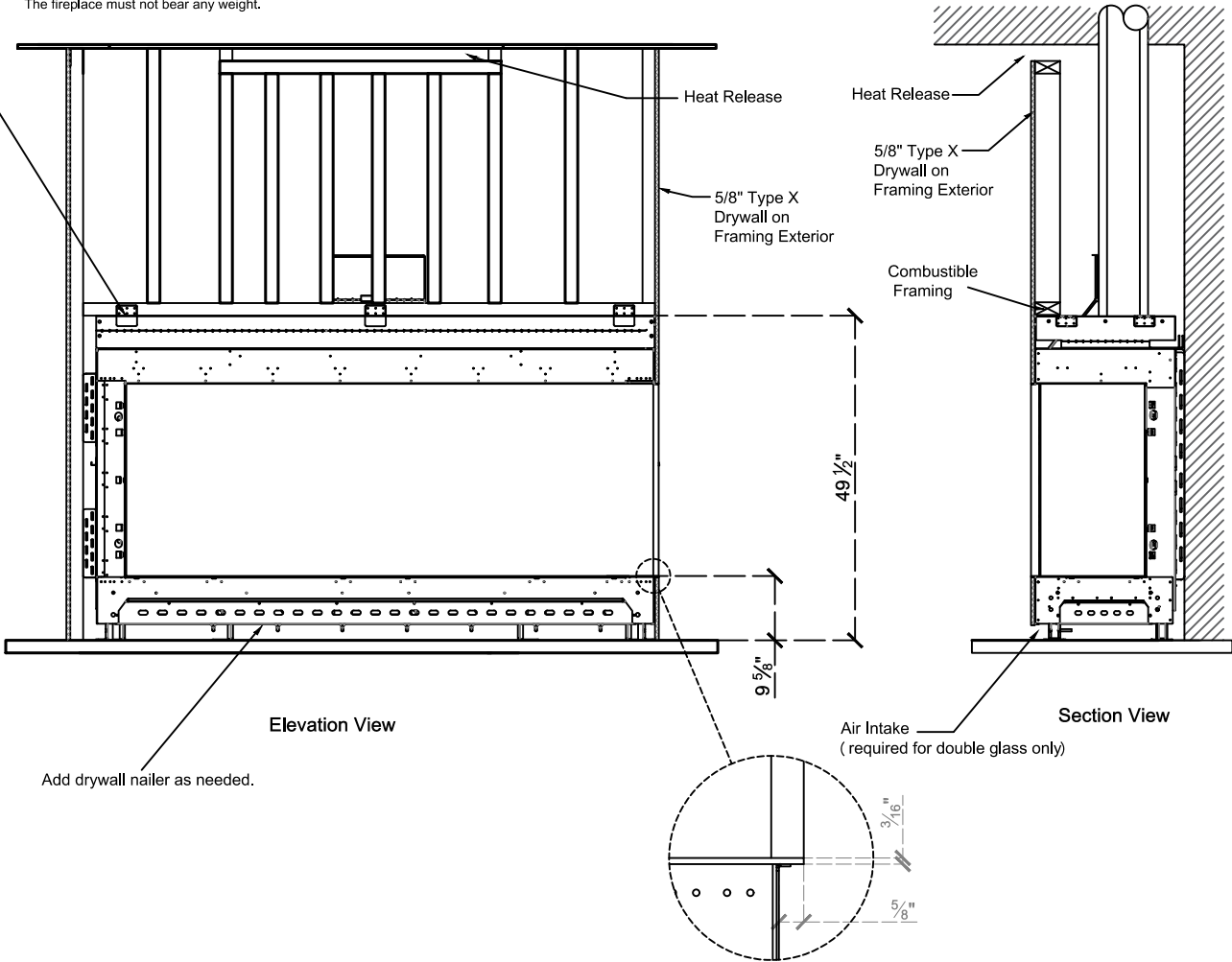
1. Drawings are not to Scale
2. All dimensions in inches
3. No weight can be transferred to the fireplace. **ALL FRAMING MUST BE SELF-SUPPORTED.**

Framing Information: 77HH Corner (RS/LS) (Double Glass)



Framing Details

Nailing flanges fold up and connect to the framing.
ALL FRAMING MUST BE SELF-SUPPORTED.
 The fireplace must not bear any weight.



Add drywall nailer as needed.

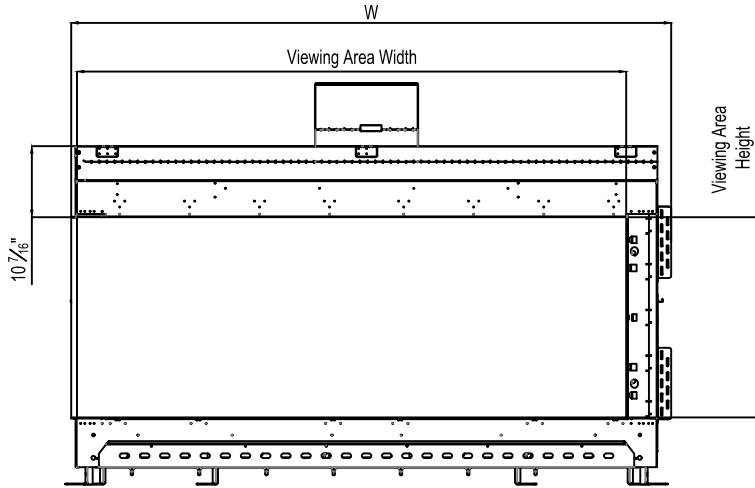
The valve can be moved 36" from the center of the fireplace in any direction

- Note :
1. Drawings are not to Scale
 2. All dimensions in inches
 3. No weight can be transferred to the fireplace. **ALL FRAMING MUST BE SELF-SUPPORTED.**

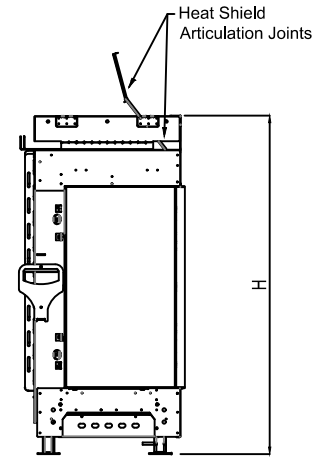
Framing Information: 77HH Corner (RS/LS) (Double Glass)



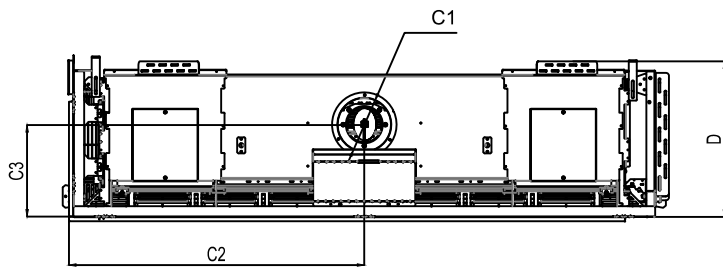
Fireplace Dimensions



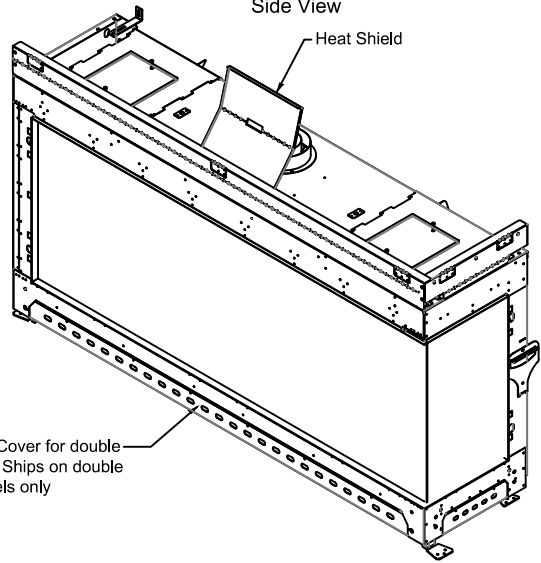
Front View



Side View



Top View



Model	(H) Height	(W) Width	(D) Depth	C1	C2	C3	Viewing Area	
							Front	Side
77HH RS/LS	49 1/2"	87 3/16"	22 3/4"	7 7/8"	42 9/16"	13 1/2"	80 9/16" W X 29 1/2" H	17 1/2" W X 29 1/2" H

Note : 1. Drawings are not to Scale
 2. All dimensions in inches